

NOTE

This manual documents the Model 732A and its assemblies at the revision levels shown in Appendix 7A. If your instrument contains assemblies with different revision letters, it will be necessary for you to either update or backdate this manual. Refer to the supplemental change/errata sheet for newer assemblies, or to the backdating sheet in Appendix 7A for older assemblies.

732A

DC Reference Standard

Instruction Manual

P/N 645051
MAY 1983

©1983, John Fluke Mfg. Co., Inc., all rights reserved. Litho in U.S.A.



CHANGE/ERRATA INFORMATION

ISSUE NO: 3 7/85

This change/errata contains information necessary to ensure the accuracy of the following manual. Enter the corrections in the manual if either one of the following conditions exist:

1. The revision letter stamped on the indicated PCB is equal to or higher than that given with each change.
2. No revision letter is indicated at the beginning of the change/errata.

MANUAL

Title: 732A
Print Date: May 1983
Rev.- Date: ---

C/E PAGE EFFECTIVITY

Page No.	Print Date
1	6/84
2	6/84
3	6/84
4	7/84
5	7/84
6	7/84
7	7/84
8	7/84
9	7/84
10	7/85
11	7/85
12	7/85
13	7/85
14	7/85
15	7/85
16	7/85
17	7/85

ERRATA #1

On page 1-1, Table 1-1:

CHANGE:	M07-200-601	Full Width Rack Mount Kit
TO:	M07-200-603	Full Width Rack Mount Kit
CHANGE:	732A-7001	Battery Pack
TO:	732A-7005	Battery Pack

ERRATA #2

On page 2-5, following paragraph 2-22, add:

CAUTION

Unit must be in upright position during charging to avoid possible venting of electrolyte. The battery unit should be kept in upright position at all times except during transit.

ERRATA #3

On page 2-6, paragraph 2-35:

Change the last sentence of the paragraph to read,

The actual operating value is shipped with the instrument and should be recorded in the instrument data log as soon as possible.

Add the following paragraph:

2-35a. In order to ensure optimum performance of the 732A, the value of the oven temperature thermistor should be recorded to three significant digits whenever the 732A is used and daily otherwise. The thermistor drift rate is normally ± 50 ohms/year in the first year and ± 10 ohm/year thereafter. A long term temperature shift of 5% in thermistor resistance would not be excessive (in terms of actual temperature drift of the oven). On a short term basis, variations of ± 20 ohms from day to day indicate probable oven problems. Changes of ± 100 ohms short term would affect the 1.0 and 1.018V outputs appreciably but would be unlikely to have appreciable effect on the 10V output.

CHANGE #1 - 18027

Rev.-C, A5 Reference PCB Assembly (732A-4001)

On page 5-18, Table 5-6, change the following REF DES's,

FROM:	CR1, CR2, CR6 and CR8
TO:	VR1, VR2, VR6 and VR8

On page 5-21, Figure 5-6 and page 8-10, Figure 8-5, change the following REF DES's,

FROM: CR1, CR2, CR6 and CR8
TO: VR1, VR2, VR6 and VR8

On page 8-11, Figure 8-5, change the following REF DES's,

FROM: CR1, CR2, CR6 and CR8
TO: VR1, VR2, VR6 and VR8

CHANGE #2 - 18068

Rev.-C, A4 Regulator PCB Assembly (732A-4002)

On page 5-16, Table 5-5:

CHANGE: CR1 | DIODE, ZEN, UNCOMP | 473744 | 07910 | 1N5240 | 2 | 1
TO: VR1,VR2 | DIODE, ZEN UNCOMP | 473744 | 07910 | 1N5240 | 3 | 1

CHANGE: CR9 | ...
TO: VR9 | ...

On page 5-17, Figure 5-5, and page 8-8, Figure 8-4, change the REF DES's,

FROM: CR1, CR2, CR9
TO: VR1, VR2, VR9

Rev.-B, A5 Reference PCB Assembly (732A-4001)

On page 5-21, Figure 5-6, change the REF DES's,

FROM: CR1, CR2, CR9
TO: VR1, VR2, VR9

CHANGE #3 - 19150

Rev.-D, A5 Reference PCB Assembly (732A-4001)

On page 5-19, Table 5-6,

CHANGE: R13* | RES, WW, 125 $\pm 0.5\%$, 1/2W | 213934 | 89536 | 213934 | 1
TO: R13* | RES, WW, 125 $\pm 0.5\%$, 1/2W | 711184 | 89536 | 711184 | 1

CHANGE #4 - 19167

Rev.-E, A3 Pre-Regulator PCB Assembly (732A-4003)

On page 5-13, Table 5-4,

CHANGE: R1 | RES, WW, 10M $\pm 0.5\%$, 1/2W | 212191 | 89536 | 212191 | 1
TO: R1 | RES, WW, 10M $\pm 0.5\%$, 1/2W | 717892 | 89536 | 717892 | 1

CHANGE #5 - 19382

Rev.-C, A6 Battery Module PCB Assembly (732A-4004)

The following change documents the change over from the integral output lead batteries to the spade lug batteries.

On page 5-22, Table 5-7,

CHANGE: BT1-BT4| BATTERY, 6V GEL-CELL| 501379| 89536| 501379| 4
 TO: BT1-BT4| BATTERY, 6V GEL-CELL| 739961| 89536| 739961| 4

DELETE: J1-4|....

ADD: J10| CONNECTOR RECEPTACLE| 720854| 89536| 720854| 1

ADD: W1| WIRE ASSEMBLY, RED | 738377| 89536| 738377| 1

ADD: W2| WIRE ASSEMBLY, BLACK| 738385| 89536| 738385| 1

On page 5-23, Figure 5-7, replace the entire figure with Figure 1.

On page 8-4, Figure 8-2, replace the A6 Battery Module portion of the figure (732A-1604), with the top portion of Figure 1.

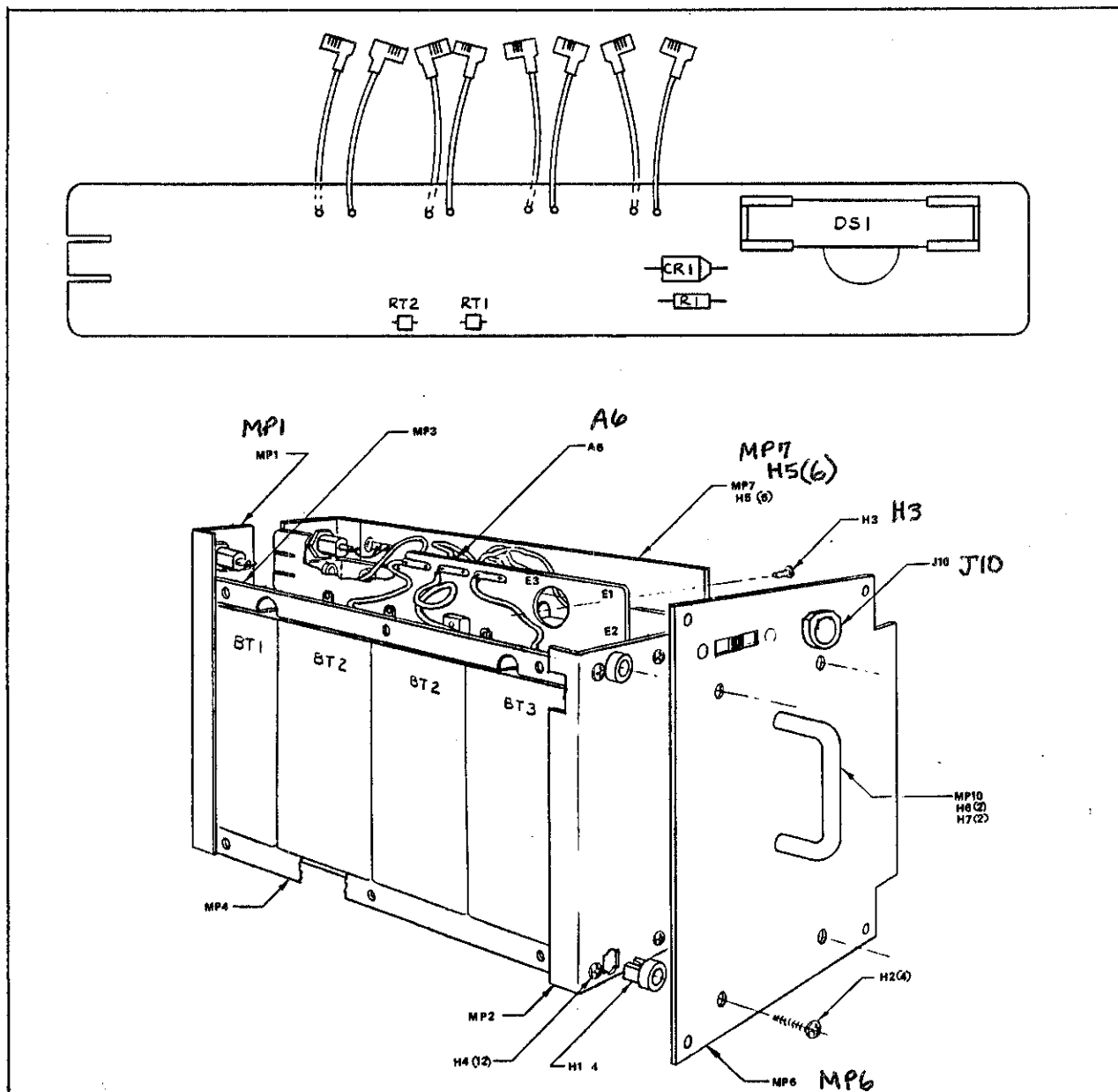


Figure 1.

On page 8-5, Figure 8-2, delete J1, J2, J3 and J4 as shown in Figure 2.

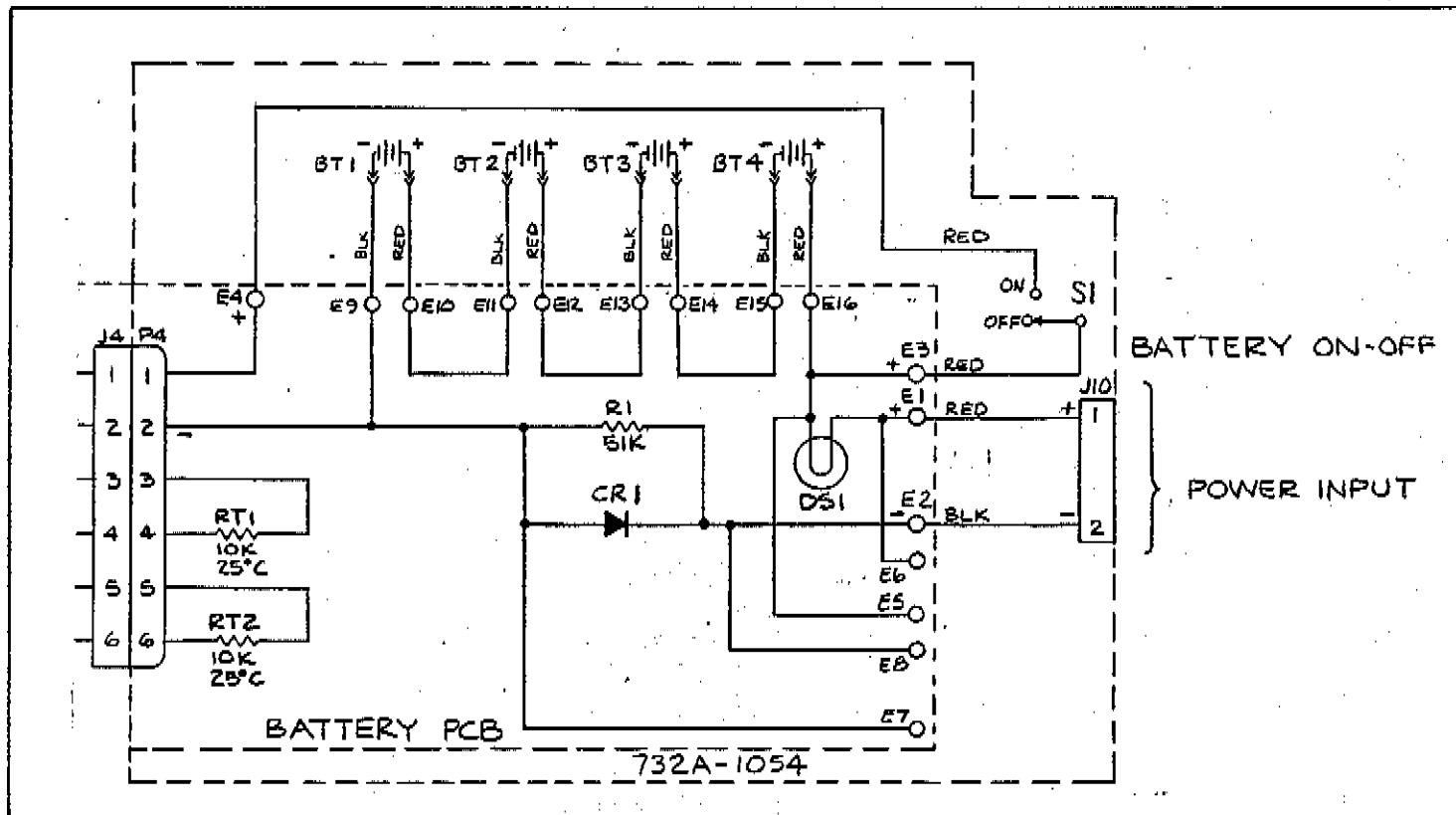


Figure 2.

CHANGE #6 - 19391, 19395

The following change documents the replacement of banana jacks with a special external supply connector.

On page 5-3, Table 5-1,

CHANGE: A6| BATTERY MODULE ASSEMBLY| 651000| 89536| 651000| 1
 TO: A6| BATTERY MODULE ASSEMBLY| 732628| 89536| 732628| 1

ADD: J1| MATING CONNECTOR PLUG| 720847| 89536| 720847| 2

On page 2-2, paragraph 2-15:

CHANGE: ... charge the internal backup battery through connectors ...
 TO: ... charge the internal backup battery through the external input power connector (see Table 2-2.)...

ADD: A connector plug (P/N 720847) for the external power input connector is provided with each 732A Battery Module. To wire the plug, use the following procedure.

1. Remove the strain relief nut and the strain relief from the plug housing.

2. Push the contact header out of the plug housing in the direction of the strain relief.
3. Solder a contact onto each wire using awg 19 to 22 gage wire or 2 conductor cable with an outside diameter smaller than .216 inches. (See Figure 2-1a.)
4. Install the strain relief nut and the strain relief onto the cable in correct order and orientation.
5. Insert one soldered contact into the contact header hole no.1 (+) and the other into hole no.2 (-).
6. Reassemble the plug.

On page 2-2, add Figure 2-1a. as shown in Figure 3.

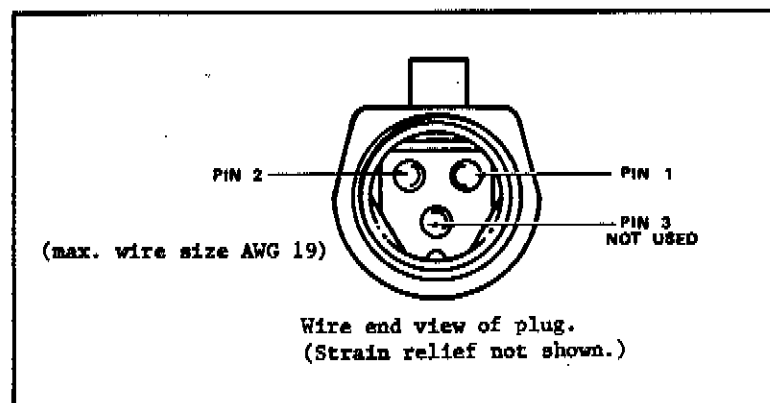


Figure 3.

On page 2-3, Figure 2-2, replace item 6 (dual power input banana jacks) with a single external power input connector as shown in Figure 4.

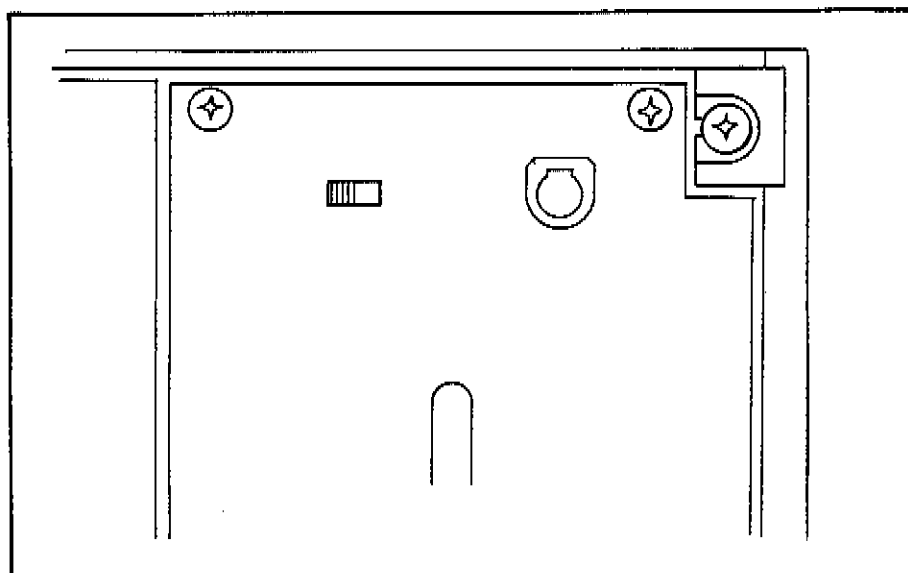


Figure 4.

On page 2-4, Table 2-2,

Replace the FEATURE NAME and the DESCRIPTION for ITEM NO.6 with,

EXTERNAL POWER INPUT connector External power input connector for connecting an external power source (24-40V dc or 24-30V ac, 50-440 Hz). The internal back-up battery voltage may also be measured at this connector.

CHANGE #7 - 18010

On page 3-2, add:

3-29. Overtemperature Protection

3-30. Protection against overtemperature is provided by a 58 C thermal fuse (F2) which is placed directly on top of the ovenized reference module. When F2 opens, it interrupts the +18.6V supply connection to the oven heater. It also disconnects the +18.6V from the latch circuit Q6 on the Regulator PCB causing the IN CAL LED to go out and stay out until the fault is corrected.

On page 3-3/3-4, Figure 3-1, add the thermal fuse (F2) as shown in Figure 5.

On page 5-3, Table 5-1,

ADD: F2| FUSE, THERMAL 58°C| 715110| 89536| 715110| 1

On page 5-5, Table 5-1,

CHANGE: RT1|...
TO: RT3,RT4|...

On page 5-8, Figure 5-1 add F2 to the OVEN TOP VIEW as shown in Figure 6.

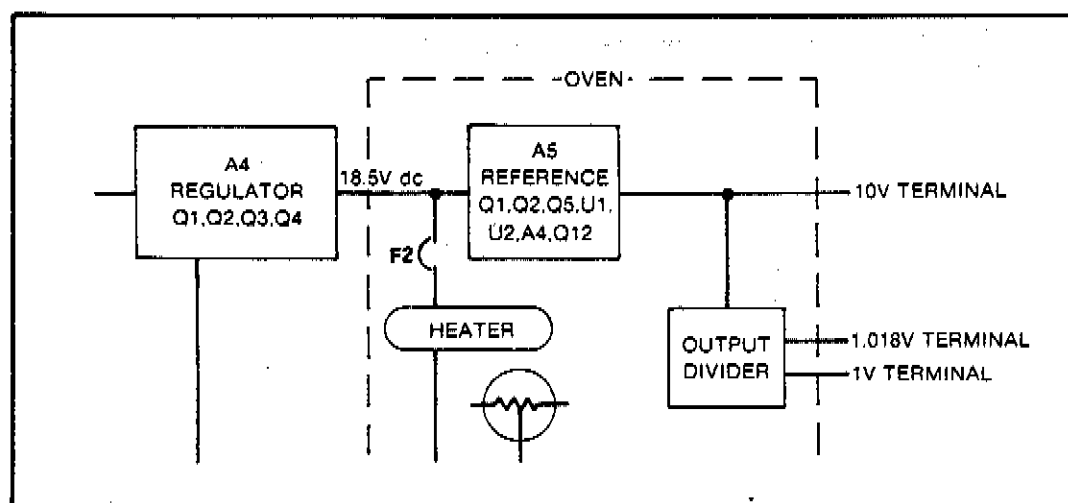


Figure 5.

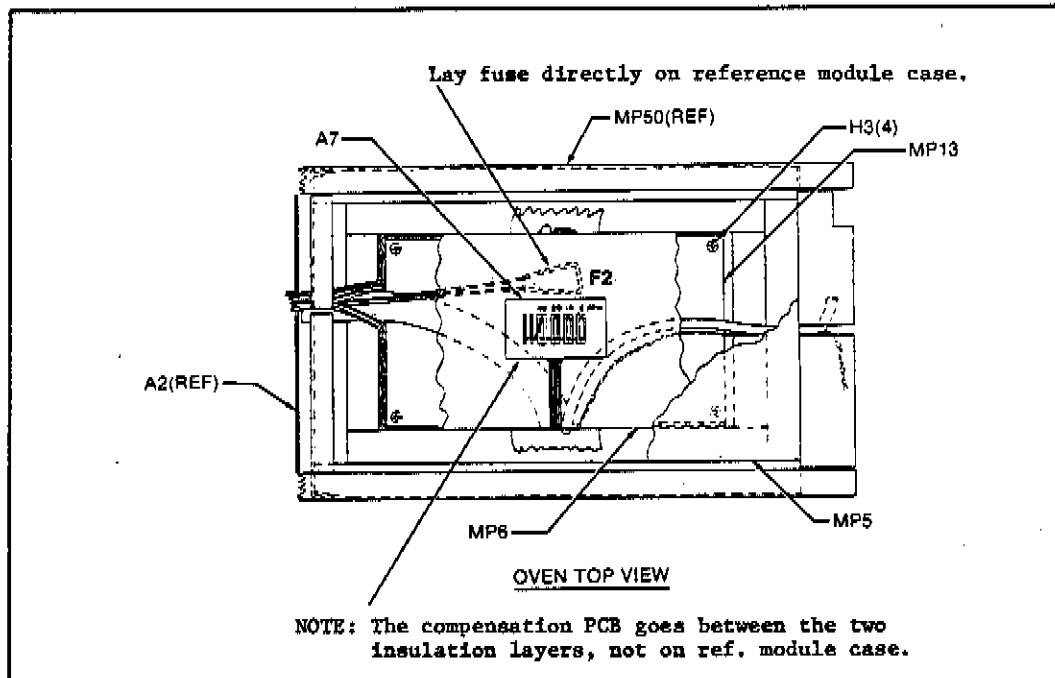


Figure 6.

On page 5-9, Figure 5-1:

In the OVEN ASSEMBLY VIEW I

CHANGE: RT1(REF)
TO: RT3

In the OVEN ASSEMBLY VIEW II

CHANGE: RT1
TO: RT4

On page 8-3, Figure 8-1, change the schematic to include F2 as shown in Figure 7.

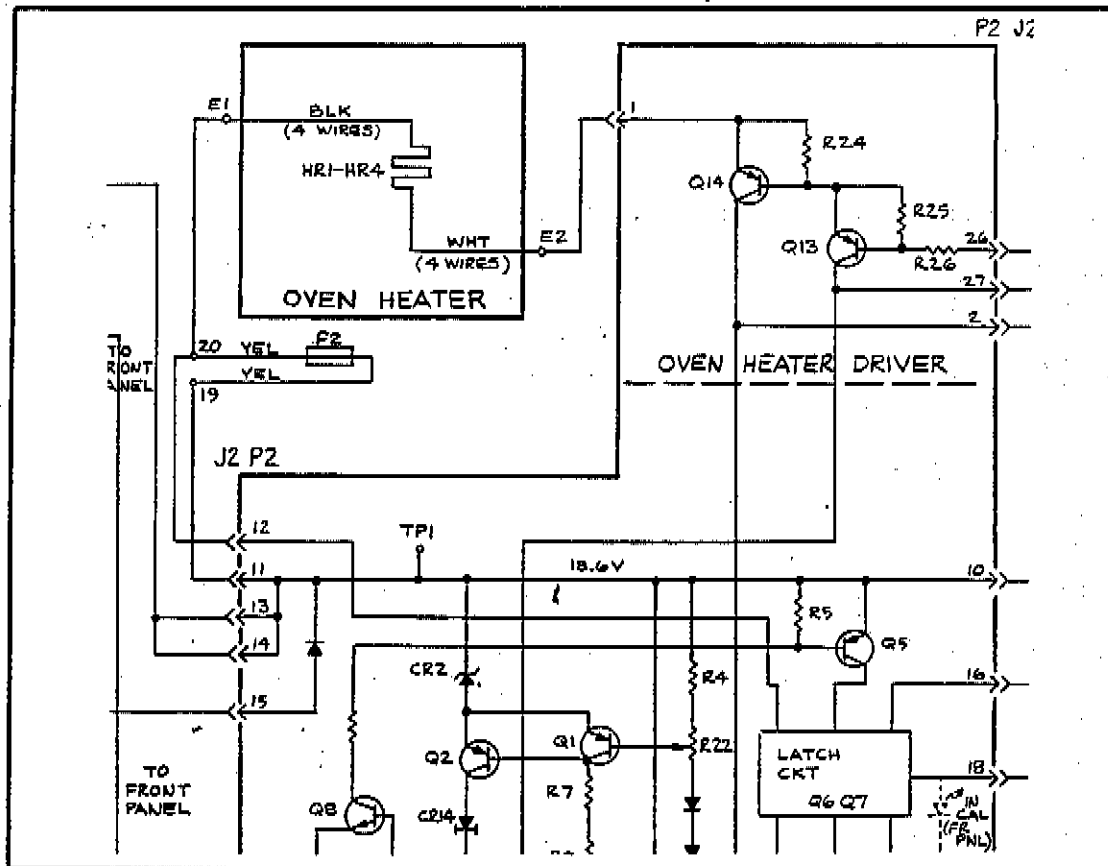


Figure 7.

ERRATA #4

On page 8-9, Figure 8-4, change the schematic as shown in Figure 8.

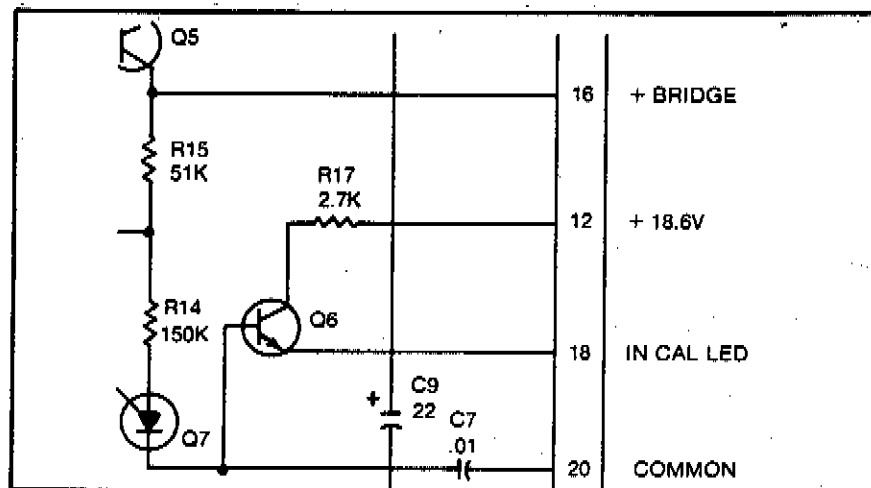


Figure 8.

ERRATA #5

On page 2-8, Figure 2-8, show a connection between OUTPUT LO and GND on the Precision Divider.

ERRATA #6

On page 4-2, Table 4-1:

Change the Voltage Divider PROCEDURE,

FROM: C
TO: B,C

Change the Fluke P/N of the Rheostat,

FROM: 484089
TO: 501601

ERRATA #7

On page 4-8, paragraph 4-30, step 1, replace substep c, with,

c. Set the BATTERY PWR switch to ON. The ac line current should be less than 0.35A. If the battery is very low, the BTRY CHG indicator will blink.

ERRATA #8

On page 4-14, paragraph 4-45:

In the first sentence,

CHANGE: Figure 4-8
TO: Figure 4-12

In step 12,

CHANGE: A2
TO: A3

ERRATA #9

On page 5-4, Table 5-1, add the following to the end of MP5 and MP6 descriptions,

(Includes top, bottom and 2 sides.)

ERRATA #10

On page 4-14, following paragraph 4-45, step 26, add:

4-45A. BATTERY CHARGING NOTES

4-45b. Battery Charge

4-45c. To check the charging and discharging current on the Battery Pack, connect a milliammeter to the two black wires on the Battery ON/OFF switch. Then set the ON/OFF switch to OFF.

4-45d. The charger has two modes: constant current mode and constant voltage mode. In the constant current mode, charging current should be about 200 to 400 mA if battery is not fully charged. This mode lasts until battery voltage reaches about 31V at which time it switches to the constant voltage mode (27V) for a few milliamps trickle charge.

4-45e. Battery Discharge

4-45f. At 23°C, the oven at normal temperature, and with the line cord unplugged, the nominal current drain from the battery is approximately 260 mA.

4-45g. Individual Battery Checkout

4-45h. Individual batteries will accept a charge of 300 to 400 mA at 7.75V max (31V divided by 4) if their terminal voltage is below 6V.

ERRATA #11

On pages 4-9 through 4-13, Figures 4-6 through 4-11, delete the single connection between NULL DETECTOR GRD and GND and add a strap between NULL DETECTOR GRD and LO terminals.

ERRATA #12

On page 4-14, paragraph 4-45, add the following step:

27. For a final adjustment of the battery-charging voltage, perform the following steps:
 - a. Install a known-good battery pack into the 732A and set the 732A in trickle charge mode (the 732A CHARGE light is not lit).
 - b. Connect a multimeter to the 732A rear panel J10 connector.
 - c. Measure the battery-charging voltage. The voltage should measure between 25.8 and 27 volts. If the voltage is not within the specified limits, adjust R20 on the 732A A3 PCB until the voltage is within the limits.

NOTE

After making an adjustment wait a few minutes to ensure the battery voltage has settled to the new value.

ERRATA #13

On page 4-16, add title 4-55 and paragraph 4-56.

4-55. Repairing the 1.0V and 1.018V Divider Strings

4-56 The 1.0V and 1.018V divider strings are field repairable. If you find the hermetically sealed resistors, R45/R47 or R44/R46 defective, (i.e., you can not adjust the outputs for a nominal value), to replace them it is necessary to reselect trim resistors after installation of the new resistors. For the 1.0V tap, the trim resistors selection process must be done at the oven temperature; which makes it necessary to extend wires from the oven assembly to a variable resistance. Perform the following procedure to select trim resistors.

NOTE

The 1.018V tap trim resistors may be selected without installing the unit back into the oven.

1. To gain access to the inside of the oven assembly, perform the oven removal and disassembly instructions starting at paragraph 4-17.
2. After replacing the hermetically sealed resistor pack on the A5 PCB, lift one end of one of the trim resistors (R50/R51 or R52/R53) and insert that end into the test circuit. Using 2 ft. long test leads, connect a 0.5 ohm resolution variable resistance between the appropriate test points (TP11/12 or TP13/14). Place the cover on the oven assembly and replace top cover insulating material. Apply power to the unit and continue the adjustment procedure when the oven temperature has stabilized.
3. Adjust R59 or R58 to get a reading of 1.0V or 1.018V (respectively) by adjusting the resistor from one extreme to the other and noting the change in output level to the nearest 0.3 μ V. This may be done by nulling against another stable source, or by using a DMM with sufficient resolution and transfer accuracy, (i.e., 0.1 μ V resolution and 1 ppm transfer accuracy).

NOTE

The absolute accuracy of the 1.0V and 1.018V taps is not critical. What is critical is their ratio to the 10V output. If you use the 10V tap as a reference and use a Fluke 720A Kelvin-Varley Divider to establish the 1.0V and 1.018V levels, the correct results can be obtained without knowing the absolute accuracy of the tap voltage level.

4. Adjust the variable resistors to obtain the correct nominal ratio output (1.0V or 1.018V). Remove power from the 732A and remove the leads from the test points. Accurately measure the lead and attached resistance.

5. Based on the measured variable resistance, select the appropriate trim resistor from Table 4-4.

NOTE

When adjusting the 1.0V tap, select two resistors from Table 4-4 and add them to get the required resistance. For the 1.08V tap, measure each installed trim resistor and select only one to give the required resistance.

Table 4-4. 1.0V and 1.018V Tap Trim Resistors

RESISTOR VALUE	FLUKE STOCK NO.	RESISTOR VALUE	FLUKE STOCK NO.	RESISTOR VALUE	FLUKE STOCK NO.	RESISTOR VALUE	FLUKE STOCK NO.
15	215038	65	214536	114	214049	164	213546
16	215020	68	214528	115	214031	165	213538
17	215012	67	214510	116	214023	166	213520
18	215004	68	214502	117	214015	167	213512
19	214999	69	214494	118	214007	168	213504
20	214981	70	214486	119	213991	169	213496
21	214973	71	214478	120	213983	170	213488
22	214965	72	214460	121	213975	171	213470
23	214957	73	214452	122	213967	172	213462
24	214940	74	214445	123	213959	173	213454
25	214932	75	214437	124	213942	174	213447
26	214924	76	214429	125	213934	175	213439
27	214916	77	214411	126	213926	176	213421
28	214908	78	214403	127	213918	177	213413
29	214890	79	214395	128	213900	178	213405
30	214882	80	214387	129	213892	179	213397
31	214874	81	214379	130	213884	180	213389
32	214866	82	214361	131	213876	181	213371
33	214858	83	214353	132	213868	182	213363
34	214841	84	214346	133	213850	183	213355
35	214833	85	214338	134	213843	184	213348
36	214825	86	214320	135	213835	185	213330
37	214817	87	214312	136	213827	186	213322
38	214809	88	214304	137	213819	187	213314
39	214791	89	214296	138	213801	188	213306
40	214783	90	214288	139	213793	189	213298
41	214775	91	214270	140	213785	190	213280
42	214767	92	214262	141	213777	191	213272
43	214759	93	214254	142	213769	192	213264
44	214742	94	214247	143	213761	193	213256
45	214734	95	214239	144	213744	194	213249
46	214726	96	214221	145	213736	195	213231
47	214718	97	214213	146	213728	196	213223
48	214700	98	214205	147	213710	197	213215
49	214692	99	214197	148	213702	198	213207
50	214684	100	214189	149	213694	199	213199
51	214676	101	214171	150	213686	200	213181
52	214668	102	214163	151	213678	300	227686
53	214660	103	214155	152	213660	400	131698
54	214643	104	214148	153	213652	500	195388
55	214635	105	214130	154	213645	600	279711
56	214627	106	214122	155	213637	700	279703
57	214619	107	214114	156	213629	800	341701
58	214601	108	214106	157	213611	900	228742
59	214593	109	214098	158	213603	1000	131706
60	214585	110	214080	159	213595	1100	238949
61	214577	111	214072	160	213587	1200	278077
62	214569	112	214064	161	213579	1300	278069
63	214561	113	214056	162	213561	1400	278051
64	214544			163	213553		

CHANGE #8

On page 5-19, Table 5-6,

CHANGE: R8| RES, REF. AMP DIVIDER SET| 346304| 89536| 346304| 1
 TO: R8| RES, REF. AMP DIVIDER SET| 715706| 89536| 715706| 1

CHANGE #9 - 20128

Rev. E, A5 Reference PCB Assembly (732A-4001)

On page 5-20, Table 5-6, add the following items:

A5A8| PIGGYBACK PCB| 751560| 89536| 751560| 1

J1-J5| CONNECTOR, INAC, PIN, SINGLE PWB, 0.025 SQ| 601914| 00779
 | 9-87022-9| 5

R44,46| MATCHED RESISTOR SET, 1,0V| 751917| 89536| 751917| 2

R45,47| MATCHED RESISTOR SET, 1.018V| 751925| 89536| 751917| 2

MP2| SPACER, SWAGED, RNP, BRASS, 2-56X0.375| 342956| 89536| 342956| 1

On pages 5-21 and 8-10, replace Figures 5-6 and 8-5 with Figure 9.

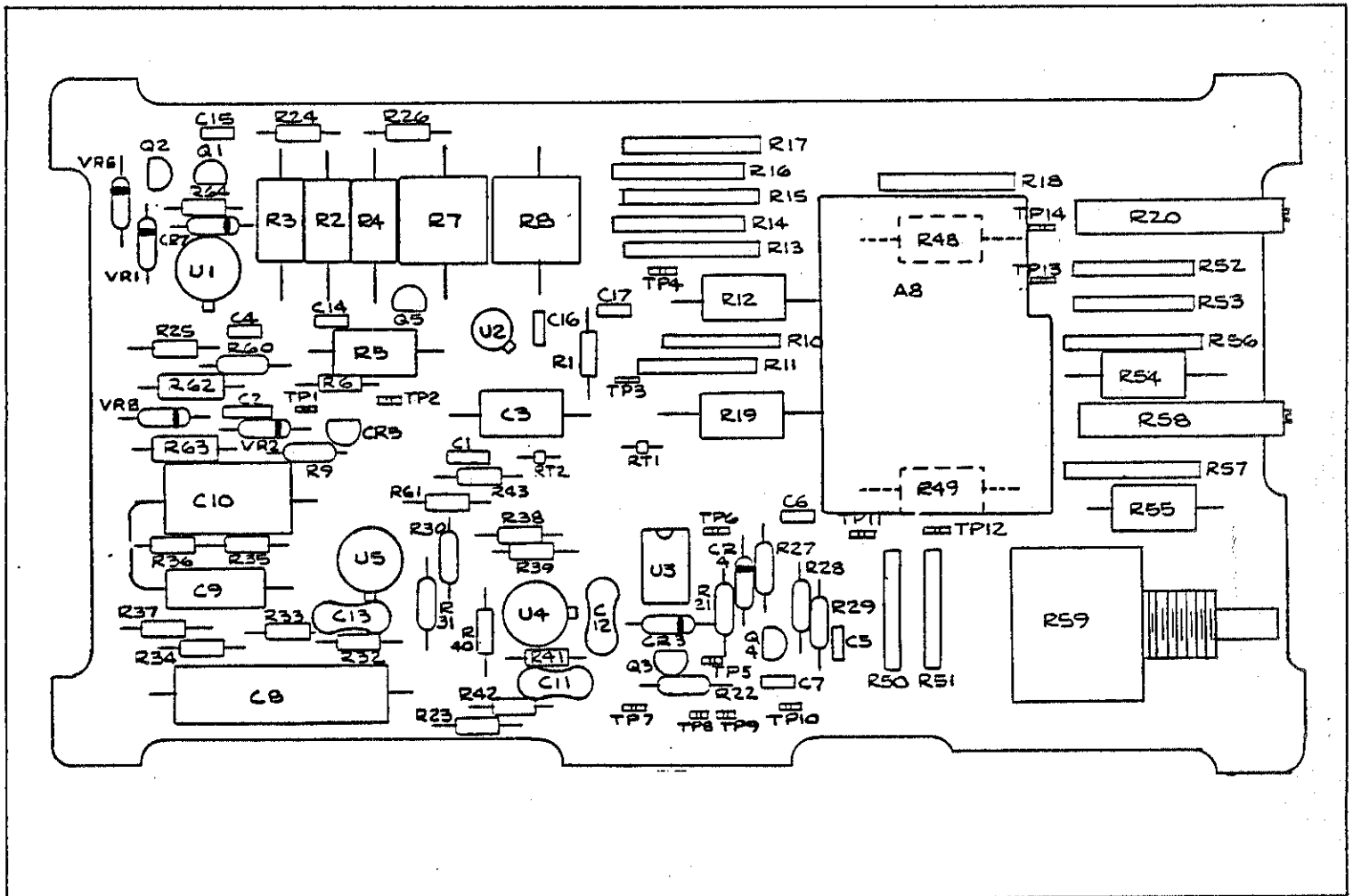


Figure 9.

On page 8-11, change Figure 8-5, as shown in Figure 10, to show the addition of the A8 PCB to the A5 PCB.

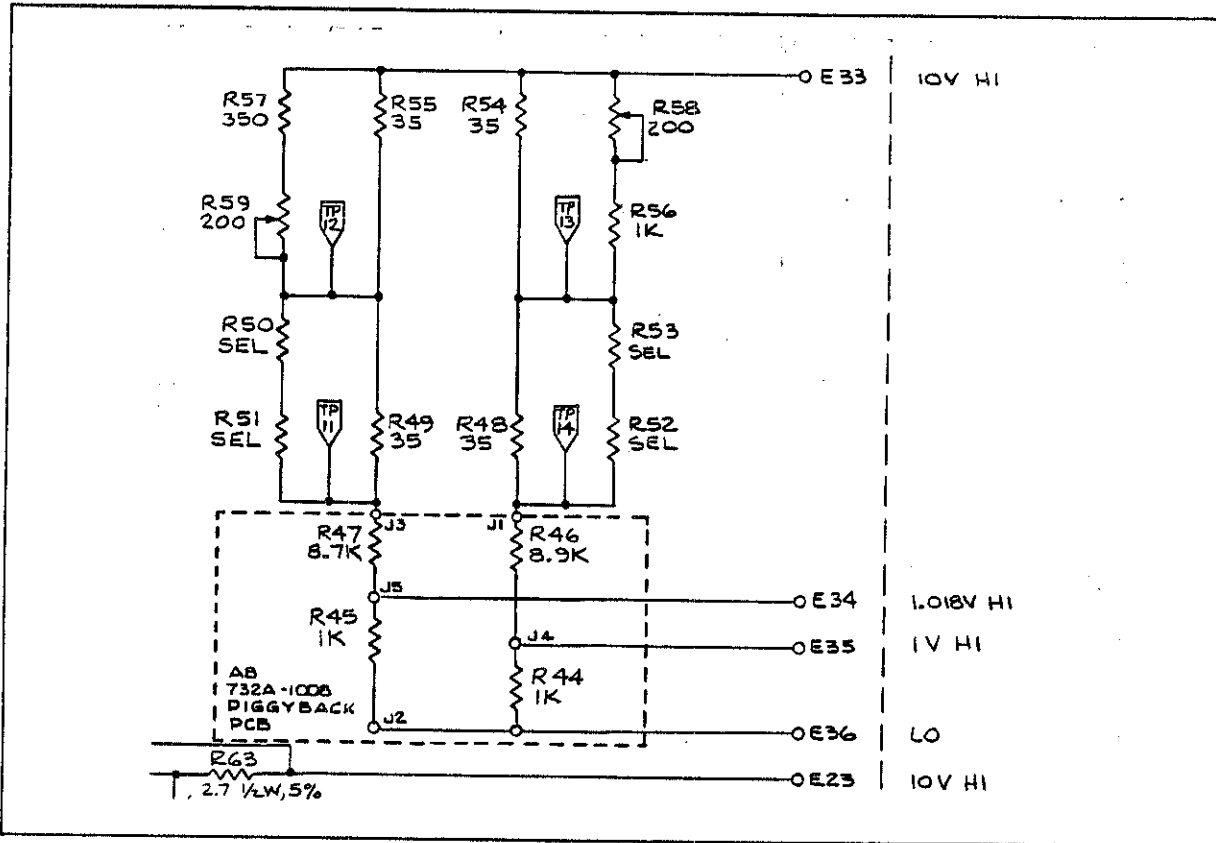


Figure 10.

CHANGE #10 - 22317

Rev.- F, A3 Pre-Regulator PCB Assembly (732A-4003)

On page 5-13, Table 5-4,

ADD: R19| RES, CF, 15K, $\pm 5\%$, 1/4W| 348854| 80031| CR251-4-5P15K| 1

On pages 5-14 and 8-6, Figures 5-4 and 8-3, add R19 as shown in Figure 11.

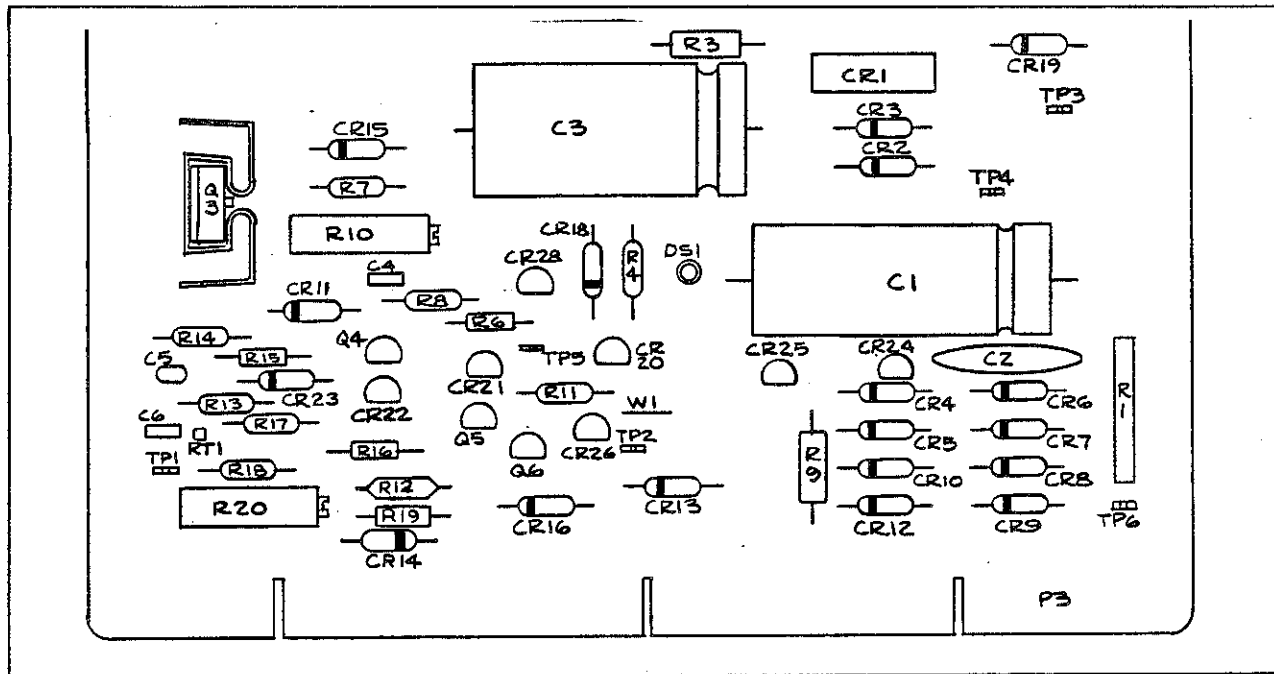


Figure 11.

On page 8-7, Figure 8-3, change the value for R8 from 402K to 402, and add R19 as shown in Figure 12.

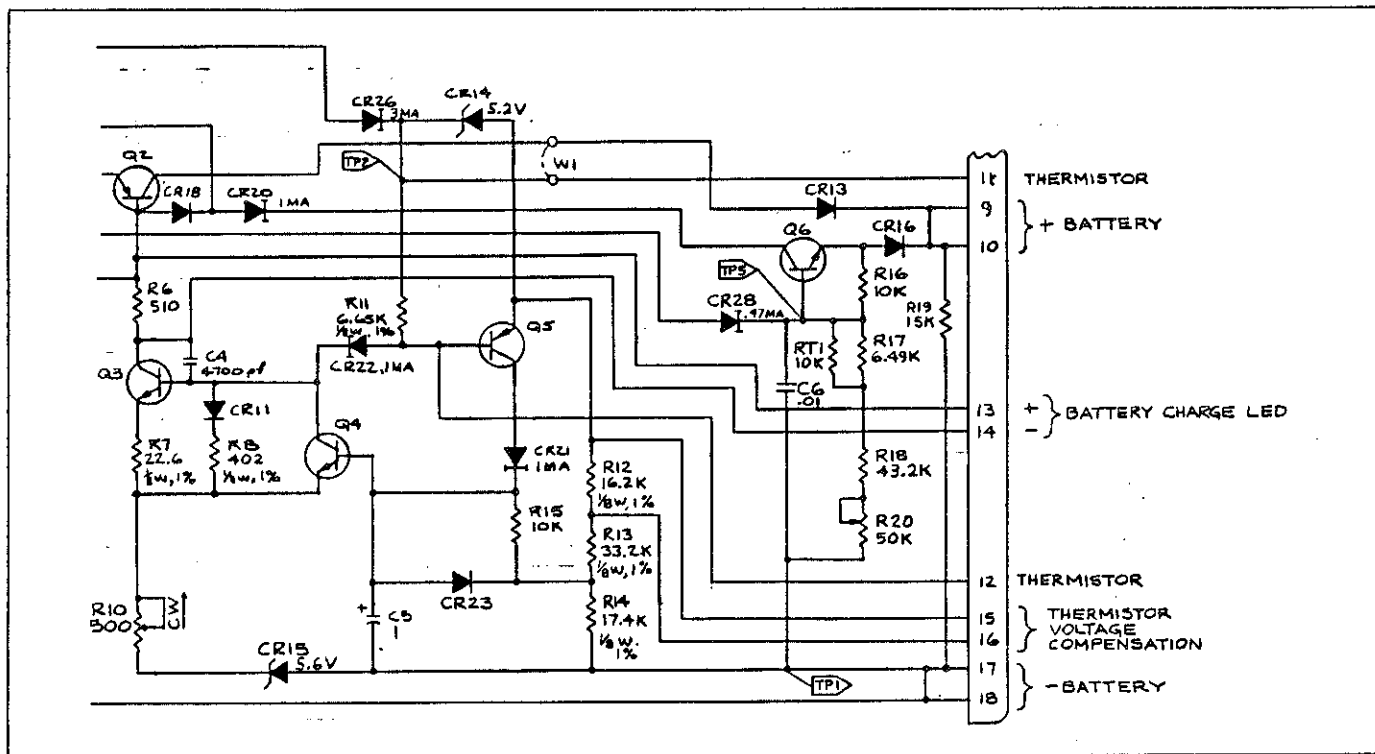


Figure 12.

Table of Contents

SECTION	TITLE	PAGE
1	INTRODUCTION AND SPECIFICATIONS	1-1
	1-1. INTRODUCTION	1-1
	1-8. SPECIFICATIONS	1-1
2	OPERATION	2-1
	2-1. INTRODUCTION	2-1
	2-3. SHIPPING INFORMATION	2-1
	2-7. INSTALLATION	2-1
	2-9. FRONT AND REAR PANEL FEATURES	2-1
	2-11. OPERATING NOTES	2-1
	2-12. Introduction	2-1
	2-14. Input Power Requirements	2-1
	2-16. AC Line Voltage Selection	2-1
	2-18. Fuse Replacement	2-1
	2-20. Backup Operating Power	2-5
	2-22. Battery Charging	2-5
	2-25. IN CAL Indicator and RESET Terminal	2-5
	2-27. Portability	2-5
	2-29. Guarded Operation	2-5
	2-33. Oven Temperature Thermistor	2-6
	2-36. Minimizing Error Sources	2-6
	2-45. OPERATION	2-7
3	THEORY OF OPERATION	3-1
	3-1. INTRODUCTION	3-1
	3-3. OVERALL FUNCTIONAL DESCRIPTION	3-1
	3-8. CIRCUIT DESCRIPTION	3-1
	3-10. Power Supply (A3 and A4)	3-1
	3-14. Voltage Monitor	3-1
	3-17. Reference Circuit, A5	3-2
	3-20. Output Divider	3-2
	3-22. Oven Controller	3-2
	3-25. Battery Charger	3-2
4	MAINTENANCE	4-1
	4-1. INTRODUCTION	4-1
	4-5. SERVICE INFORMATION	4-1
	4-8. GENERAL MAINTENANCE	4-1

TABLE OF CONTENTS, *continued*

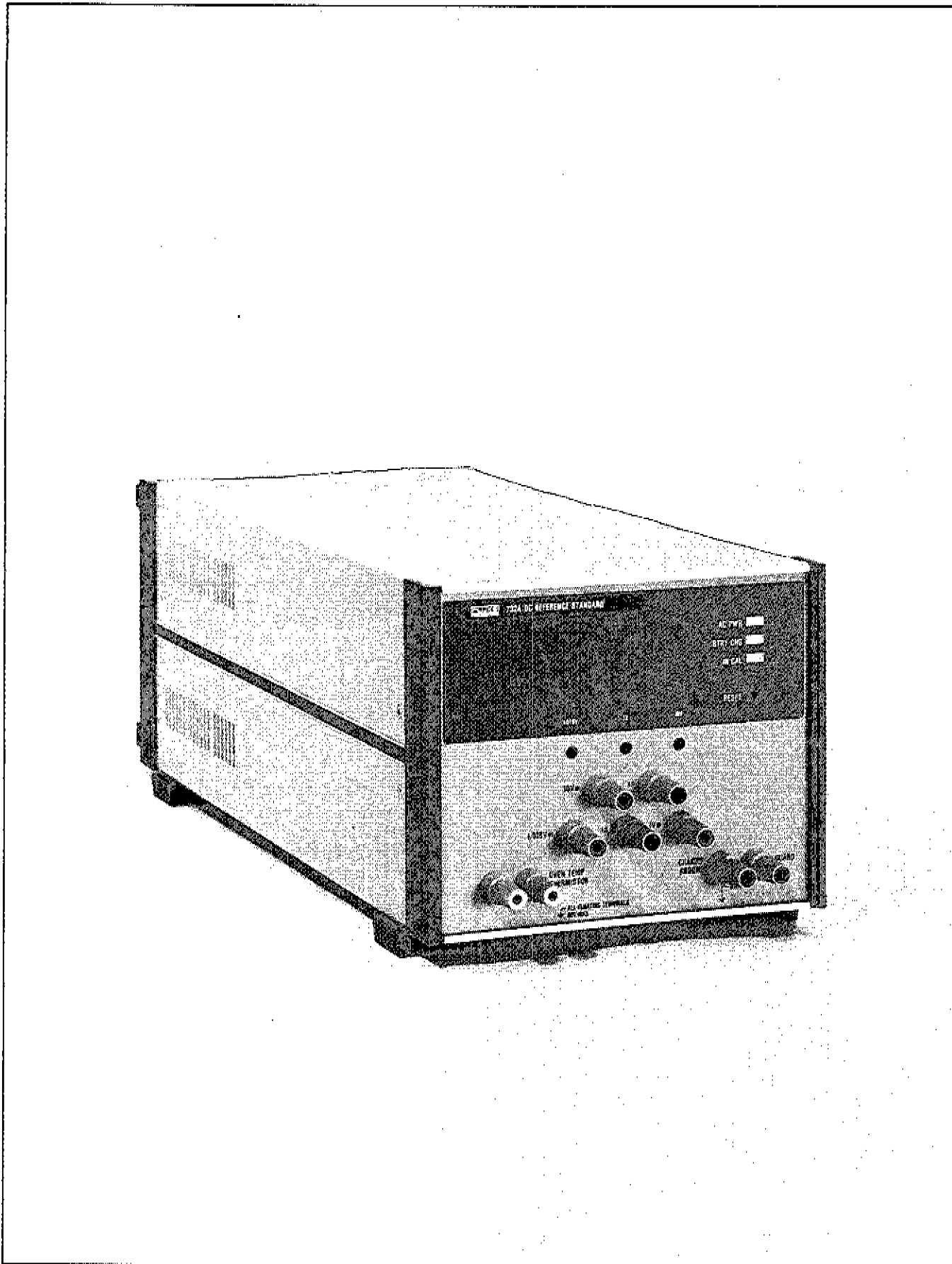
SECTION	TITLE	PAGE
4-9.	Access Procedure	4-1
4-19.	Oven Disassembly	4-6
4-21.	Front Panel Removal	4-6
4-23.	Cleaning	4-6
4-26.	Fuse Replacement	4-6
4-28.	AC Line Voltage Change	4-6
4-30.	ACCEPTANCE TEST	4-8
4-32.	CALIBRATION	4-8
4-35.	Null Verification	4-8
4-37.	Procedure A: Calibrate to Certified 732A	4-9
4-39.	Procedure B: Calibration to Standard Cells	4-10
4-41.	SERVICE/REPAIR PROCEDURES	4-14
4-42.	Introduction	4-14
4-44.	Battery Charger Adjustment Procedure	4-14
4-46.	TROUBLESHOOTING	4-14
4-47.	Introduction	4-14
4-49.	External Symptom Troubleshooting	4-16
4-51.	Internal Voltage Measurements	4-16
4-53.	Oven Repair	4-16
5	LIST OF REPLACEABLE PARTS	5-1
	TABLE OF CONTENTS	5-1
6	ACCESSORIES	6-1
	INTRODUCTION	6-1
6-3.	DUAL MOUNTING FASTENERS (M00-800-5237)	6-1
6-5.	HALF-WIDTH RACK MOUNT KIT (M07-203-601)	6-1
6-7.	FULL-WIDTH RACK MOUNT KIT (M07-200-603)	6-1
6-9.	LOW THERMAL EMF CABLE ASSEMBLY (5440A-7002)	6-1
6-11.	BATTERY PACK (732A-7001)	6-1
6-13.	TRANSIT CASE (732A-7002)	6-1
7	GENERAL INFORMATION	7-1
7A	MANUAL CHANGE INFORMATION	7A-1
8	SCHEMATIC DIAGRAMS	8-1
	TABLE OF CONTENTS	8-1
	INDEX	8-12

List of Tables

TABLE	TITLE	PAGE
1-1.	732A Accessories	1-1
1-2.	732A Specifications	1-2
2-1.	Front Panel Features	2-4
2-2.	Rear Panel Features	2-4
4-1.	Test Equipment Required	4-2
4-2.	External System Troubleshooting	4-17
4-3.	Internal Measurements	4-18

List of Illustrations

FIGURE	TITLE	PAGE
Frontispiece	732A DC Reference Standard	vi
1-1.	732A Outside Dimensions	1-4
2-1.	Front Panel Features	2-2
2-2.	Rear Panel Features	2-3
2-3.	Guard Connections	2-6
2-4.	732A/Precision Divider, Providing A Stable, Adjustable Source	2-8
3-1.	Functional Block Diagram	3-3
4-1.	Cover and Front Panel Screw Locations	4-3
4-2.	Rear Module Mounting Screw Locations	4-3
4-3.	Regulator PCB Assembly Removal	4-4
4-4.	Oven Assembly Removal	4-5
4-5.	AC Line Voltage Conversion on A3 Pre-Regulator PCB Assembly	4-7
4-6.	732A 10V Calibration	4-16
4-7.	Calibration of Point A to 10V Using 732A	4-10
4-8.	Calibration of 1.081V (and 1V) to 732A	4-10
4-9.	732A 10V Calibration Using Standard Cells	4-12
4-10.	732A Procedure 'B' 10V Calibration	4-13
4-11.	Calibration of 1.081V (and 1V) to 732A Procedure 'B'	4-13
4-12.	Battery Charger Test Points and Adjustments on A3 Pre-Regulator PCB Assembly	4-15



732A DC Reference Standard

Section 1

Introduction and Specifications

1-1. INTRODUCTION

1-2. The Fluke Model 732A is a highly stable, rugged, and transportable, solid state, dc voltage reference standard. The 732A has 10V, 1.018V and 1V outputs. These outputs are available on front panel binding posts. The calibration adjustments for the 10V, 1.018V and 1V outputs are accessible through the front panel. A non-conducting adjustment tool is supplied with the unit for this purpose.

1-3. All outputs of the 732A can be shorted indefinitely without damage. Recovery occurs in less than 2 minutes after the short is removed, with no loss of stability.

1-4. The stability and accuracy of the 732A allow direct substitution for saturated standard cells in many applications. The stability specification of 0.5 ppm for 30 days is achieved by enclosing the reference amplifier and output divider of the 732A in a high thermal gain oven. Full accuracy is attained over the specified ambient temperature range of $23 \pm 5^{\circ}\text{C}$ (64.4 to 82.4°F). Variations in oven temperature may be monitored externally via the OVEN TEMP THERMISTOR terminals on the front panel.

1-5. The 732A may be powered from ac line power, an internal rechargeable battery, or an external low voltage ac or dc source. The 732A is designed to be powered continuously, including during storage or shipment. The back-up battery will continue to operate the 732A for up to 12 hours. Either line or battery power may be removed without affecting the output. The battery is kept charged by an internal battery charger when operating from ac line power, or from the external low voltage ac or dc source.

1-6. Various front panel LEDs (indicators) provide a continuous indication of the operating status of the 732A. The AC PWR indicator illuminates in the presence of ac line power. The BTRY CHG indicator is on steadily for normal charging activity, and is off when the battery is charged. The IN CAL indicator monitors the input voltage to the Reference and Oven. Should this voltage fall below that needed to keep the 732A operational, the IN CAL indicator is latched off, indicating a loss of power and standardization. Once power is restored and standardization has been verified, the IN CAL indicator can be reset.

1-7. The 732A may be used on the bench or rack mounted. The 732A is a half-rack width instrument and occupies 4 standard 1.75 inch rack spaces. Accessories for the 732A are listed in Table 1-1 and described in more detail in Section 6 of this manual. There are no options available for the 732A.

1-8. SPECIFICATIONS

1-9. Table 1-2 lists the specifications for the 732A.

Table 1-1. Accessories

MODEL NUMBER	DESCRIPTION
M00-800-523	Dual Mounting Fastener
M07-203-601	Half Width Rack Mount Kit
M07-200-601	Full Width Rack Mount Kit
5440A-7002	Low Thermal EMF Cable Assembly
732A-7001	Battery Pack
732A-7002	Transit Case
732A-7003	Battery Charger

Table 1-2. 732A Specifications

OUTPUT VOLTAGE 10 volts, 1.018 volts, or 1 volt

TRANSFER UNCERTAINTY @18°C to 28°C

Output Voltage	Time Interval			
	30 Days	90 Days	6 Months	1 Year
10V	0.5 ppm	1.5 ppm	3.0 ppm	6.0 ppm
1.018V	1.5 ppm	4.0 ppm	8.0 ppm	12.0 ppm
1V	1.5 ppm	4.0 ppm	8.0 ppm	12.0 ppm

These specifications assume the unit has been continuously powered up with either ac or battery or both. The specifications include effects due to line regulation.

TEMPERATURE COEFFICIENT OF OUTPUT

Range	Temperature Coefficient (ppm/°C)	
	0°C to 18°C	28°C to 40°C
10V	±0.05	±0.05
1.018V	±1.0	±1.0
1V	±1.0	±1.0

OUTPUT ADJUSTMENT AND RESOLUTION

Output	Adj. Range	Adj. Resolution
10V	±50 μ V	<0.05 ppm
1.018V	±50 μ V	<0.25 ppm
1.0V	±5 μ V	<0.10 ppm

OUTPUT IMPEDANCE

10V \leq 5 milliohms

1.018V, 1V \approx 1 kilohm

OUTPUT CURRENT

10V 12 mA maximum

1.018V, 1V Current limited by 1k Ω source impedance

OUTPUT PROTECTION The output may be shorted indefinitely without damage to the instrument. The instrument is protected against high voltage up to 1000V provided that the net current into the 732A does not exceed 30 mA.

OUTPUT NOISE \leq 1 μ V RMS at 10V output, 0.1-10 Hz.

LOAD REGULATION AT

0.12 mA OUTPUT CURRENT \leq 6.0 ppm

LINE REGULATION \leq 0.05 ppm of output for full \pm 10% power line variation.

LINE POWER REQUIREMENTS

Nominal Setting	Voltage Limits	Fuse
100V	90-110V	0.375A/250V SLO-BLO
120V	108-132V	0.375A/250V SLO-BLO
220V	198-242V	0.250A/250V SLO-BLO
240V	216-264V	0.250A/250V SLO-BLO

Table 1-2. 732A Specifications (cont)

AUXILIARY LOW VOLTAGE POWER REQUIREMENTS	24-40V dc or 24-30V ac 50-400 Hz
INTERNAL BATTERIES	24V gelled-electrolyte lead-acid
TYPICAL BATTERY LIFE	12 hours at 23°C
PROTECTION CLASS	Class 1 as defined in IEC 348.
SIZE (HxWxD)	19.1 cm x 22.1 cm x 60.3 cm 7.5 in. x 8.5 in. x 23.7 in. (see Figure 1-1)
WEIGHT	12.3 kg (27 lbs.)
COMPLIANCE WITH EXTERNAL STANDARDS	ANSI C39.5 Draft #8 IEC 348 2nd edition, 1978 CSA bulletin 556B, 17 Sep 1973 VDE 0411-1973 UL 1244
OPERATING TEMPERATURE	0°C to 40°C
ALTITUDE	
Non-operating	0-12,200 meters, (40,000 feet)
Operating	0-3,050 meters, (10,000 feet)

TEMPERATURE AND HUMIDITY

Condition	Temperature (°C)	% Relative Humidity (Non-condensing)
Non-operating	-40 to +50 0 to 50	Not Controlled 95 ±5%
Operating	0 to 30 30 to 40	95 ±5% 7 ±5%

VIBRATION

Frequency	G Force Frequency	Double Amplitude
5-55 Hz	2 @ 55 Hz	0.013 inch

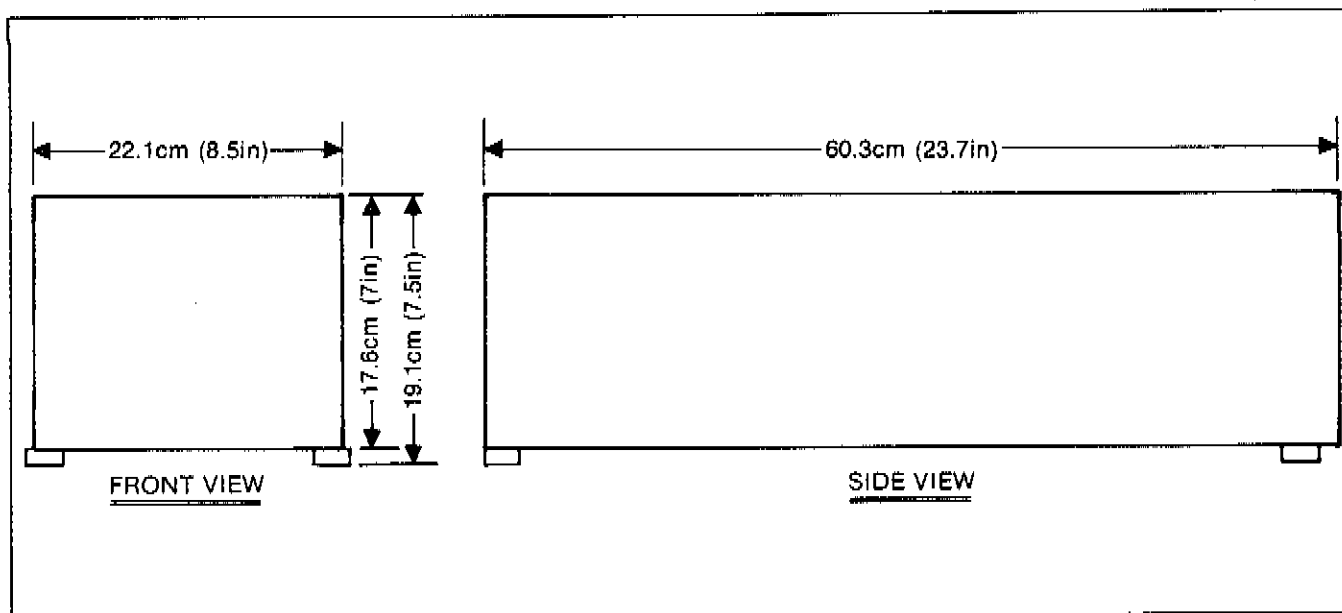


Figure 1-1. Outside Dimensions

Section 2 Operation

2-1. INTRODUCTION

2-2. The information in this section describes the installation and operation of the Model 732A. It is recommended that the contents of this section be read and understood before any attempt is made to operate the instrument. Should any difficulties arise during operation, contact your nearest John Fluke Sales Representative, or the factory. Our mailing address is: John Fluke Mfg. Co., Inc.; P.O. Box C9090; Everett, WA 98206 (206) 347-6100

2-3. SHIPPING INFORMATION

2-4. The 732A is packaged and shipped in a foam-packed container. Upon receipt of the instrument, a thorough physical and electrical inspection should be made to reveal any possible shipping damage. Special instructions for inspection and claims are included on the shipping carton.

2-5. If reshipment of the instrument is necessary, the original container or equivalent should be used.

2-6. If the instrument is to be shipped with battery power on, use the Transit Case accessory described in Section 6. Alternatively, 24V to 40V dc or 24V to 30V ac may be applied, via the rear panel connectors, to supply power during shipment.

2-7. INSTALLATION

2-8. The 732A is designed for convenient operation as either a bench or a rack-mount instrument. Rack mounting accessories available for use with the 732A are described in Section 6.

2-9. FRONT AND REAR PANEL FEATURES

2-10. The Front and Rear panels are shown in Figures 2-1 and 2-2. The various controls and connections are listed and explained in Tables 2-1 and 2-2.

2-11. OPERATING NOTES

2-12. Introduction

2-13. The following paragraphs describe various conditions that should be considered before operating the 732A. If the 732A is brand new, set the rear panel BATTERY OPR switch to ON and perform the acceptance test described in Section 4 of this manual.

2-14. Input Power Requirements

2-15. The 732A is designed to be powered continuously (including storage or shipment) to maintain standardization. Normally, power is continuously applied, either to the ac line input connector or to the low voltage ac or dc input connectors. The ac line power requirements are: 100V, 120V, 220V or 240V ac $\pm 10\%$, at 50 or 60 Hz. Low voltage, 24-40V dc or 24-30V ac, 50-400 Hz may be connected to supply instrument power and charge the internal backup battery through connectors on the rear panel. The internal, rechargeable gell-cell (sealed, gelled electrolyte lead-acid) battery provides approximately 12 hours of continuous operation when ac power is not available.

2-16. AC Line Voltage Selection

2-17. The Line Voltage Selector switches are located inside the instrument. Their setting is marked on the rear panel (See Figure 2-2). If the marked setting does not agree with the locally available ac power, the settings of the internal Line Voltage Selector switches must be changed. Refer this and all servicing to qualified personnel. The procedure is described in Section 4.

2-18. Fuse Replacement

2-19. The ac line fuse is located on the rear panel of the instrument. If the fuse requires replacement, replace it with one appropriate for the ac line voltage indicated on the rear panel. For ac line voltages from 100V to 120V use a 3/8A Slow-Blow fuse. For ac line voltages from 220V to 240V use a 1/4A Slow-Blow fuse.

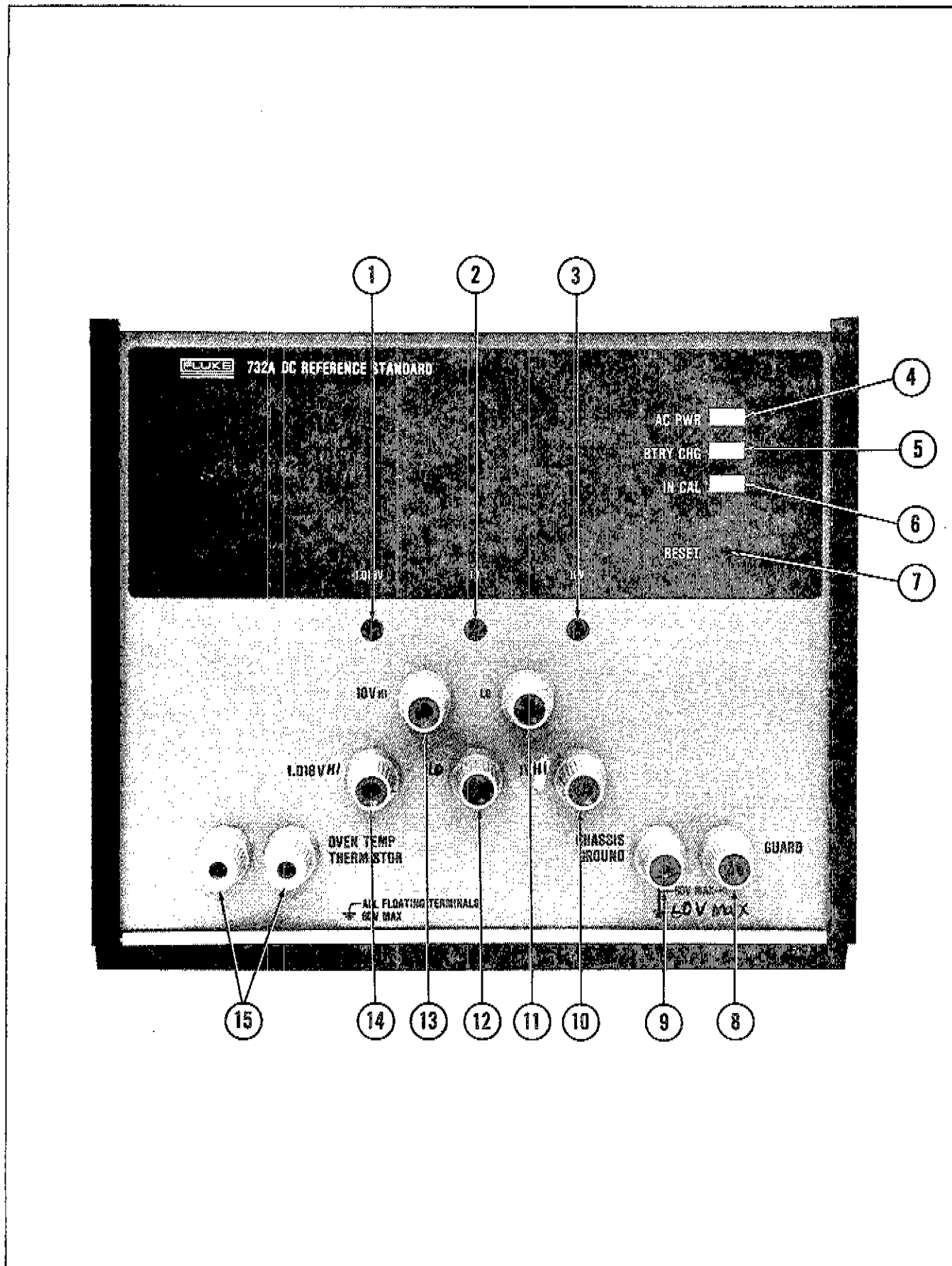


Figure 2-1. Front Panel Features

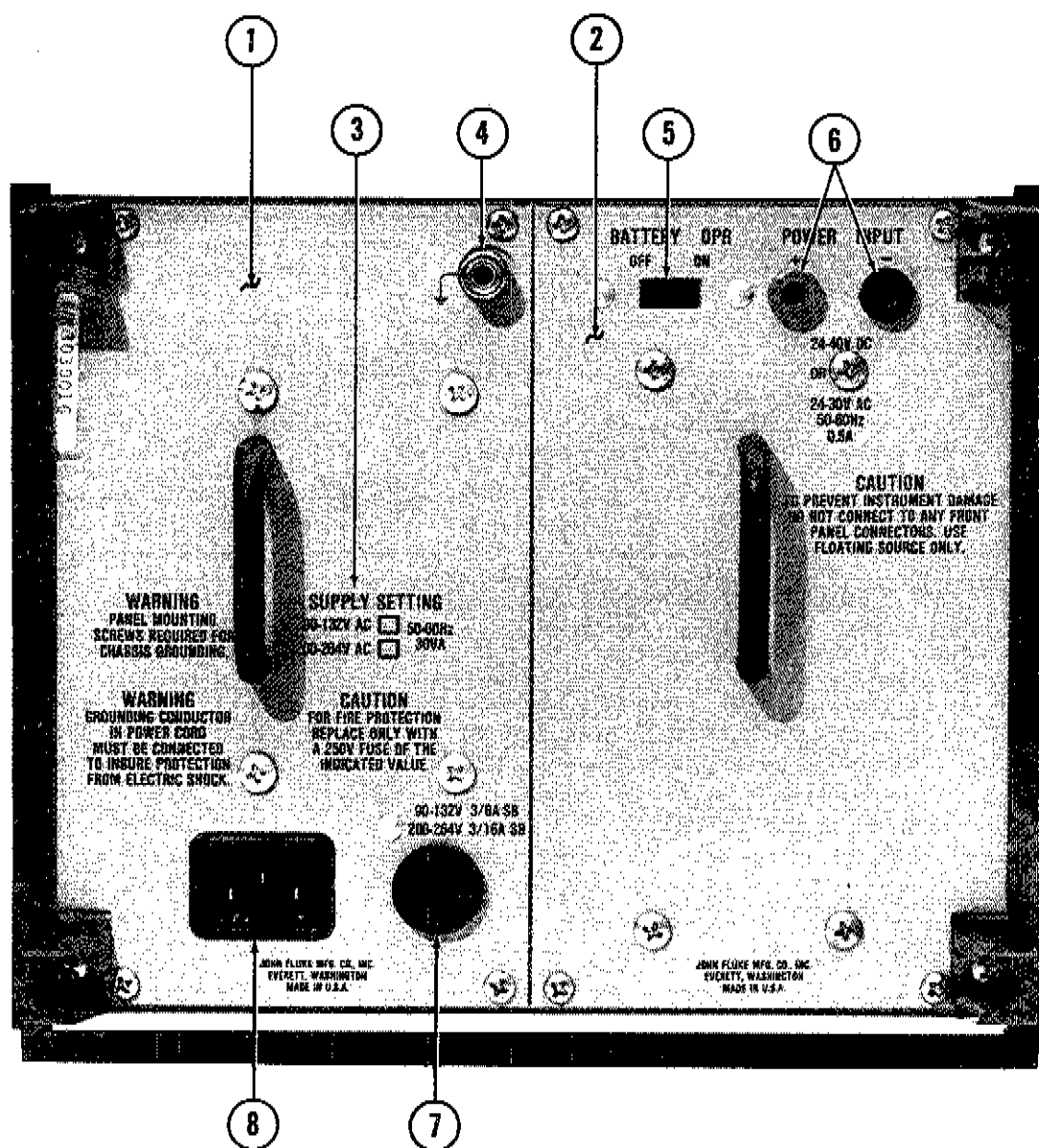


Figure 2-2. Rear Panel Features

Table 2-1. 732A Front Panel Controls and Adjustments

ITEM	FEATURE NAME	DESCRIPTION
1	1.018V Adjustment*	Calibration tool adjustment. $\pm 50 \mu\text{V}$ adjust for 1.018V output.
2	1V Adjustment*	Calibration tool adjustment. $\pm 5 \mu\text{V}$ adjust for 1V output.
3	10V Adjustment*	Calibration tool adjustment. $\pm 50 \mu\text{V}$ adjust for 10V output.
4	AC PWR Indicator	LED that indicates the presence of ac power when illuminated.
5	BTRY CHG Indicator	LED that indicates battery charger operation when illuminated.
6	IN CAL Indicator**	LED that indicates out-of-calibration condition when not illuminated.
7	RESET**	Terminal behind front panel to reset the IN CAL indicator to ON condition.
8	GUARD Terminal	Binding post that connects to internal Guard circuit. Normally connected to OUTPUT LO at some point in the measurement system. 60V is the maximum differential allowed between GUARD and CHASSIS GROUND.
9	CHASSIS GROUND Terminal	Binding post connected to the chassis of the 732A.
10	1V HI Terminal	Binding post on which the 1V output of 732A is available.
11	LO Terminal	Binding post which provides common connection for the 10V output.
12	LO Terminal	Binding post which provides common connection for the 1V and 1.018V outputs.
13	10V HI Terminal	Binding post on which the 10V output of the 732A is available.
14	1.018V HI Terminal	Binding post on which the 1.018V output of the 732A is available.
15	OVEN TEMP THERMISTOR terminals	3/4-inch spaced dual binding posts. Floating thermistor for monitoring oven temperature.

*The 10V adjustment affects both the 1.018V and 1V outputs. This adjustment should be made first when calibrating the 732A. See Section 4.

**The IN CAL indicator detects an out-of-range condition within the power supply of the 732A. If not illuminated, the 732A is not operating at its specified accuracy. Use the RESET terminal to restore the IN CAL indicator after re-calibration. See Section 4.

Table 2-2. 732A Rear Panel Features and Controls

ITEM NO.	FEATURE NAME	DESCRIPTION
1	AC Module	Rear panel module containing the A3, Pre-Regulator PCB Assembly.
2	Battery Module	Rear panel module containing the A6A1, Battery PCB Assembly.
3	SUPPLY SETTING (Ac power requirements)	Specifies the correct ac line voltage required to operate the instrument.
4	\perp chassis terminal	Binding post that provides a direct chassis connection.
5	BATTERY OPR switch	Slide switch that sets instrument back-up battery supply, on or off.
6	POWER INPUT jacks	Dual 3/4-inch spaced banana jacks for connecting an external power source (24-40V dc or 24-30V ac, 50-440 Hz). The internal back-up battery voltage may also be measured at these jacks.

Table 2-2. Rear Panel Features (cont)

ITEM	FEATURE NAME	DESCRIPTION
7	Fuse holder	AC line fuse holder.
8	Power connector	IEC 3-wire receptacle, for ac line power connection. See item 3 for specified ac line voltage.

2-20. Backup Operating Power

2-21. If ac line power fails or drops more than 30% below the nominal value, the internal battery automatically maintains operation. Set the rear panel BATTERY OPR switch to on to enable the internal battery. When line power fails, the AC PWR indicator goes out, but the IN CAL indicator remains on. The unit will continue to operate normally, until the battery discharges. When the battery is discharged, the IN CAL indicator will go out. When ac power is restored, the BTRY CHG indicator illuminates, until the battery is fully charged. The IN CAL indicator will not illuminate. This indicates that the standardization of the instrument must be reverified before the 732A is used. The battery voltage may be measured at the POWER INPUT jacks with a high impedance multimeter, such as Multimeter A, Table 4-1.

2-22. Battery Charging**CAUTION**

PERMANENT BATTERY DAMAGE WILL RESULT IF THE BATTERY IS ALLOWED TO DISCHARGE BELOW 19 VOLTS. THE DEGREE OF DAMAGE IS A FUNCTION OF THE DEPTH OF OVER-DISCHARGE AND THE BATTERY TEMPERATURE.

2-23. Under normal operation, battery life should exceed 5 years. For best battery life, minimize the number of charge/discharge cycles and avoid deep (<19V) discharge.

2-24. If the battery is fully discharged, 24 hours is required to fully recharge the battery when operating the 732A from ac line power. If the battery is not fully discharged, the charging time will be less, but always in excess of the discharge time. When the battery is charging, the BTRY CHRG indicator glows to indicate charging activity and turns off when the battery is fully charged.

2-25. IN CAL Indicator and RESET Terminal

2-26. If the IN CAL indicator does not illuminate (ac power lost, battery dead or turned off), the output of the 732A may not meet the specifications listed in Section 1. The RESET terminal, located behind the front panel, is used to restore the IN CAL indicator to the ON condition.

See Section 4 for the reset procedures. Before resetting the indicator, apply power (ac line or low voltage external ac or dc), allow a stabilization period of 24 hours, then check the 732A to insure that the various outputs are within specification.

2-27. Portability

2-28. The 732A is portable and operational at ambient temperatures between 0 and 40°C (32 to 104°F). Normal handling and transportation will not alter accuracy or stability if power is maintained by the internal battery or through the external power connections. The instrument may be used immediately after transportation, provided that the IN CAL indicator is illuminated and that the instrument has not been exposed to ambient temperatures beyond the normal operating range ($23 \pm 5^\circ\text{C}$).

2-29. Guarded Operation**WARNING**

LETHAL VOLTAGES MAY BE PRESENT WHEN OPERATING THE 732A WITH THE GUARD AND CHASSIS GROUND CONNECTIONS SEPARATED. A MAXIMUM POTENTIAL DIFFERENCE OF 60V RMS MAY APPEAR BETWEEN ANY COMBINATION OF THE GUARD TERMINAL, CHASSIS GROUND, REFERENCE STANDARD OUTPUT, OR OVEN TEMPERATURE THERMISTOR OUTPUT. IF THIS LIMITATION IS EXCEEDED, DAMAGE TO THE INSTRUMENT MAY RESULT.

2-30. The 732A is equipped with a guard that isolates the internal circuitry from chassis and earth ground. A GUARD terminal is provided on the front panel. When properly used the guard can greatly reduce errors caused by common mode voltages. In general, guarded operation will be necessary under the following conditions:

1. When a potential exists between equipment power line grounds.
2. When long connection leads are used to connect a high impedance load.
3. When operating the instrument in the presence of high level radiated noise.

2-31. A potential difference may exist between the power line grounds of the 732A and an instrument to which it is connected. This potential difference can cause circulating ground currents which cause errors in the output voltage.

2-32. To prevent these errors the 732A GUARD terminal should be connected to the load in such a manner as to provide a separate path for the circulating currents. Connect the GUARD terminal to the grounded side of the load, at the load. Figure 2-3 illustrates the correct GUARD terminal connection and the rerouted ground currents. The circulating current path may also be broken by operating the 732A on battery power as described later in this section.

2-33. Oven Temperature Thermistor

2-34. A Thermistor, mounted inside the Oven Assembly senses changes in the internal oven temperature. Use the Oven Temperature Thermistor in conjunction with an external ohmmeter to monitor the temperature stability of the oven vs time. The thermistor terminals are on to the front panel of the 732A. Both leads of the thermistor are isolated from all parts of the 732A circuitry. A maximum potential difference of 60V is allowed between either of

the thermistor terminals and any other front panel terminal (Guard, Ground, Reference Standard Outputs).

2-35. The nominal value of the Oven Temperature Thermistor is between 3 k Ω and 4 k Ω at the normal oven operating temperature. The thermistor has a temperature coefficient of 3.8%/°C. The actual operating value is shipped with the instrument.

2-36. Minimizing Error Sources

2-37. The inherent accuracy and stability of the 732A may be easily degraded if the effects of thermal emf, lead resistance and other factors are not considered and minimized.

2-38. THERMAL ERRORS

2-39. When parts of a circuit operate at different temperatures, thermal voltages will normally be present at the equipment connections. These thermal voltages can exceed 10 μ V. Use the following techniques to minimize thermal errors:

1. Use the Fluke 5440-7002 Low Thermal EMF Interconnecting Cable Assembly. See Section 6, Accessories.

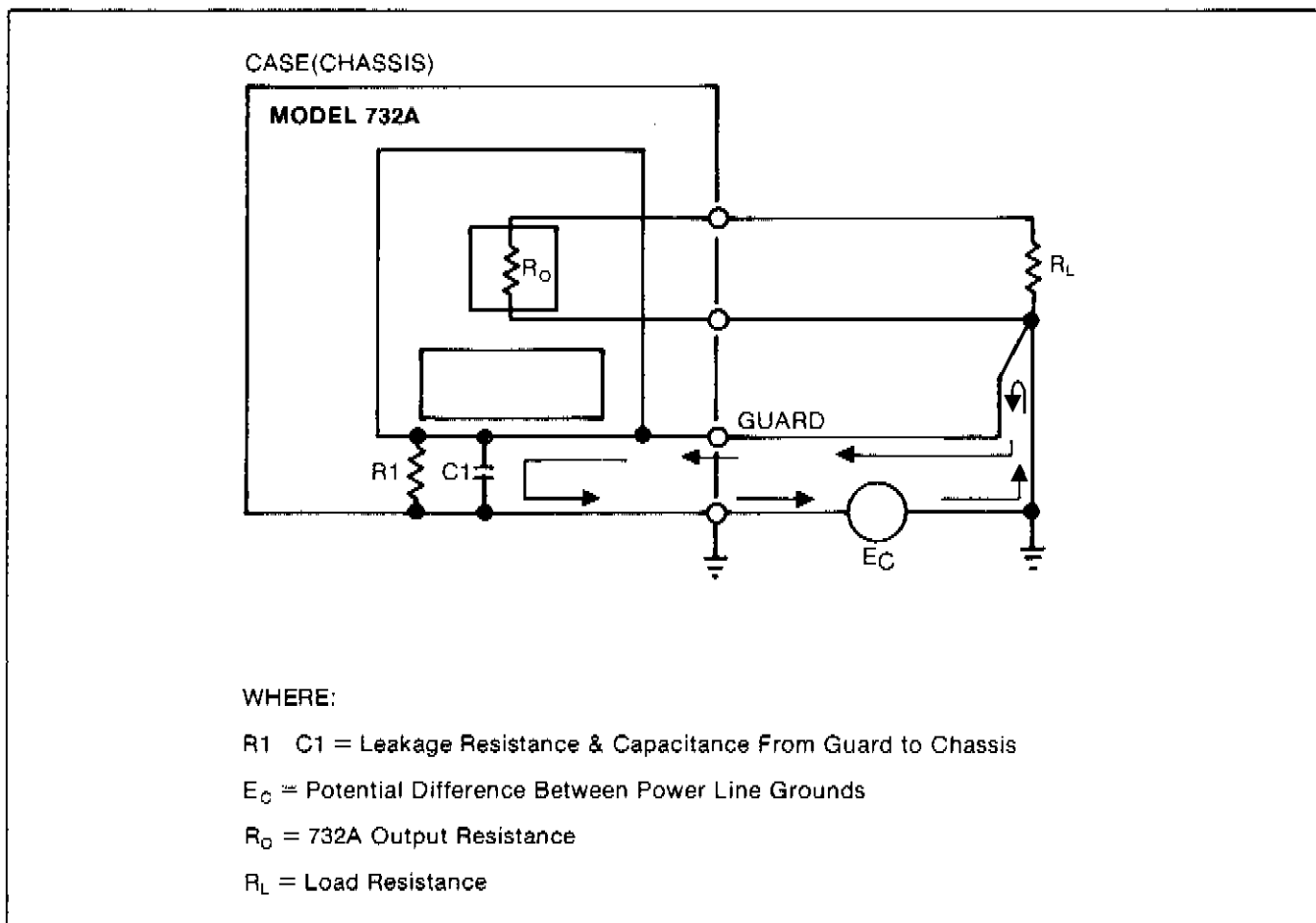


Figure 2-3. Guard Connection

2. Use #24 AWG or larger, bare copper, Teflon insulated connecting wires. It is preferable to use shielded, twisted pair cable. Avoid splices.

3. Avoid the use of ordinary, nickel-plated, banana plugs for equipment interconnections. Use of low thermal emf spade lugs is recommended. Crimp the lug onto the wire before soldering. Loosen the top of the binding post, insert the lug and tighten the binding post on the lug.

2-40. OTHER ERROR SOURCES

2-41. The effects of the finite (though very low) output impedance of the 732A, the lead wire resistance and the loading caused by the reference divider can not be ignored. Use the following procedure to minimize the effects of test lead resistance and output loading:

1. Connect the equipment as shown in Figure 2-4.
2. Calibrate the 732A/Reference Divider combination at the divider input terminals.
3. When calibration is complete, treat the 732A and the Reference Divider as a system.
4. Do not disconnect the Reference Divider at any time, even if it is not required in a given procedure. Since the 732A/Reference Divider system was calibrated at the divider input terminals, disconnecting it will change the loading on the 732A, and affect the calibration.

2-42. LONG TERM STABILITY

2-43. The user can determine the long term stability of the 732A by tracking (recording) the output voltage before and after each calibration. Over a period of time, the tracked data should allow the user to compensate for systematic errors in accuracy and precision. (Accuracy is defined as the error between the 732A output and a known standard. Precision is defined as the measure of

repeatability of the 732A output voltage in a statistical sample).

2-44. When the user has compensated for all systematic errors, only random errors should remain. The uncertainty of measurements will then be a function of the random errors and user errors.

2-45. OPERATION

2-46. Use the following procedure to prepare the 732A for initial operation.

1. Check the rear panel for ac power requirements and connect the 732A power cord to an appropriate power source.
2. Set the BATTERY OPR switch to ON.
3. Verify that the AC PWR indicator is illuminated. The BTRY CHG indicator is also illuminated if the batteries are not fully charged.
4. Allow the unit to stabilize for a period of 24 hours if either of the following apply:
 - a. The IN CAL indicator is not illuminated.
 - b. If the instrument has been stored in or exposed to ambient temperatures in excess of the normal operating range ($23 \pm 5^\circ\text{C}$). Allow the unit to stabilize for 24 hours.
5. Insure that the 732A is calibrated according to the procedures described in Section 4.
6. The instrument is now ready for use.
7. If the IN CAL indicator goes out, the output of the 732A is not standardized. Notify the Calibration department or person(s) responsible for maintaining the 732A. Refer to Section 4.

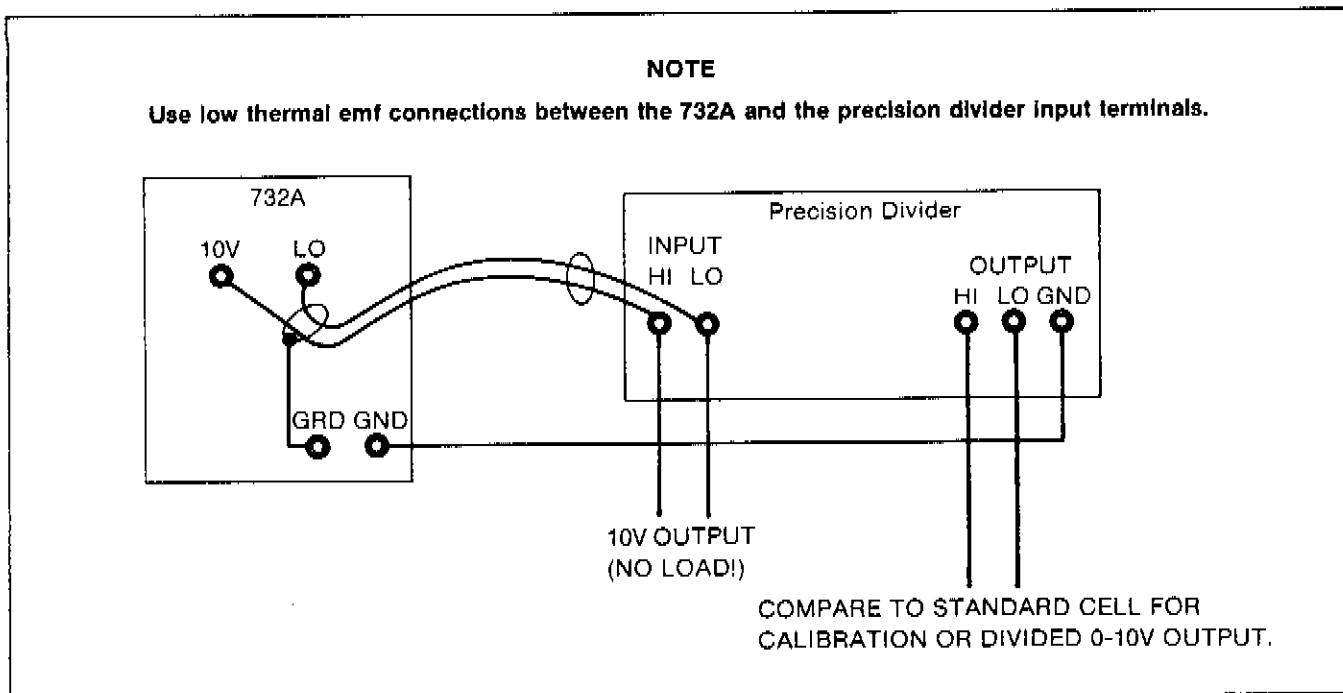


Figure 2-4. 732A/Precision Divider, Providing a Stable, Adjustable Source

Section 3

Theory of Operation

3-1. INTRODUCTION

3-2. The information in this section describes the theory of operation of the 732A. It contains an overall functional description followed by a circuit description of the 732A. Both descriptions are supported by a block diagram (Figure 3-1). Component level descriptions contained in the circuit analysis are referenced to the detailed schematics in Section 8 of this manual.

3-3. OVERALL FUNCTIONAL DESCRIPTION

3-4. The 732A dc Voltage Reference Standard is a highly stable 10V, 12 mA power supply. Refer to Figure 3-1. AC line input power is full wave rectified and fed to a two stage voltage regulator. The first stage, or Pre-regulator converts the raw dc to 32V dc. The second stage, or Regulator converts this voltage to 18.5V dc which powers the Oven Controller and the Reference.

3-5. The Voltage Monitor disables the Oven Controller and latches the IN CAL indicator off when the output of the Regulator is insufficient for proper operation. The RESET terminal is used to restore the IN CAL indicator to the ON condition after standardization of the instrument has been performed.

3-6. If ac line power fails or is not available, an internal, sealed, lead-acid battery maintains operating power to the 732A. When ac power is available, a battery charger charges the battery. This is indicated by the BTRY CHG indicator.

3-7. When ac power is not available, the battery may be charged by an external ac or dc source connected at the rear panel POWER INPUT connectors. The external source can also supply operating power for the instrument. The battery voltage can also be measured at the rear panel connectors.

3-8. CIRCUIT DESCRIPTION

3-9. The information in this section describes the circuitry of the 732A to the functional block diagram level. Refer to the detailed schematics in Section 8.

3-10. Power Supplies (A3 and A4)

3-11. The 732A has two cascaded regulators. The Pre-regulator (A3Q1) is a simple emitter follower regulator that clamps the full wave rectified power from the bridge rectifier to approximately 32V dc.

3-12. The Regulator (located on A4) supplies operating voltages to all of the circuitry in the 732A except the battery charger. During battery operation, the battery drives the Regulator input.

3-13. The Regulator (Q1, Q2, Q3, Q4) is a conventional series pass transistor error-amplifier design that regulates the 32V to 18.6V dc.

3-14. Voltage Monitor

3-15. The Voltage Monitor circuit (Q5, Q6, Q7, Q8) checks the regulator output and disables the instrument when the supply voltage falls below a critical value. When this happens, the Oven Controller is disabled and the IN CAL indicator is latched off. The reset circuit is used to turn the IN CAL indicator back on after standardization has been re-verified by qualified personnel. The Voltage Monitor is located on the A4 Regulator PCB.

3-16. Transistor Q8 is turned on by the voltage drop across the Regulator circuit series-pass transistor. This causes switching transistor Q5 to saturate, supplying power to the Oven Controller circuit and the IN CAL indicator circuit. When the output falls below that needed for normal operation, Q8 and Q5 turn off, shutting down the Oven Controller and removing drive from Q7, a Programmable Unijunction Transistor (PUT). This

removes the drive from Q6, shutting off the IN CAL indicator on the front panel. When power is restored, Q7 remains latched off until its emitter is connected momentarily to the COMMON output terminal via the RESET connection, accessible through the front panel.

3-17. Reference Circuit, A5

3-18. The Reference Circuit (A4Q12, Q1, Q2, Q5, U1, U2) reduces the 18.6V output of the Regulator to precisely 10V. The Reference circuit is a highly stable series-pass voltage regulator. The entire reference supply (except the pass transistor) is enclosed in an oven to provide the consistent thermal environment necessary for the stability of the output.

3-19. U2, the Ref-Amp, is a transistor and zener diode mounted on a common substrate. This construction compensates for ambient temperature changes, thus U2 has an extremely low temperature coefficient. The Ref-Amp compares the 10V output to its internal zener reference to derive an error voltage which is amplified by op amp U1. U1 drives the series pass element (Q1, A4Q12). Q2 provides current limiting to protect the series pass element under short circuit conditions. Variable resistor R20 allows a small adjustment ($\pm 50 \mu\text{V}$) in the output voltage of the Reference. Larger adjustments can be made by jumper changes on the Calibration PCB Assembly, A7.

3-20. Output Divider

3-21. Two precision resistive voltage dividers divide the precise 10V output down to 1V and 1.018V. Each of these dividers is adjustable over a limited range to allow calibration. Both dividers are enclosed in the oven with the reference.

3-22. Oven Controller

3-23. The Oven Controller (A4Q13, A4Q14, Q3, Q4, U3, U4, U5) maintains the internal temperature of the oven at a nominal temperature of $48 \pm 2^\circ\text{C}$. The Oven Controller is a high thermal gain, proportional control circuit. The Oven Controller circuit is partially located on

the A5 Reference PCB assembly, inside of the oven. The oven driver and output transistors are located on the A4 Regulator PCB assembly.

3-24. Thermistors RT1, series connected RT2, and RT3 are connected in a bridge configuration with R28 and R29, and are located inside the oven. U3 buffers the bridge output and drives differential amplifier/integrator U5 which drives the oven driver and output transistors (A4Q13, A4Q14) and subsequently the oven heaters. U4 shapes the overall loop frequency response.

3-25. Battery Charger

3-26. The battery charger determines the state of the charge of the internal battery and sets the charging current accordingly: constant current charging for deep discharge or constant voltage trickle charging for charge maintenance. The Battery Charger circuit is located on A3.

3-27. Transistor Q2 is a current source that supplies all the charging current. Transistors Q3 and Q4 form a schmitt trigger. Transistor Q6 supplies a constant voltage output for trickle charging and thus maintains the battery at full charge. Three thermistors monitor the ambient temperature (RT1) and the battery temperature (A6RT1, A6RT2) and adjust the charging rate accordingly.

3-28. During initial charging, Q3 enables Q2 and the high charge rate. When the battery voltage rises to approximately 32V, Q4 turns off, shutting off the constant current charge. The battery is then constant voltage charged by Q6 (approximately 27V at 23°C). Potentiometer R10 sets the threshold point of this transition and hence the end of charge current. At this point, Q6 supplies a constant voltage trickle charge to the battery and R20 sets this voltage level. Thermistor A3RT1 compensates the constant voltage charging for variations in the ambient temperature. Thermistors RT1 and RT2, located on the battery PCB, and Q5 prevent high current charging at temperatures below 5°C , and/or high temperatures.

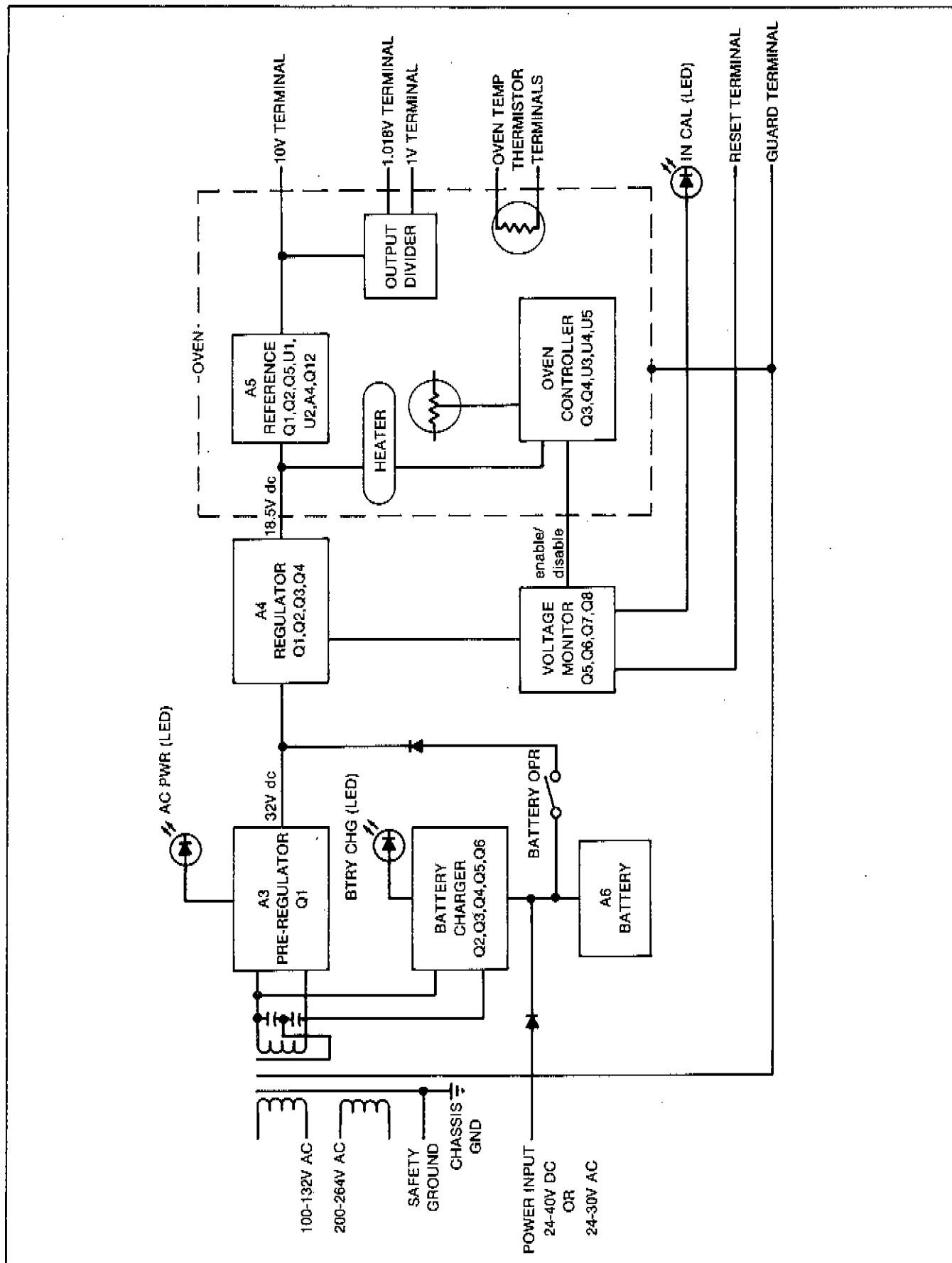


Figure 3-1. Functional Block Diagram

Section 4 Maintenance

WARNING

THESE SERVICING INSTRUCTIONS ARE FOR USE BY QUALIFIED PERSONNEL ONLY. TO AVOID ELECTRICAL SHOCK, DO NOT PERFORM ANY SERVICING OTHER THAN THAT CONTAINED IN THE OPERATING INSTRUCTIONS UNLESS YOU ARE QUALIFIED TO DO SO.

4-1. INTRODUCTION

4-2. This section of the manual contains maintenance information for the 732A. This includes general maintenance procedures, an acceptance test, calibration test, calibration procedures and troubleshooting information.

4-3. The acceptance test is used as a means of verifying that the instrument is operating within specifications. Perform the acceptance test upon receipt of the instrument.

4-4. The instrument should be calibrated at an interval commensurate with the users accuracy and stability requirements. Necessary test equipment is listed in Table 4-1. Equivalent instruments may be used, provided that they meet the minimum specification(s).

NOTE

To limit thermally induced errors, use Fluke Low Thermal EMF Assembly Cable (an accessory) or copper wire, preferably shielded twisted pair, with crimped and soldered low-thermal lugs, clamped in the binding posts for all interconnections. Avoid the use of ordinary nickel-plated banana plugs.

CAUTION

To avoid cracking the plastic binding post insulator, tighten only with finger pressure. Do not use tools.

4-5. SERVICE INFORMATION

4-6. The 732A is warranted for a period of one (1) year upon delivery to the original purchaser. The WARRANTY is given on the back of the title page located in the front of this manual.

4-7. Factory authorized calibration and service for each Fluke product is available at various worldwide locations. A complete list of Fluke service centers is included with this manual. Shipping information is given in Section 2 of this manual. If requested, an estimate will be provided to the customer before any repair work is begun on instruments that are not currently under warranty.

4-8. GENERAL MAINTENANCE

4-9. Access Procedure

4-10. Use the following procedures to disassemble the 732A for adjustment or repair. Disconnect ac power connections before disassembling the 732A.

Table 4-1. Required Test Equipment

TYPE	REQUIRED SPECIFICATIONS	RECOMMENDED MODEL	PROCEDURE*
Certified 732A	As required by the user	Fluke 732A**	A, B
Four to Nine Cell Bank of Standard Cells	As required by the user 9152P/4 or 9	Guildline Instruments	A, C
Voltage Divider	7 decade, 0.1 ppm resolution 0.1 ppm absolute linearity	Fluke 720A	C
Null Detector	1 μ V full-scale sensitivity. 10 M Ω input resistance. ZERO/OPR switch must open circuit input terminals in ZERO position.	Fluke 845AB, AR	B, C
Adjustable Source	10V dc output 1 μ V resolution 0.3 ppm + 2 μ V uncertainty	Fluke 5440A	C
Multimeter A	4½-digit display 20 k Ω resistance range 200 mV to 200V ac or dc	Fluke 8050A, 8060A	A, D, E
Multimeter B	6½-digit display 10V dc range, 100 μ V resolution 1V dc range, 10 μ V resolution	Fluke 8500A, 8502A	B, E
Rheostat	50 k Ω , ½W	Fluke P/N 484089	D
Variac	120V, 1A, metered	GenRad W5MT3A	D
Load Resistor	1 k Ω , ½W Carbon Composition	Fluke P/N 108597	B, D
Adjustment Tool	Supplied with 732A	Fluke P/N 686113	A,B,C
<p>* A = Acceptance Test B = Calibration, procedure A. C = Calibration, procedure B. D = Battery charger adjustment E = Troubleshooting</p> <p>**The 732A selected for use as the Certified 732A in Calibration Procedure A should be calibrated at a calibration facility whose transfer uncertainties are consistent with the user's needs.</p>			

4-11. COVER REMOVAL

4-12. Use the following procedure to access the interior of the 732A (Refer to Figure 4-1)

1. Remove all screws securing the top and/or bottom cover(s).
2. Lift the cover(s) off the instrument.

4-13. REAR MODULE REMOVAL

4-14. There are two modules located in the rear of the 732A; The AC Module and the Battery Module. Use the following procedure to remove either of the rear modules (Refer to Figure 4-2):

NOTE

Either module, but NOT both, may be removed without loss of standardization. If the AC Module is removed, ensure that the rear panel, BATTERY OPR switch is set to ON and that the battery is charged before removing the AC Module. This will insure continued standardization.

1. Remove the screws securing the module to the rear of the instrument.
2. Pull the module out from the rear of the instrument.

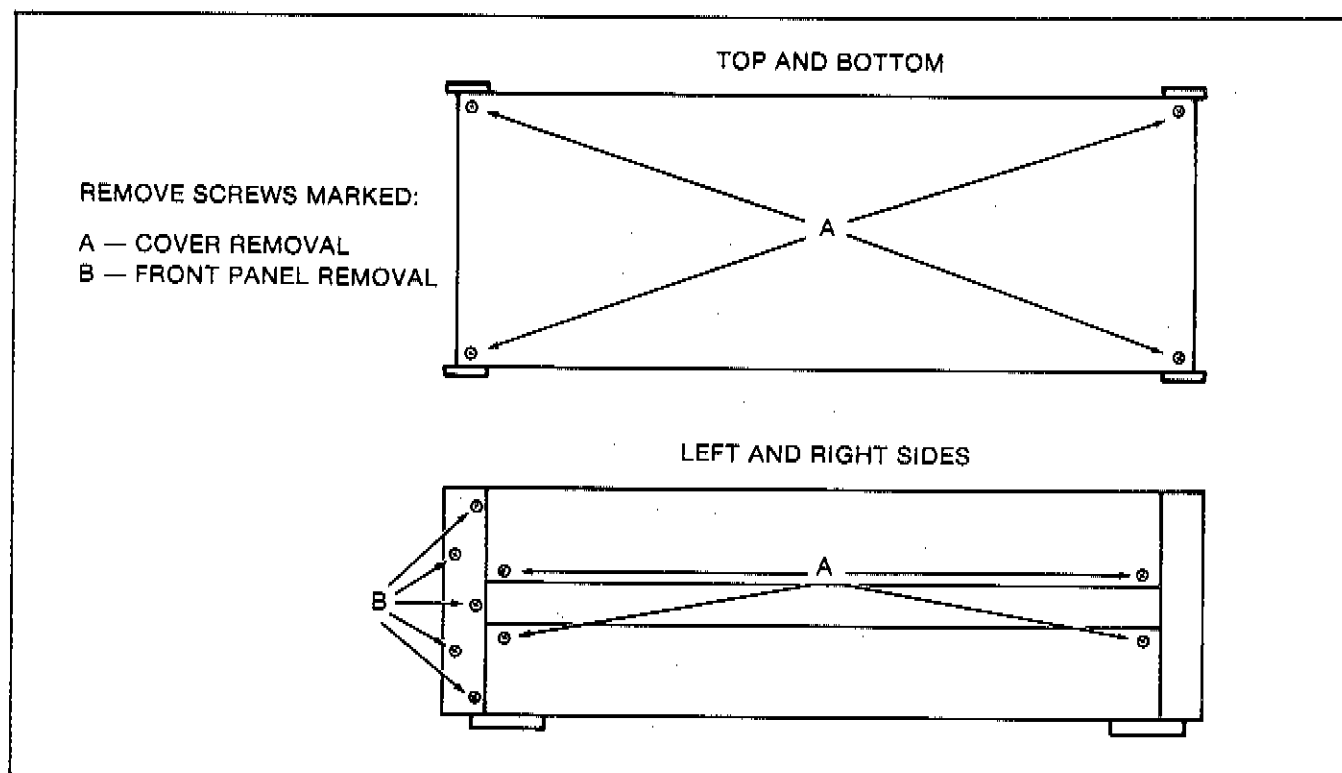


Figure 4-1. Cover and Front Panel Screw Locations

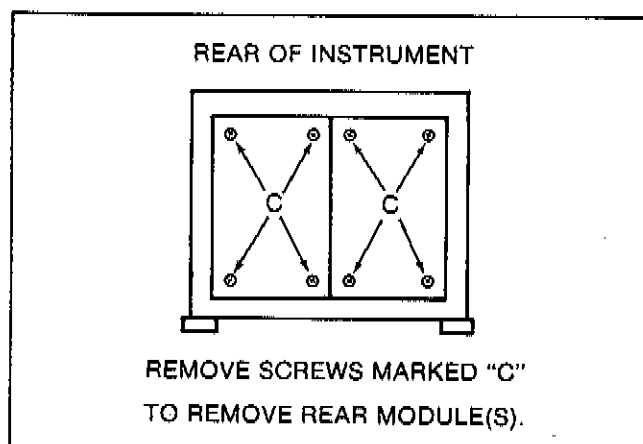


Figure 4-2. Rear Module Mounting Screw Locations

4-15. REGULATOR PCB ASSEMBLY REMOVAL

NOTE

Since the Regulator PCB Assembly removal requires the removal of BOTH rear modules, standardization will not be maintained after this procedure.

4-16. Use the following procedure to remove the Regulator PCB Assembly from the 732A (Refer to Figure 4-3).

1. Remove the top and bottom covers.
2. With the 732A resting on its bottom, remove the screws securing the inner shield top cover and remove the shield.
3. Remove both of the rear modules.
4. Remove the screws that fasten the two T0-220 power transistors to the bottom of the chassis. Save the two insulators and the two shoulder washers. Note the positions of the insulating hardware so they can be reassembled properly.
5. Unplug the Regulator PCB Assembly from the motherboard by pulling it out towards the rear of the 732A.

4-17. OVEN REMOVAL

4-18. Use the following procedure to remove the oven assembly from the 732A (Refer to Figure 4-4)

1. Remove the top and bottom covers.
2. With the 732A resting on its bottom, remove the screws securing the inner shield cover and remove the cover.
3. Carefully pry the top foam insulating block out from the front of the instrument using a blade type screwdriver.

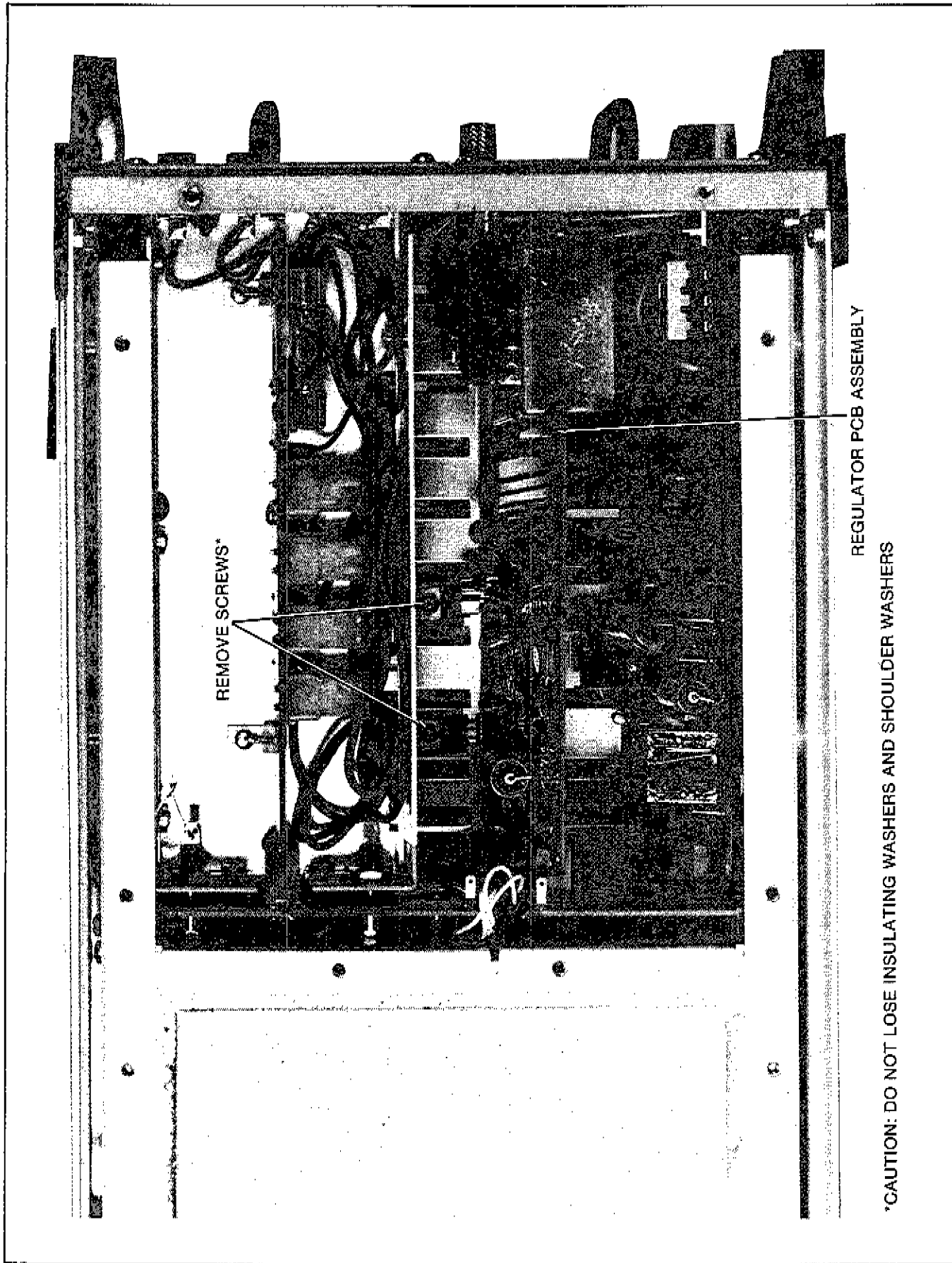


Figure 4-3. Regulator PCB Assembly Removal

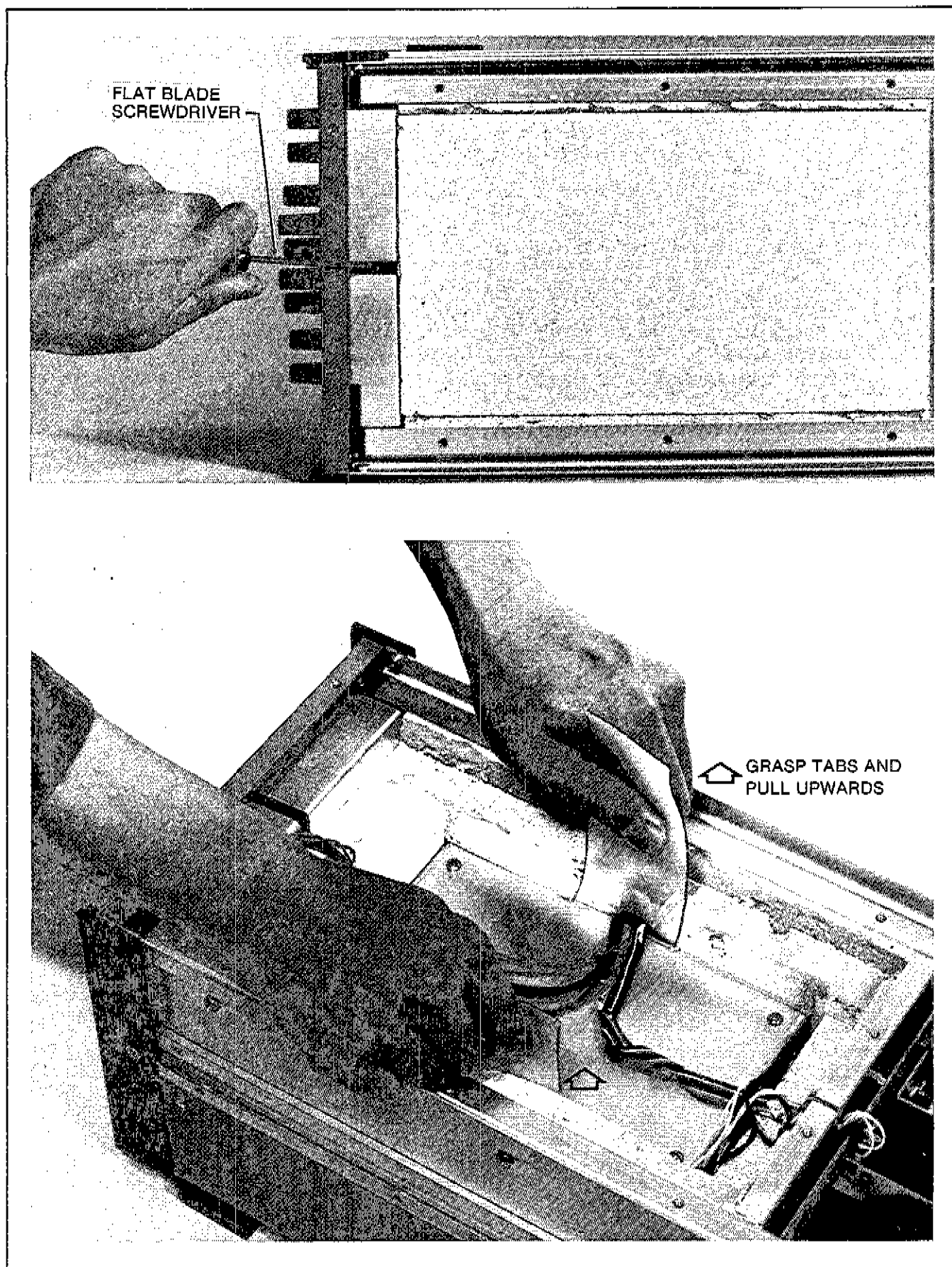


Figure 4-4. Oven Assembly Removal

4. Do the same for the foam block that is now exposed.
5. Locate the two mylar tabs located on each side of the Oven Assembly.
6. Grasp both mylar tabs and pull steadily and evenly upwards.
7. Disconnect the Oven Assembly cable harness at the motherboard and at the front panel.

4-19. Oven Disassembly

4-20. Use the following procedure to disassemble the Oven Assembly. Use this procedure only if access is necessary to effect repairs on the Oven Controller circuit. Do not attempt to repair the Reference circuit.

1. Remove the Oven Assembly from the 732A.
2. Lay the instrument on its side, with its top facing you, and lay the Oven Assembly on the work surface.
3. Remove the four screws holding the inside clamshell (the inside clamshell contains the adjustment holes for the calibration potentiometers)

NOTE

Do not turn the screws on the outside clamshell as this will cause difficult disassembly and reassembly.

4. Move the wire bundle to the side and lift the heater assembly free of the Oven Assembly.
5. Lay the heater assembly to the side. The Reference PCB Assembly circuitry is now accessible.

NOTE

In most cases, repairs to the PCB assembly can be better accomplished from the component side of the PCB. If access to the bottom of the PCB is necessary, unscrew the outside four teflon standoffs.

4-21. Front Panel Removal

4-22. Use the following procedure to detach the front panel from the 732A:

1. Remove the top and bottom covers.
2. With the 732A resting on its bottom, remove the screws securing the inner shield cover and remove the cover.

3. Locate the Blue wire coming from the GUARD terminal to a solder lug riveted to the chassis. Unsolder this wire at the solder lug and pull it free.

4. Peel the decal from both of the front corner side moldings and remove the exposed screws. Refer to Figure 4-1 for screw locations.

5. Remove the front corner side moldings from the instrument.

6. The front panel is now free. Be extremely careful of the wire harness connected to the front panel binding posts. The service loop provided is quite limited.

4-23. Cleaning

CAUTION

To prevent possible damage to the front panel, do not use aromatic hydrocarbons or chlorinated solvents on the front panel of the 732A.

4-24. When the 732A is properly cared for and kept in a controlled atmosphere, cleaning is seldom required. However, any contamination, particularly oil, in the instrument can contribute to an increase in leakage which may impair accuracy.

4-25. Clean the exterior and the front panel of the 732A with a soft cloth dampened in a mild solution of detergent and water. Do not attempt to clean the interior of the instrument.

4-26. Fuse Replacement

4-27. The power fuse F1 is located on the rear panel of the 732A. If replacement is necessary, use the following rated fuses:

100V or 120V ac operation -- MDL 3/8 (3/8A slow blow)

230V or 240V ac operation -- MDL 3/16 (3/16A slow blow)

4-28. AC Line Voltage Change

4-29. The 732A may be operated from 100V, 120V, 220V, or 240V ac $\pm 10\%$. The assigned line voltage may be changed to match the available source using the following procedure. Refer to Figure 4-5.

1. Ensure that the battery is charged or an appropriate external ac or dc source is connected to the POWER INPUT jacks on the rear panel. This will maintain the unit's standardization when ac line power is removed. The BTRY CHG indicator on the front panel will extinguish when the battery is fully charged and the 732A is still connected to the ac power source.

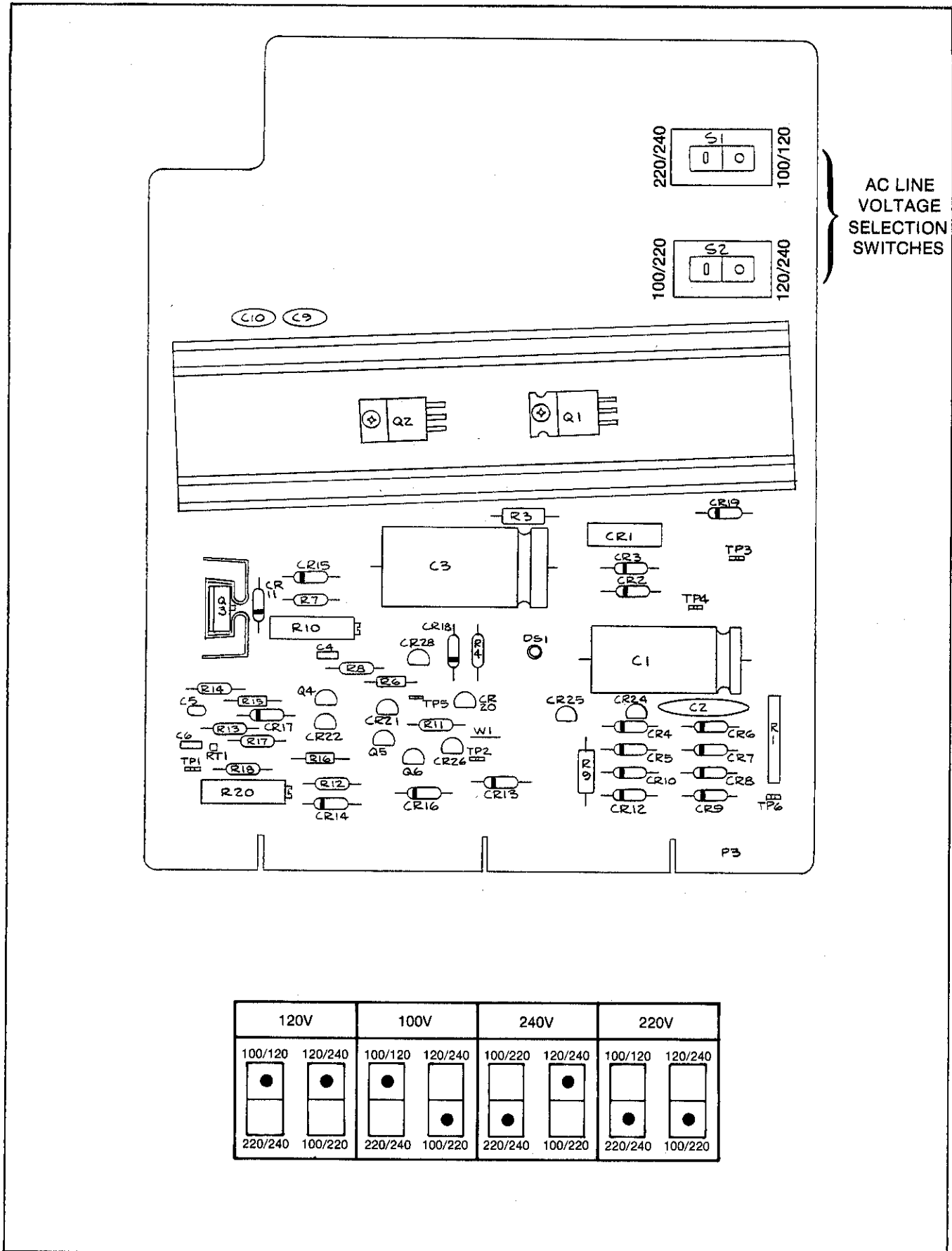


Figure 4-5. AC Line Voltage Conversion on A3 Pre-Regulator PCB Assembly

2. Set the BATTERY OPR switch to ON and remove ac line power from the instrument.
3. Remove the AC Module.
4. Locate the voltage selector switches (slide switches, top of PCB, near rear panel). Set the switches so that the dots on the switch actuators select the correct line voltage. As shown in Figure 4-5.
5. Reinsert the AC Module, replace the screws.
6. On the rear panel, change the mark to the appropriate box, under the SUPPLY/SETTING heading, to indicate the present power configuration.
7. Replace the line fuse with one of appropriate value.
8. After verifying that the local ac line voltage matches the voltage selected on the 732A, apply ac line power to the instrument.

4-30. ACCEPTANCE TEST

4-31. Use the following procedure to verify that the instrument is operational. The required test equipment is listed in Table 4-1. Equivalent instruments may be used, provided the minimum specification is met.

1. Check the IN CAL indicator on the front panel. If illuminated, proceed to step 2. If not, complete steps a through f.
 - a. If the IN CAL indicator was not lit, set the rear panel BATTERY PWR switch to OFF and apply ac power to the instrument using the Variac, to the Supply Setting limit listed on the rear panel.
 - b. Adjust the Variac for 120V ac output. The ac line current should be less than 0.3A.
 - c. Set the BATTERY PWR switch to ON. The ac line current should be less than 0.35A if the battery is dead (BTRY CHG indicator blinking). If BTRY CHG indicator is on steadily, the ac line current should be less than 0.35A.
 - d. Allow the 732A to stabilize (under power) for 24 hours.
 - e. If a standards laboratory is available, perform the External Calibration Procedure described in Section 4. If a standards laboratory is not available, send the 732A to a Fluke Technical Service Center or an independent standards laboratory for calibration.

f. Once the 732A has been calibrated, proceed to step 2.

2. Apply ac power of the correct voltage and frequency to the instrument. The AC PWR and BTRY CHG indicators should both be on.
3. Measure the value of the Oven Temperature Thermistor at the front panel binding posts with Multimeter A. The value should be within ± 1 ohm of the value shipped with the instrument.
4. Check the output voltage at the 10V output using Multimeter A. It should be accurate within the performance limitations of the Multimeter.
5. Measure the change in output voltage under load. To make this measurement correctly, wire Multimeter A to the 10V and 10V LO binding posts (do not use plugs) and measure the voltage. Then plug the 1000 ohm load into the same binding posts and measure the voltage. The voltage change should be less than 50 μ V or 5.0 ppm.
6. Repeat step 4 for the 1V and 1.018V outputs.
7. If a standards laboratory is available, verify stability by comparison to standard cells or another pre-certified 732A. This step is optional.
8. The instrument is operational.

4-32. CALIBRATION

4-33. Complete either of the following calibration procedures to certify the 732A. Procedure A uses direct comparison between the Unit Under Test (UUT) and a Certified 732A to calibrate the 10V output. The 10V output of the UUT is then transferred to a stable adjustable voltage source. The voltage source is then divided down, as required, for comparison with the UUT 1.018V and 1V outputs. Procedure B transfers the voltage from a bank of standard cells to a stable adjustable voltage source, then divides the voltage source down, as required, for comparison with the UUT.

4-34. Either procedure may be used, taking into account the available test equipment and the degree of accuracy needed. The necessary equipment for each procedure is listed in Table 4-1.

4-35. Null Verification

4-36. Use the following procedure to verify the accuracy of null in the calibration procedures. The Null Verification procedure identifies the thermal voltages present and allows the null adjustment to be made independently of them. Use the Null Verification procedure in the two calibration procedures (Procedures A and B) when instructed to "verify the null".

1. Adjust the UUT for zero on the Null Detector.
2. Reverse the HI and LO (positive and negative) leads on the UUT and RU (Reference Unit).
3. Observe the Null Detector reading. If the reading does not equal zero, adjust the UUT for one-half of the Null Detector reading.
4. Reverse the HI and LO (positive and negative) leads on the UUT and Certified 732A. The Null Detector should have the same reading as it did at the end of step 3. If not, adjust the UUT for one-half the difference.
5. Repeat steps 2 through 4 until the Null reading does not change when the UUT and Certified 732A leads are reversed.
6. The residual reading on the Null Detector equals the sum of the thermal voltages in the circuit.
4. Set OPR switch on the Null Detector to the ZERO position, then switch power on. Adjust the Null Detector for zero on the $3\ \mu\text{V}$ range.
5. Set the Null Detector to the $30\ \mu\text{V}$ range and the OPR switch to OPR.
6. Decrease the range setting on the Null Detector slowly while adjusting the 10V calibration potentiometer, through the front panel opening on the UUT, for a null indication on the Null Detector on the $3\ \mu\text{V}$ range. Let the system stabilize for about 1 minute before adjustment. Use the non-conducting adjustment tool supplied with instrument.
7. Verify the null.
8. Connect the equipment as shown in Figure 4-7. Set the Precision Divider ratio switches to 0.999999X.
9. Adjust the Adjustable Source for a null indication.
10. Verify the null.
11. Connect the equipment as shown in Figure 4-8. Set the Precision Divider ratio switches to 0.1018000.
12. Set the Null Detector RANGE switch to the 3 volt range, then connect the Input lead to the UUT 1.018V terminal. Switch the Null Detector to OPR.
13. Adjust the 1.018V calibration potentiometer on the UUT while decreasing the RANGE setting on the Null Detector to obtain a null on the $3\ \mu\text{V}$ range. Use the non-conducting adjustment tool.

4-37. Procedure A: Calibrate to Certified 732A

4-38. Complete the following procedure to standardize the outputs of the 732A to a Certified 732A. Battery operation of the 732A and 845AB/AR is preferred. Set the Null Detector to ZERO when changing leads. Use the supplied adjustment tool for all adjustments (Fluke P/N 686113).

1. Perform the self-calibration procedure on the Precision Divider immediately prior to this procedure.
2. Obtain a certified 732A.
3. Connect the UUT and the Certified 732A as shown in Figure 4-6.

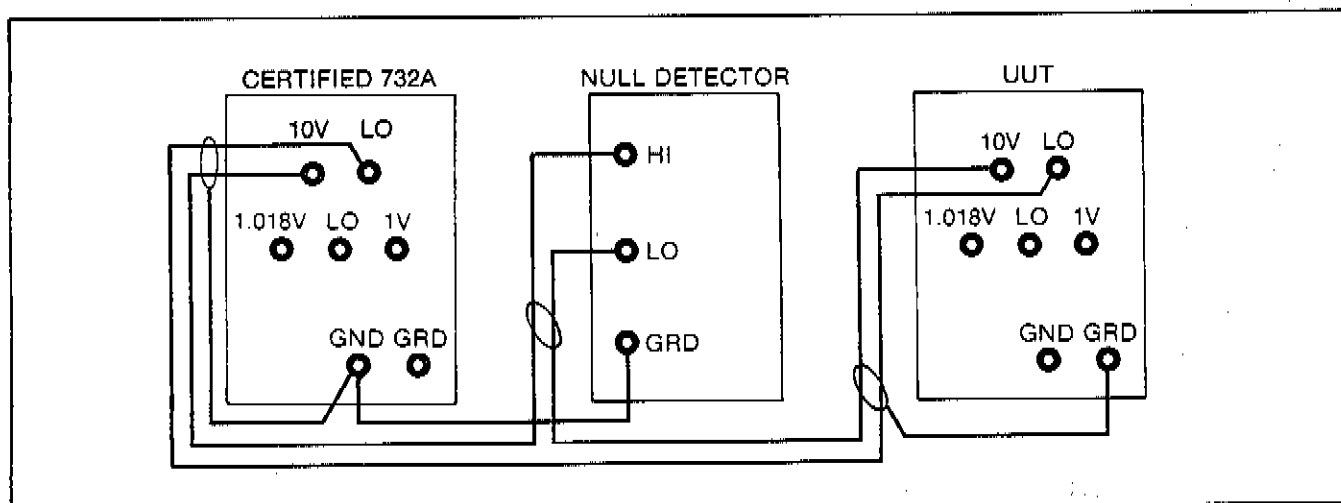


Figure 4-6. 732A Procedure 'A' 10V Calibration

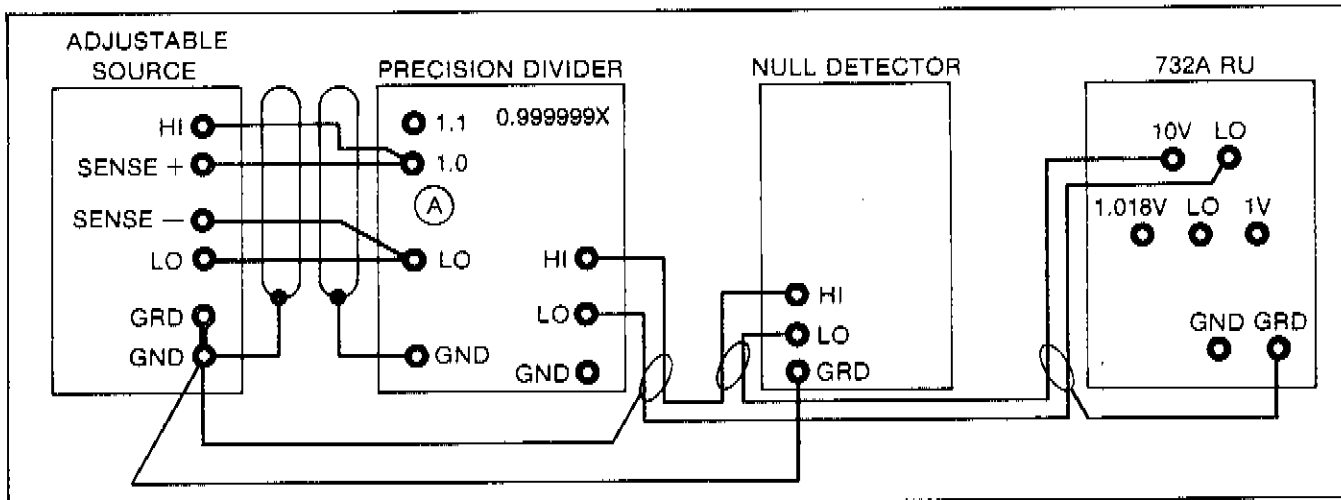


Figure 4-7. Calibration of Point A to 10V Using 732A

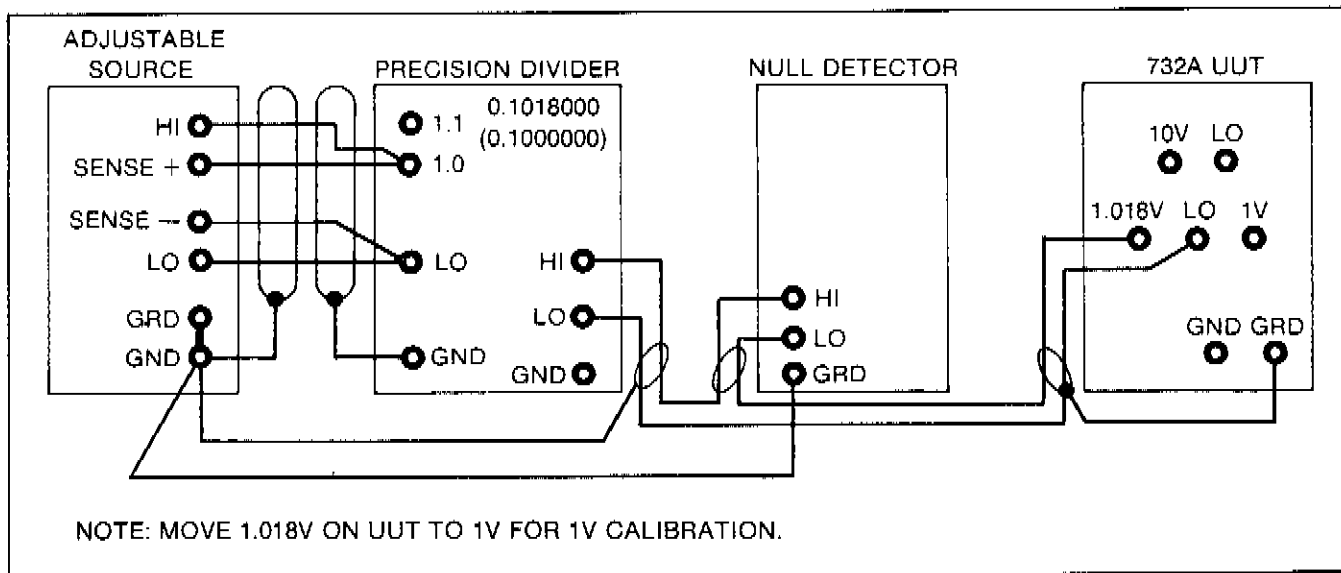


Figure 4-8. Calibration of 1.081V (and 1V) to 732A Procedure 'A'

14. Verify the null.
15. Set the Precision Divider ratio switches to 0.1000000.
16. Transfer the Null Detector input lead from the 1.018V terminal to the 1V terminal on the UUT.
17. Set the RANGE control on the Null Detector to the 3 volt position. Adjust the 1V calibration potentiometer on the UUT while decreasing the RANGE setting on the Null Detector to obtain a null on the 3 μ V range. Use the non-conducting adjustment tool.
18. Verify the null.
19. If the IN CAL indicator is illuminated, proceed to step 20. If not, connect a short wire to

one of the front panel COMMON terminals. Momentarily touch the other end of this wire to the circuit board behind the RESET hole. The IN CAL indicator should illuminate.

20. Calibration is complete. Record all test results. Disconnect all test equipment. Cover the output adjustment access holes and the RESET hole with tamper-proof calibration seals.

4-39. Procedure B: Calibration to Standard Cells
 4-40. Use the following procedure to standardize the output of the 732A. Set the Null Detector to ZERO when changing leads or when not making measurements to avoid accidental damage to the Standard Cells. Observe the techniques presented in Section 2 for minimizing thermal emf errors.

CAUTION

To prevent damage to the standard cells, the null detector used must open circuit its input leads when the ZERO/OPR Switch is set to the ZERO position.

1. Perform the self-calibration procedure on the Precision Divider immediately prior to this procedure.
2. Measure the standard cell enclosure temperature per the manufacturer's instructions and compute the voltage of up to 9 standard cells connected in series. Call this voltage S.
3. Set the Null Detector to the ZERO position.
4. Connect the equipment as shown in Figure 4-9A.
5. Adjust the ZERO control on the Null Detector for a zero indication on the 3 μ V range.
6. Set the RANGE switch to the 300uV range.
7. Set the Precision Divider ratio switches to S/10.
8. Adjust the Adjustable Source for precisely 10V output.
9. Set the Null Detector to OPR. If the Null Detector reading exceeds $\pm 300 \mu$ V, quickly return the Null Detector to the ZERO position and determine the reason for the imbalance.

NOTE

If a high degree of imbalance exists, check the output of the Precision Divider at its output terminals using Multimeter A. It should be approximately equal to the total voltage of the Standard Cell bank, or S.

10. Adjust the Adjustable Source for a null indication on the Null Detector. This is a preliminary null.
11. Set the Null Detector to the ZERO position on the 3 uV range. Adjust the ZERO control if necessary for a zero indication.
12. Disconnect the lead going from the positive terminal of the Standard Cells to the Null Detector at the Standard Cell end as shown in Figure 4-9B. Connect this lead to the negative terminal of the

Standard Cells at the standard cell enclosure as shown in Figure 4-9C.

13. Set the Precision Divider ratio switches to 0.000000.
14. Set the Null Detector to the OPR position and wait for a stable reading. Note any offset (residual reading). This reading represents the extraneous and thermal voltages which should be less than 0.5 μ V. If the offset exceeds this value, the cause should be investigated and corrected before proceeding. Adjust the Null Detector ZERO control to obtain a null indication.
15. Return the Null Detector to the ZERO position. Do not disturb the setting of the ZERO control.
16. Set the Precision Divider ratio switches to the previously calculated value of S/10.
17. Reconnect the positive lead of the Standard Cells as shown in Figure 4-9A.
18. Readjust the Adjustable Source, if necessary, for a null indication on the 3 μ V range of the Null Detector.
19. Do not change the setting on the Adjustable Source or the leads to the Precision Divider.
20. Connect the equipment as shown in Figure 4-10.
21. Repeat steps 12 through 15 for the UUT. In Step 12, move the lead from the 10V HI terminal to the 10V LO terminal of the UUT.
22. Set the Precision Divider ratio switches to 0.999999X.
23. Set the Null Detector to the 300 μ V range and set the OPR/ZERO switch to the OPR position.
24. Decrease the range setting on the Null Detector slowly while adjusting the 10V calibration potentiometer, through the front panel opening on the UUT, for a null indication on the Null Detector. Use the non-conducting adjustment tool supplied with the instrument.
25. Adjust the 10V calibration potentiometer to obtain a null indication with the Null Detector on the 3 μ V range. Let the system stabilize for about 1 minute before adjustment.
26. Connect the equipment as shown in Figure 4-11. Reset the Null Detector to the 3V range.

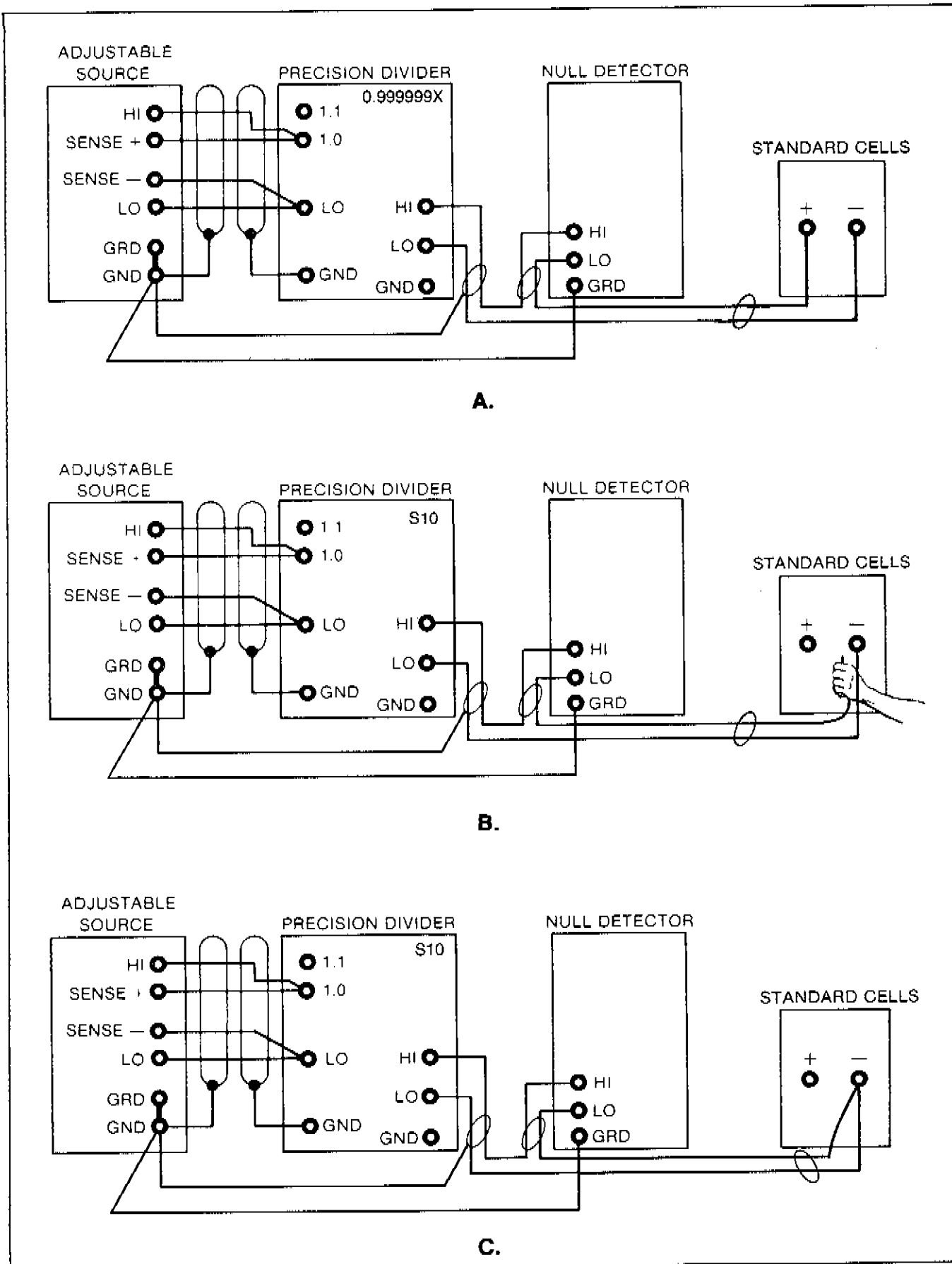


Figure 4-9. 732A 10V Calibration Using Standard Cells

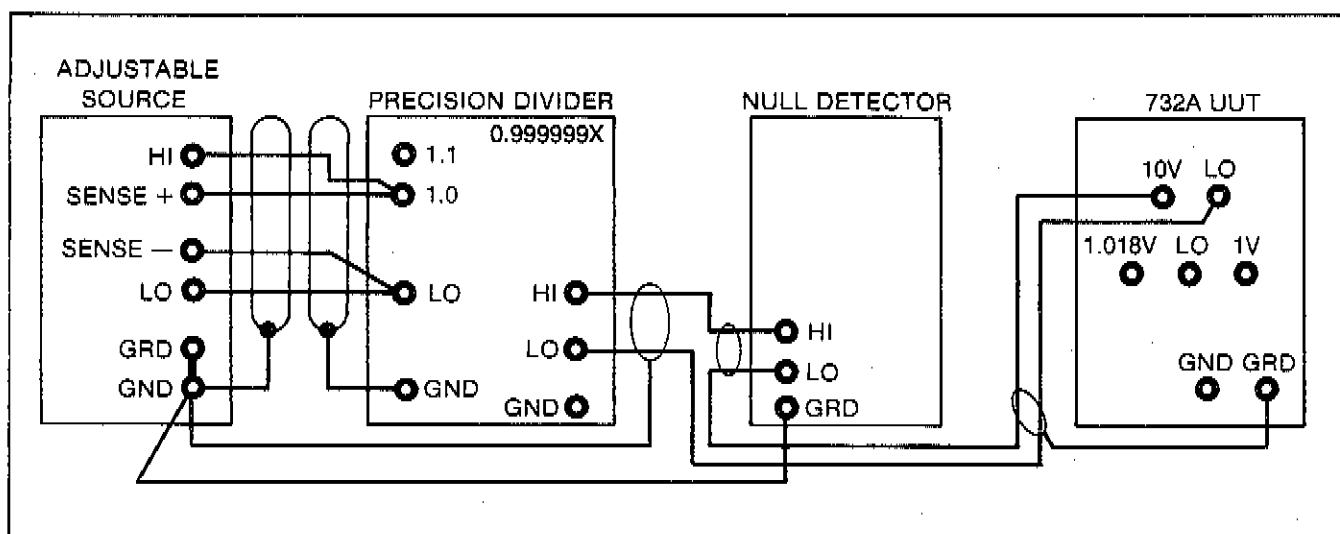


Figure 4-10. 732A Procedure 'B' 10V Calibration

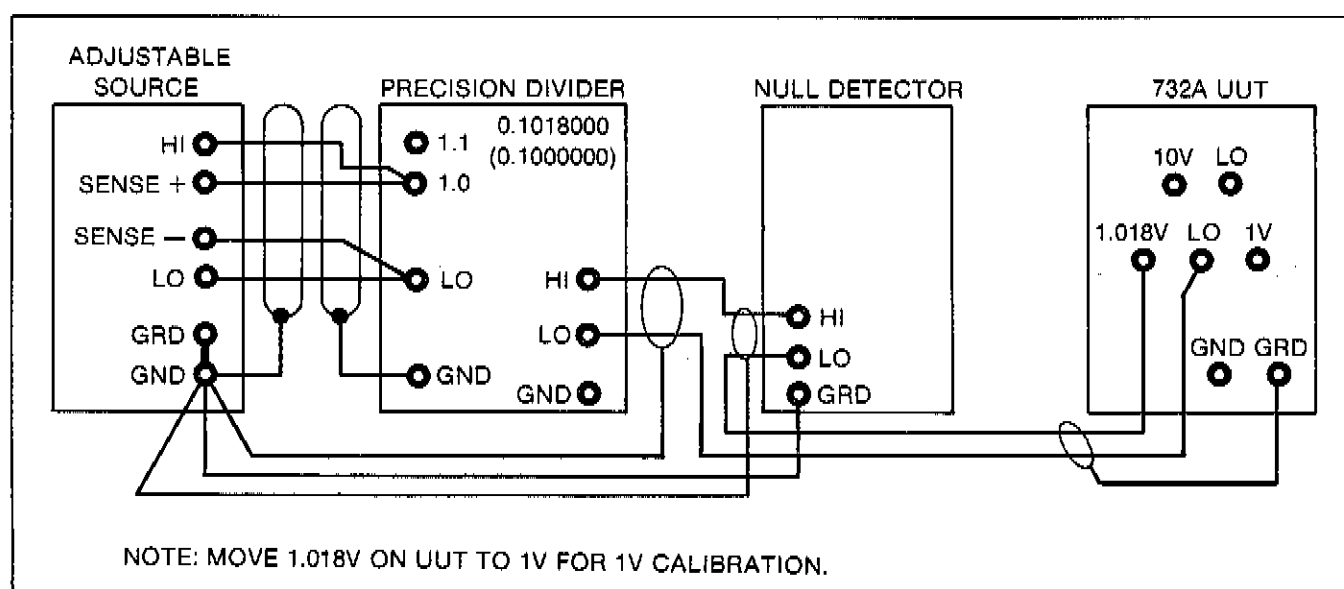


Figure 4-11. Calibration of 1.081V (and 1V) to 732A Procedure 'B'

27. Set the Precision Divider to 0.1018000.
28. Decrease the range setting on the Null Detector slowly while adjusting the 1.018V calibration potentiometer, through the front panel opening on the UUT, for a null indication on the Null Detector. Use the non-conducting adjustment tool supplied with the instrument.
29. Adjust the 1.018V calibration potentiometer to obtain a null indication with the Null Detector on the 3 μ V range. Let the system stabilize for about 1 minute before adjustment. Verify the null.
30. Move the wire connected to the UUT 1.018V output to the UUT 1V output. Reset the Null detector to the 3V range.
31. Set the Precision Divider to 0.1000000.
32. Decrease the range setting on the Null Detector slowly while adjusting the 1V calibration potentiometer, through the front panel opening on the UUT, for a null indication in the Null Detector. Use the non-conducting adjustment tool.
33. Adjust the 1.V calibration potentiometer to obtain a null indication with the Null Detector in the 3 μ V range. Let the system stabilize for about 1 minute before adjustment. Verify the null.
34. If the IN CAL indicator is illuminated, go to step 35. If not, connect a short wire to one of the front panel COMMON terminals. Momentarily touch the other end of this wire to the circuit board

behind the RESET hole. The IN CAL indicator should illuminate.

35. Calibration is complete. Record all test results. Disconnect all test equipment. Cover the output adjustment access holes and the RESET hole with tamper-proof calibration seals.

4-41. SERVICE/REPAIR PROCEDURES

4-42. Introduction

4-43. The Battery Charger Adjustment procedure is the only field service procedure for the 732A. There is no field serviceable circuitry within the oven/reference supply assembly. All adjustments within the oven must be made at the Factory or at a Fluke Technical Service Center. The following paragraphs describe the Battery Charger adjustments for the 732A.

4-44. Battery Charger Adjustment Procedure

CAUTION

This procedure will cause loss of standardization. Calibration must be performed before reuse of the instrument.

4-45. Refer to Figure 4-8. Perform this procedure to calibrate the battery charger after repair of the battery charger circuit. The equipment required is listed in table 4-1.

1. Remove ac power from the instrument.
2. Set the BATTERY OPR switch to OFF.
3. Remove the top cover from the instrument.
4. Remove the AC Module from the instrument.
5. Locate test points TP1, TP2, and TP5 on the A3, Pre-Regulator PCB Assembly (part of the AC Module). Locate trim pots R20 and R10 and jumper wire W1, also on the AC Module.
6. Connect a 50 k Ω rheostat between TP1 and TP2. Adjust the Rheostat for maximum resistance.
7. Connect Multimeter A between TP5 and TP1. TP5 is positive with respect to TP1.
8. Reinstall the AC Module in the instrument.
9. Apply ac power to the UUT using the Variac. Adjust the Variac for the line voltage indicated on the rear of the instrument.
10. Adjust R20 for a 33.0V dc reading on Multimeter A.

11. Turn the ac power off by reducing the Variac to zero volts or by unplugging the UUT.

12. Remove jumper W1 on A2.

13. Restore ac power.

14. Connect Multimeter A between TP2 and TP1. TP2 is positive with respect to TP1.

15. Set the BATTERY OPR switch to ON.

16. Set R10 fully clockwise (CW). Multimeter A should read approximately 45 to 50V dc.

17. While observing Multimeter A, adjust the rheostat toward minimum resistance. At approximately 26V dc, the BTRY CHG indicator and CR27 (CR27 is the voltage reference for the constant current source in the battery charger circuit, located on A2) should come on. The ac line current should jump to approximately 110 mA at 115V ac (55 mA at 220V ac).

18. Adjust the Rheostat for a Multimeter A reading of 32V dc.

19. Turn R10 counter-clockwise (ccw) until the BTRY CHG indicator and CR27 go out. Note that the ac line current has dropped.

20. Adjust the Rheostat toward minimum resistance, while observing the BTRY CHG indicator. When the BTRY CHG indicator lights, CR27 lights, and the ac line current increases suddenly. Multimeter A should read between 24.5 and 26.5V dc.

21. Adjust the Rheostat until the BTRY CHG and CR27 indicators turn off. Multimeter A should indicate a dc voltage greater than +31V.

22. Disconnect all test equipment and the rheostat.

23. Remove the AC Module from the 732A.

24. Reinstall jumper W1.

25. Reinstall the AC Module.

26. Battery Charger adjustment is now complete. Perform the Calibration adjustment procedure described earlier in this section.

4-46. TROUBLESHOOTING

4-47. Introduction

4-48. The information in this section describes troubleshooting procedures for the 732A. The section is divided into two parts: External Symptom Troubleshooting and Internal Voltage Measurements.

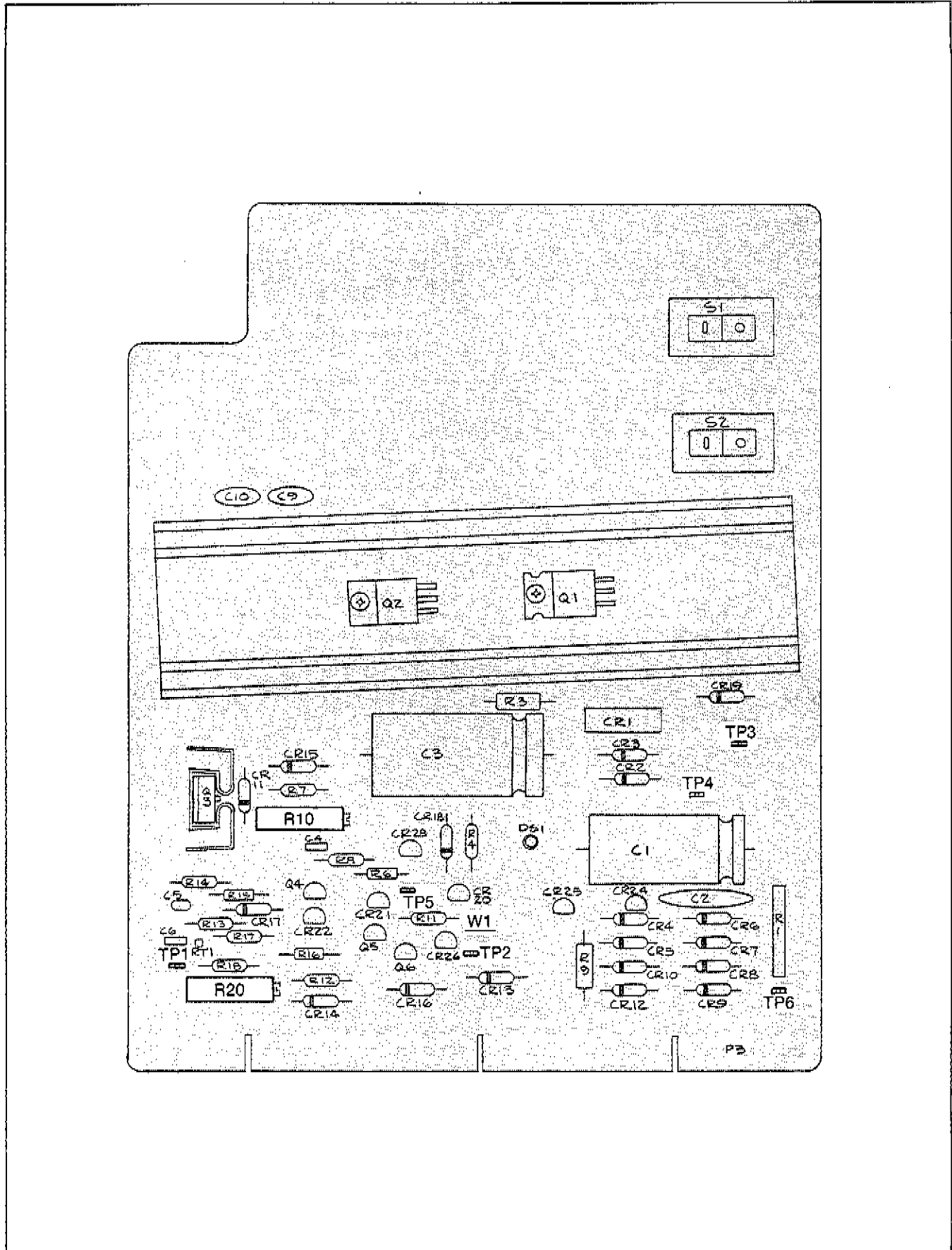


Figure 4-12. Battery Charger Test Points and Adjustments on A3 Pre-Regulator PCB Assembly

4-49. External Symptom Troubleshooting

4-50. Use Table 4-2 to isolate problems within the 732A, using external symptoms. Table 4-1 lists the required test equipment for troubleshooting.

4-51. Internal Voltage Measurements**WARNING**

TO AVOID ELECTRICAL SHOCK HAZARD, OBSERVE THE FOLLOWING PRECAUTIONS WHILE WORKING ON THE INSIDE OF THE 732A. REMOVE ANY JEWELRY BEFORE BEGINNING TESTING. HIGH VOLTAGE AC MAY BE PRESENT DURING THE FOLLOWING TESTS, DO NOT PERFORM ALONE. EXERCISE APPROPRIATE CAUTION TO AVOID ELECTRICAL SHOCK WHEN WORKING IN OR AROUND THE VICINITY OF THE AC POWER CONNECTOR, FUSEHOLDER, AND POWER TRANSFORMER. THE BATTERY ASSEMBLY IS CAPABLE OF GENERATING EXTREMELY HIGH PEAK CURRENTS. AVOID ACCIDENTAL SHORTING OF BATTERY TERMINALS.

CAUTION

The following tests are conducted with power applied to the instrument. To avoid instrument damage, exercise appropriate caution to avoid

inadvertently shorting adjacent test points or circuit board traces with test probes or other instrument(s).

CAUTION

To insure continued instrument performance, do not attempt to replace individual wires in the reference output wiring harness. Replace the entire harness.

4-52. Use the tests shown in Table 4-3 to isolate problems to the major functional circuit groups of the 732A. It is assumed that the external symptoms given in Table 4-2 have been examined and that the primary circuit of the power transformer is operable. This procedure is conducted with the instrument energized, observe the previously stated WARNINGS and CAUTIONS.

4-53. Oven Repair

4-54. Shifts in the output level which cannot be compensated for by adding or removing jumpers from the A7 Calibration PCB will require the entire Oven Assembly to be returned to Fluke and exchanged for a working unit. Do not attempt to repair the circuitry involving U1, U2, Q1, Q2, Q5, the resistors associated with TP11 through TP14, or any other component(s) associated with the aforementioned components. Special procedures and auxiliary test equipment are necessary for component replacement within the Reference circuit. Module exchange is provided as the most economical and expedient method of repair for the user.

Table 4-2. External Symptom Troubleshooting

SYMPTOM	PROBABLE CAUSE	ACTION
732A inoperative.	Fuse blown. Battery dead. Battery opr switch set to OFF. 732A not plugged in.	Check fuse. Measure battery voltage at rear panel jacks. Recharge battery. Visual check. Restore power.
IN CAL indicator off.	Lost ac power, battery dead.	Charge battery, verify instrument calibration.
Repeated fuse blowing.	AC line primary circuit. Power transformer. Bridge rectifier. Battery charger rectifier.	Visual inspection. (2) Use ohmmeter. Use ohmmeter.
Will not run on external ac or dc source.	Ballast lamp open.	Replace lamp.
Output voltage drifts.	Oven or reference.	(1)
Temperature sensitive.	Oven.	Check oven controller circuit.
Output voltage not correct.	Reference.	Perform calibration procedure.
Output voltages not adjustable to specifications.	Reference.	(1)
Battery won't charge.	Defective battery. Battery charger defective.	Replace. Troubleshoot and repair.
Battery won't charge from external source.	Ballast lamp open.	Replace lamp.
<p>(1) The Reference portion of the Oven/Reference Supply assembly is not field repairable. Refer repair to a Fluke Technical Service Center.</p> <p>(2) Return instrument to Fluke Technical Service Center for service.</p>		

Table 4-3: Internal Measurements*

PCB	TEST POINTS	CORRECT VOLTAGE READING	CORRECTIVE ACTION
A3	TP3, TP4	$\leq 60V$ dc	AC line voltage, Rectifier, Power Transformer
A3	TP6, TP4	32V dc	Pre-Regulator
A3	TP2, TP1	$\leq 31V$ dc	Battery Charger**
A3	TP5, TP1	33.0V dc	Battery Charger**
A4	TP1, TP3	32V dc	Pre-Regulator, Motherboard
A4	TP1, TP2	$\approx 18.5V$ dc	Regulator
Front Panel	10V, COM	10.00000V dc	Oven, Reference Supply
Front Panel	1V, COM	1.000000V dc	Output Divider***
Front Panel	1.018V, COM	1.018000V dc	Output Divider***
Rear Panel	EXT. PWR.	$\geq 24V$ dc	Battery

*Voltage measurements taken with Multimeter A, except for those marked with *** in corrective action column.

**Conditions: battery installed, BATTERY OPR switch ON.

***Calibration of 10V output affects calibration of this output.

Section 5

List of Replaceable Parts

TABLE OF CONTENTS

ASSEMBLY NAME	DRAWING NO.	TABLE NO. PAGE	FIGURE NO. PAGE
732A Final Assembly	732A-7201,732T&B	5-1 5-3	5-1 5-6
A1 LED PCB Assembly	732A-4006	5-2 5-10	5-2 5-10
A2 Motherboard PCB Assembly	732A-4005T	5-3 5-11	5-3 5-11
A3 Pre-Regulator PCB Assembly	732A-4003	5-4 5-12	5-4 5-14
A4 Regulator PCB Assembly	732A-4002T	5-5 5-16	5-5 5-17
A5 Reference PCB Assembly	732A-4001	5-6 5-18	5-6 5-21
A6 Battery Module PCB Assembly	732A-4004	5-7 5-22	5-7 5-23
A7 Calibration PCB Assembly	732A-4007	5-8 5-24	5-8 5-24

INTRODUCTION

This section contains the parts list of the 732A DC Reference Standard. Components are listed alphanumerically.

Parts lists include the following information:

1. Reference Designation.
2. Description of each Part.
3. FLUKE Stock Number.
4. Federal Supply Code for Manufacturers.
5. Manufacturer's Part Number.
6. Total Quantity of Components Per Assembly.

Although Fluke recommends module exchange in place of component-level repair, this manual also includes schematics and a discussion of the theory of operation. Service by non-factory personnel voids the warranty. Use of parts not approved by Fluke may compromise board specifications and operation.

HOW TO OBTAIN PARTS

Components may be ordered directly from the John Fluke Mfg. Co., Inc. or its authorized representative by using the Fluke Stock Number or from the manufacturer by using the manufacturer's part number.

In the event the part you order has been replaced by a new or improved part, the replacement will be accompanied by an explanatory note and installation instructions, if necessary.

To ensure prompt handling of your order, include the following information:

1. Quantity.
2. Fluke Stock Number.
3. Description.
4. Reference Designation.
5. Printed Circuit Board Part Number and Revision Letter.

Parts price information is available from the John Fluke Mfg. Co., Inc. or from its representatives.

Table 5-1. 732A Final Assembly

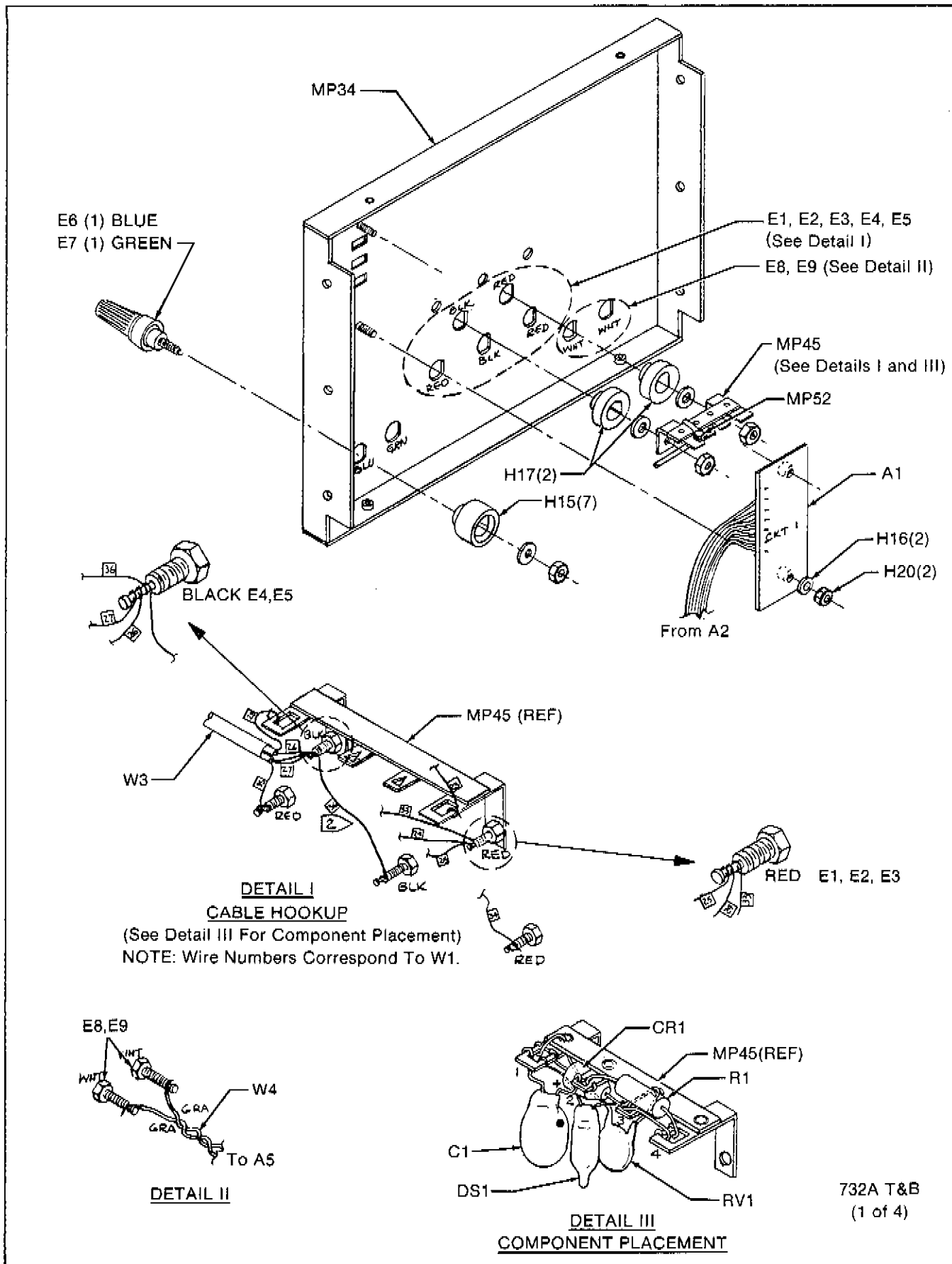
REF DES	DESCRIPTION	FLUKE STOCK NO.	MFG SPLY CODE	MFG PART NO.	TQT QTY	REC QTY	NOTE
	FINAL ASSEMBLY, 732A FIGURE 5-1 (732A-7201, 732A T&B)						
A1	LED PCB ASSEMBLY	642280	89536	642280	1		
A2	MOTHER PCB ASSEMBLY				1		1
A3	PRE-REGULATOR PCB ASSEMBLY	642264	89536	642264	1		
A4	REGULATOR PCB ASSEMBLY	642256	89536	642256	1		
A5	REFERENCE PCB ASSEMBLY	644914	89536	642272	1		
A6	BATTERY MODULE ASSEMBLY	651000	89536	651000	1		
A7	CALIBRATION PCB ASSEMBLY	645028	89536	645028	1		
C1	CAP, TA, 82 UF +/-20%, 20V	357392	12954	D82GS2D20M	1		
CR1	DIODE, SI, RECTIFIER	116111	05277	1N4817	1	1	
DS1	LAMP, NEON	100347	74276	T2-24-2	1	1	
E1-E3	BINDING POST ASSEMBLY, RED	637892	89536	637892	3		
E4	BINDING POST ASSEMBLY, BLK	637900	89536	637900	2		
E5	BINDING POST ASSEMBLY, BLK	637900	89536	637900	REF		
E6	BINDING POST ASSEMBLY, BLUE	637876	89536	637876	1		
E7	BINDING POST ASSEMBLY, GREEN	637868	89536	637868	1		
E8	BINDING POST ASSEMBLY, WHITE	637884	89536	637884	2		
E9	BINDING POST ASSEMBLY, WHITE	637884	89536	637884	REF		
E10	POST, GROUNDING, BRASS	102707	20584	1444	1		
H1	NUT, NYLON, PUSH-IN ROUND HEAD	222414	89536	222414	16		
H2	SCREW, PHP, 6-32 X 1/4	152140	89536	152140	32		
H3	SCREW, RHP, 6-32 X 3/4	114223	89536	114223	4		
H4	SCREW, PHP, 4-40 X 5/16	152116	89536	152116	2		
H5	NUT, HEX, 1/4-28	110619	89536	110619	1		
H6	SCREW, PHP, UNDERCUT, 6-32 X 1/4	320093	89536	320093	8		
H7	SCREW, FHP, 6-32 X 3/8	114363	89536	114363	4		
H8	SCREW, PHP, 6-32 X 1 1/4	159756	89536	159756	4		
H9	SCREW, PHP, 6-32 X 1/2	152173	89536	152173	4		
H10	SCREW, FHP, 8-32 X 5/16	281725	89536	281725	8		
H11	SCREW, FHP, 8-32 X 1/2	114355	89536	114355	2		
H12	SCREW, PHP, THD/FORM, #8 X 1/2	306233	89536	306233	16		
H13	SCREW, PHP, 8-32 X 5/8	114983	89536	114983	4		
H14	SCREW, PHP, 8-32 X 7/16	306159	89536	306159	12		
H15	WASHER, BINDING POST	606293	89536	606293	7		
H16	WASHER, FLT, SS, PASS, OD 0.270, ID 0.146	260471	86928	5710-23-16	2		
H17	WASHER, BINDING POST	644740	89536	644740	2		
H18	WASHER, FLAT	312538	89536	312538	1		
H19	WASHER, SHOULDER, NYLON	485417	89536	485417	2		
H20	NUT, HEX, 6-32	110569	89536	110569	2		
H21	WASHER, SPLIT LOCK, 1/4"	111518	89536	111518	1		
MP1	COVER, GUARD	641969	89536	641969	1		
MP2	COVER, TOP	641936	89536	641936	1		

Table 5-1. 732A Final Assembly (cont)

REF DES	DESCRIPTION	FLUKE STOCK NO.	MFG SPLY CODE	MFG PART NO.	TOT QTY	REC QTY	NOTE
MP3	DECAL, CORNER	659235	89536	659235	2		
MP4	BAIL, INSTRUMENT (NOT SHOWN)	605931	89536	605931	2		
MP5	INSULATION, OVEN, OUTER	654251	89536	654251	4		
MP6	INSULATION, OVEN, INNER	654269	89536	654269	4		
MP7	STRAP, OVEN	644799	89536	644799	1		
MP8	TRIM, SIDE	685206	89536	685206	2		
MP9	BRACKET, HANDLE SUPPORT	632414	89536	632414	2		
MP10	CORDSET, 3 WIRE W/RT ANGLE PLUG	363481	70903	KH8339	1		
MP11	CORNER PLASTIC	656231	89536	656231	4		
MP12	COVER, BOTTOM	641944	89536	641944	1		
MP13	HEATER COVER, BOTTOM	644633	89536	644633	1		
MP14	HEATER COVER, TOP	644625	89536	644625	1		
MP15	ELEMENT, HEATING, PATCH TYPE, 4 X 6	643411	85932	113000-465	2		
MP16	ELEMENT STRIP, HEATING	643387	85932	112000-102	2		
MP17	FOOT, REAR PANEL	657064	89536	657064	4		
MP18	FOOT, SINGLE BAIL TYPE (Dark Umber)	653923	89536	653923	4		
MP19	GUIDE, SNAP-IN PCB CARD, 6 1/2"	326009	23880	1650F	6		
MP20	HANDLE	642314	89536	642314	1		
MP21	HANDLE, STRAP	644880	89536	644880	1		
MP22	HEATER HOLDER, BOTTOM	644773	89536	644773	1		
MP23	HEATER HOLDER, TOP	644658	89536	644658	1		
MP24	HEATER HOLDER, TOP	644666	89536	644666	1		
MP25	HOLE PLUG, 5/16 HOLE	187799	89536	187799	4		
MP26	INSULATOR, CHASSIS	644906	89536	644906	1		
MP27	CORNER ANGLE BRACKET	298166	89536	298166	2		
MP28	BULKHEAD GUARD, FRONT	641985	89536	641985	1		
MP29	OVEN, INSUL, OUTER FRONT-BACK	654277	89536	654277	2		
MP30	OVEN INSUL, INNER FRONT BACK	654285	89536	654285	2		
MP31	INSULATOR, SHEET	650788	89536	650788	4.1		
MP32	INSULATOR, SEMI-CONDUCTOR MOUNTING	508630	55285	7403-09-FR-51	2		
MP33	NAMEPLATE, SERIAL, REAR/PANEL	472795	89536	472795	1		
MP34	PANEL, FRONT	641902	89536	641902	1		
MP35	PANEL, REAR	641910	89536	641910	1		
MP36	PLATE HEATER, BOTTOM	644617	89536	644617	1		
MP37	PLATE HEATER, TOP	644609	89536	644609	1		
MP38	SENSOR PLATE	644641	89536	644641	2		
MP39	PLUG, BANANA TYPE, 15 AMP	101543	71002	401	2		
MP40	RETAINER HANDLE	579052	89536	579052	2		
MP41	SHIM, HEATER	644781	89536	644781	4		
MP42	SPACER, OVEN	644765	89536	644765	1		
MP43	SPACER, NYLON, 6-32 THRU	643361	89536	643361	4		
MP44	SPACER, NYLON, INSULATED	394262	89536	394262	4		
MP45	TERMINAL STRIP, 2-POSITION	654988	89536	654988	1		
MP46	SIDE TRIM	642298	89536	642298	2		
MP47	TRIM, SIDE INSERT	642306	89536	642306	1		
MP48	BULKHEAD GUARD, REAR	641977	89536	641977	1		
MP49	CAP, BINDING POST, KNURLED	102889	20584	1445	1		
MP50	CHASSIS, GUARD	641951	89536	641951	1		
MP51	CHASSIS, SIDE	641928	89536	641928	2		

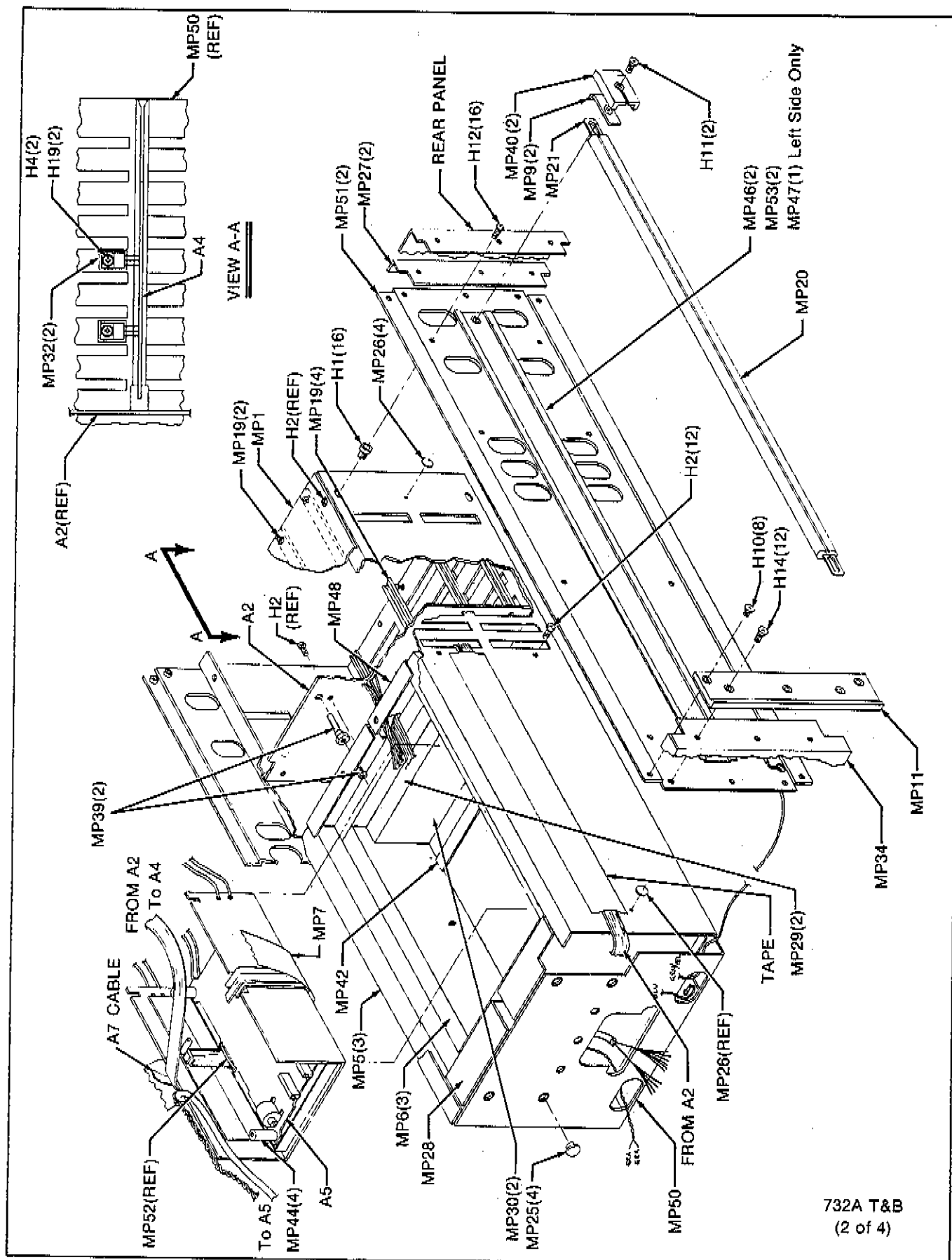
Table 5-1. 732A Final Assembly (cont)

REF DES	DESCRIPTION	FLUKE STOCK NO.	MFG SPLY CODE	MFG PART NO.	TOT QTY	REC QTY	NOTE
MP52	CABLE TIE, 4 INCH	172080	06383	SST-1	2		
MP53	SIDE TRIM, ADHESIVE	680850	89536	680850	2		
MP54	TOOL, ALIGNMENT (not shown)	686113	89536	686113	2		
R1	RES, COMP, 2.7 +/-5%, 1W	159376	89536	159376	1		
RT1	THERMISTOR, DISC TYPE W/NEG T/C	644054	89536	644054	2		1
RV1	VARISTOR, 200 PF, 22V	500777	89536	500777	1		1
TM1	INSTRUCTION MANUAL, 732A	645051	89536	645051	1		
W3	CABLE ASSEMBLY, DIVIDER-OUT&REF-OUT	644997	89536	644997	1		
W4	CABLE ASSEMBLY, THERMISTOR	651067	89536	651067	1		
	RECOMMENDED SPARE PARTS KIT, 732A	684845	89536	684845			
1	IF REPLACEMENT IS NECESSARY, CONTACT YOUR NEAREST SERVICE CENTER.						



732A T&B
(1 of 4)

Figure 5-1. 732A Final Assembly



732A T&B
(2 of 4)

Figure 5-1. 732A Final Assembly (cont)

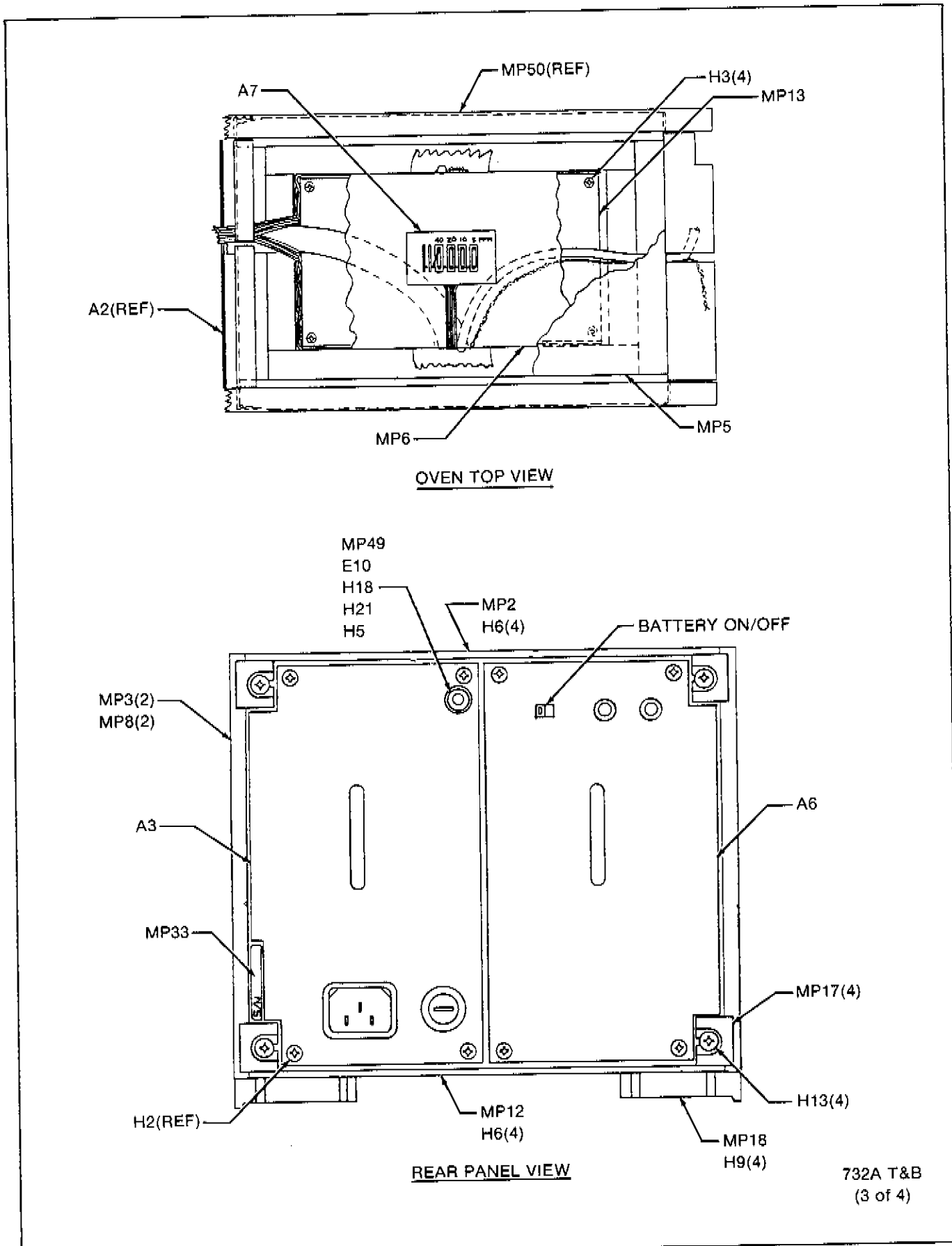
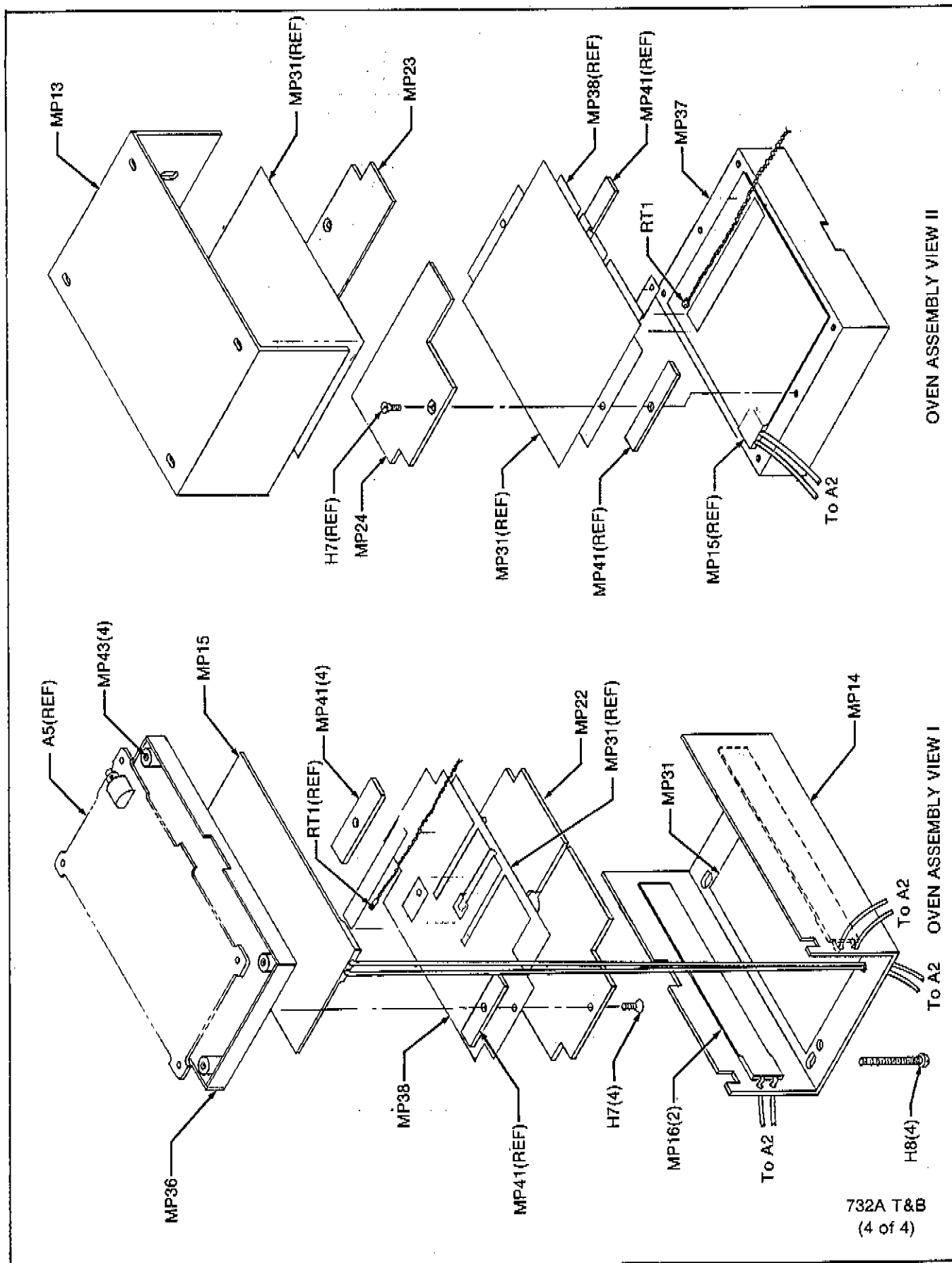


Figure 5-1. 732A Final Assembly (cont)

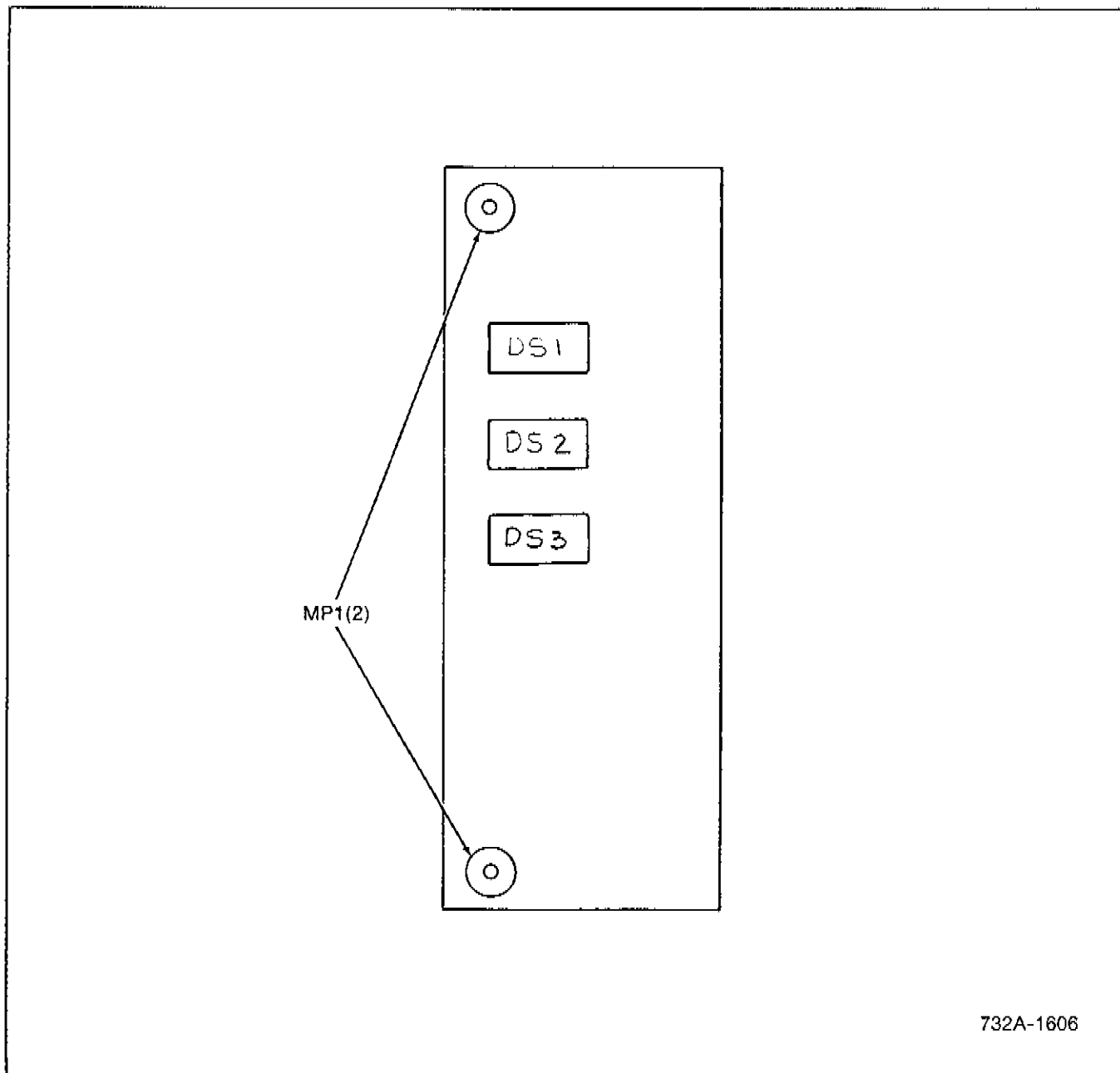


732A T&B
(4 of 4)

Figure 5-1. 732A Final Assembly (cont)

Table 5-2. A1 LED PCB Assembly

REF DES	DESCRIPTION	FLUKE STOCK NO.	MFG SPLY CODE	MFG PART NO.	TOT QTY	REC QTY	NOTE
A1.	LED PCB ASSEMBLY FIGURE 5-2 (732A-4006)	642280	89536	642280	REF		
DS1	DIODE, LED, LIGHT BAR MODULE	534834	28480	HLMP 2300	3	1	
DS2	DIODE, LED, LIGHT BAR MODULE	534834	28480	HLMP 2300	REF		
DS3	DIODE, LED, LIGHT BAR MODULE	534834	28480	HLMP 2300	REF		
MP1	STANDOFF, ROUND	357269	89536	357269	2		



732A-1606

Figure 5-2. A1 LED PCB Assembly

Table 5-3. A2 Motherboard PCB Assembly

REF DES	DESCRIPTION	FLUKE STOCK NO.	MFG SPLY CODE	MFG PART NO.	TOT QTY	REC QTY	NOTE
A2	MOTHER BOARD PCB ASSEMBLY FIGURE 5-3 (732A-4005)	650994	89536	650944		REF	
J2	CONNECTOR, MODULAR (27-POSITIONS)	291708	91662	6308-006-313-001	9		
J3	CONNECTOR, MODULAR (18-POSITIONS)	291708	91662	6308-006-313-001	6		
J4	CONNECTOR, MODULAR (6-POSITIONS)	291708	91662	6308-006-313-001	2		
MP1	KEY, CONNECTOR POLARIZING	291716	89536	291716	8		
TP1	CONNECTOR, TEST POINT	512889	02660	62395	2		
TP2	CONNECTOR, TEST POINT	512889	02660	62395	2	REF	
W1, W2	CABLE SET ASSEMBLY (not shown)	651059	89536	651059	1		

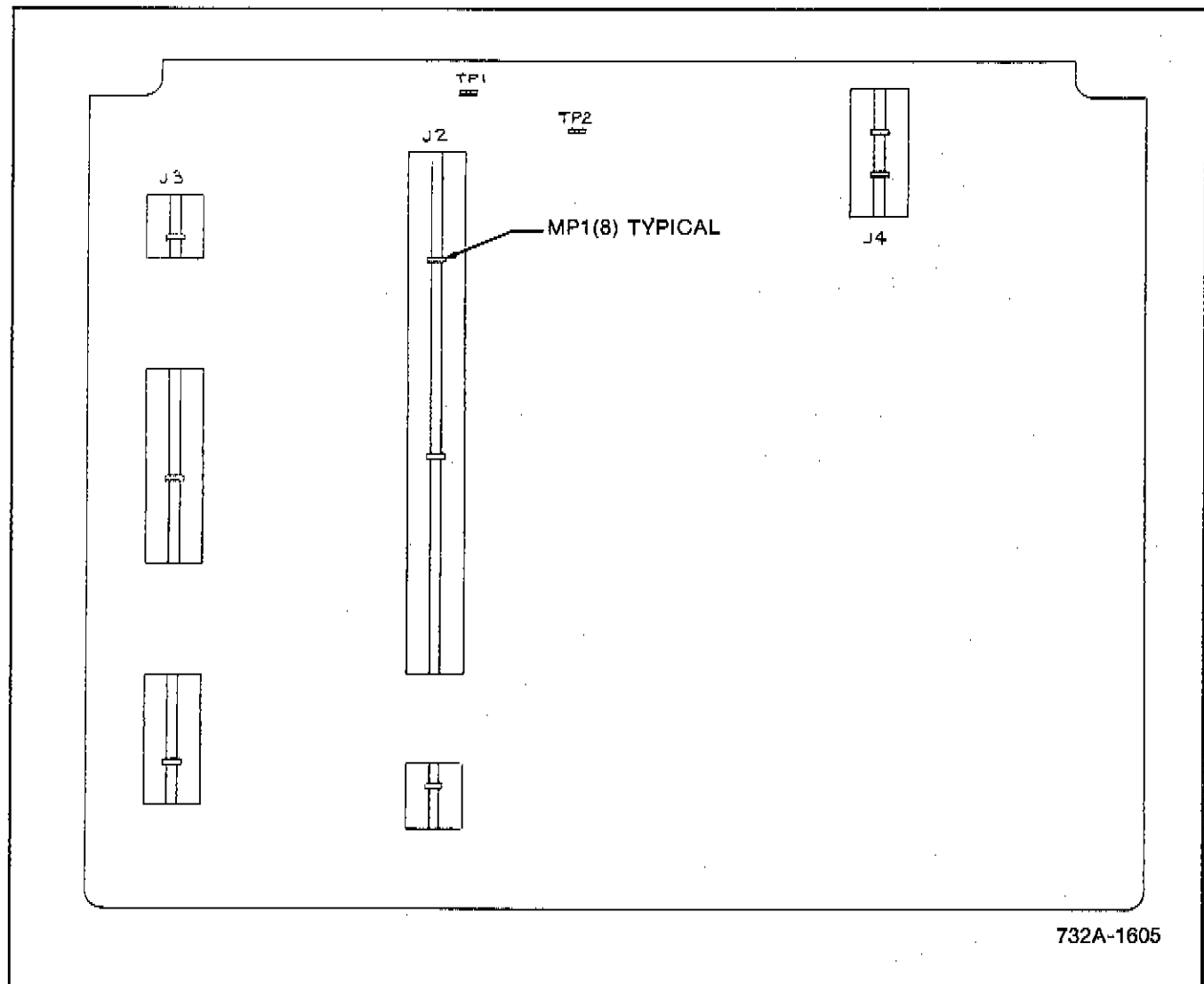


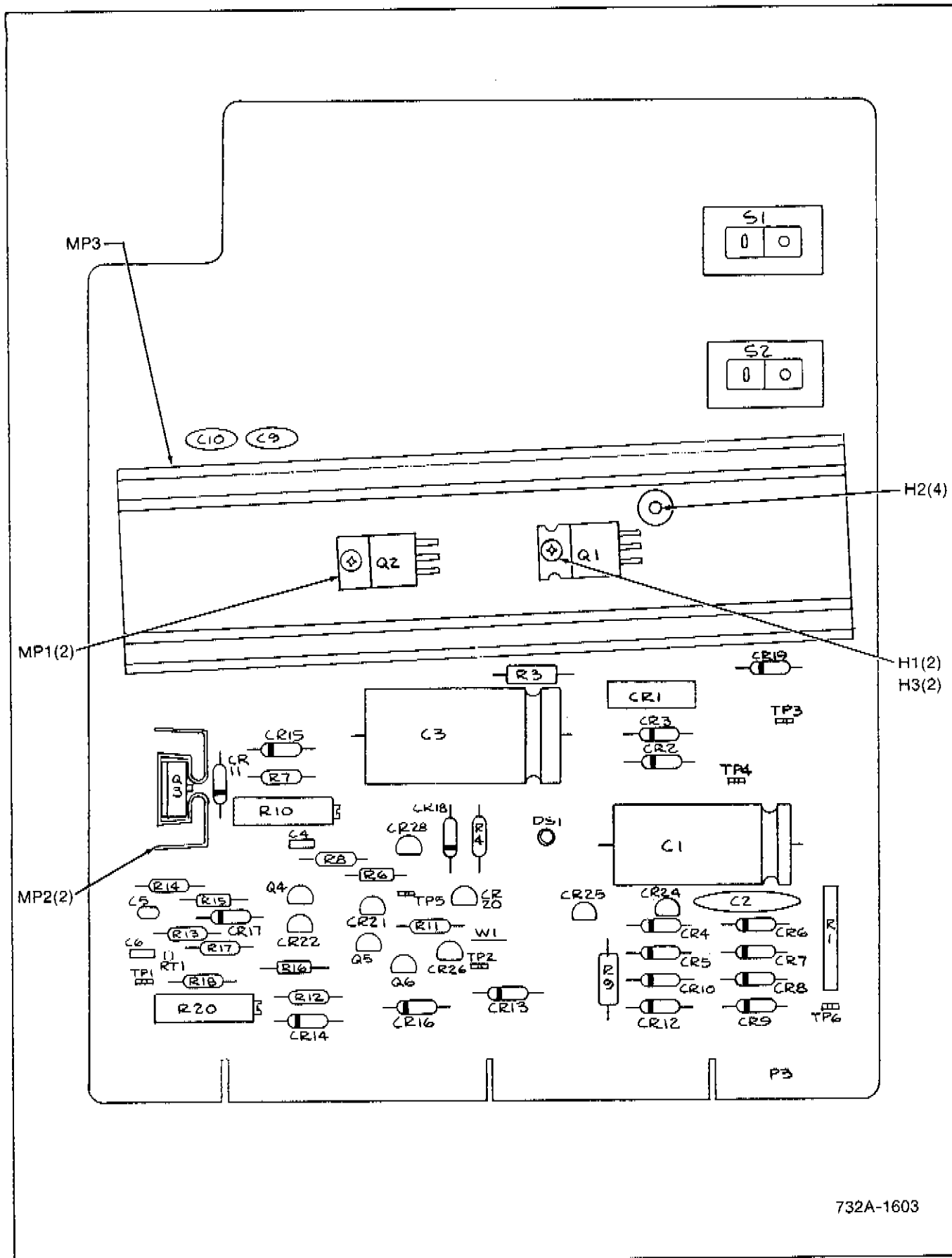
Figure 5-3. A2 Motherboard PCB Assembly

Table 5-4. A3 Pre-Regulator PCB Assembly

REF DES	DESCRIPTION	FLUKE STOCK NO.	MFG SPLY CODE	MFG PART NO.	TOT QTY	REC QTY	NOTE
A3	PRE-REGULATOR PCB ASSEMBLY FIGURE 5-4 (732A-4003)	642264	89536	642264	REF		
C1	CAP, ELECT, 100 UF +75/-20%, 80V	381939	89536	381939	1		
C2	CAP, CER, 0.1 UF +/-20%, 100V	149146	56289	33C41B6	1		
C3	CAP, ELECT, 330 UF -20/+75%, 80V	292862	89536	292862	1		
C4	CAP, CER, 4700 PF +/-20%	362871	72982	8121-A100-W5R-472M	1		
C5	CAP, TA, 1 UF +/-20%, 35V	161919	56289	196D010X0035G	1		
C6	CAP, CER, 0.01 UF +/-20%, 100V	407361	72982	8121-A100-W5R-103M	1		
C9	CAP, CER, 0.05 +/-20%, 50V	149161	56289	55C23A1	2		
C10	CAP, CER, 0.05 +/-20%, 50V	149161	56289	55C23A1	REF		
CR1	RECTIFIER BRIDGE	296509	09423	FB200	1	1	
CR2	DIODE, SI, RECTIFIER	116111	05277	1N4817	4	1	
CR3	DIODE, SI, RECTIFIER	116111	05277	1N4817	REF		
CR4	DIODE, ZEN, UNCOMP, 40V, +/-5%, 1W	407825	12969	UZ8740	1	1	
CR5-CR9	DIODE, SI, HI-SPEED SWITCHING	203323	07910	1N4448	8	2	
CR10	DIODE, ZEN, UNCOMP, +/-10%, 30.0V, 400MW	272633	04713	1N972A	1	1	
CR11	DIODE, SI, HI-SPEED SWITCHING	203323	07910	1N4448	REF		
CR12	DIODE, ZEN, UNCOMP, +/-15%, 5.2V, 4W	233627	89536	233627	2	1	
CR13	DIODE, SI, RECTIFIER	116111	05277	1N4817	REF		
CR14	DIODE, ZEN, UNCOMP, +/-15%, 5.2V, 4W	233627	89536	233627	REF		
CR15	DIODE, ZEN, UNCOMP, +/-5%, 5.6V, 3MA	535559	89536	535559	1	1	
CR16	DIODE, SI, HI-SPEED SWITCHING	203323	07910	1N4448	REF		
CR17	DIODE, SI, HI-SPEED SWITCHING	203323	07910	1N4448	REF		
CR18	DIODE, GE, 80 MA, 100 PIV	149187	93332	1N270	1	1	
CR19	DIODE, SI, RECTIFIER	116111	05277	1N4817	REF		
CR20	DIODE, FED, CURRENT REGULATOR	334839	89536	339839	3	1	
CR21	DIODE, FED, CURRENT REGULATOR	334839	89536	339839	REF		
CR22	DIODE, FED, CURRENT REGULATOR	334839	89536	339839	REF		
CR24	DIODE, FED, CURRENT REGULATOR	429373	89536	429373	1	1	
CR25	DIODE, FED, CURRENT REGULATOR	334714	89536	334714	2	1	
CR26	DIODE, FED, CURRENT REGULATOR	334714	89536	334714	REF		
CR28	DIODE, FED, CURRENT REGULATOR	393454	89536	393454	1	1	
DS1	DIODE, LIGHT EMITTING	369777	89536	369777	1	1	
F1	FUSE, SLO-BLO, 3/8 AMP	109264	89536	109264	1	5	
FL1	FILTER, LINE 250VAC, 50-400HZ, 1 AMP	649988	89536	649988	1		
H1	SCREW, PHP, 4-40 X 5/16	152116	89536	152116	2		
H2	SCREW, PHP, 6-32 X 5/16	152157	89536	152157	4		
H3	WASHER, SHOULDER, #4	485417	89536	485417	2		
H11	NUT, NYLON	222406	89536	222406	4		
H12	NUT, HEX, 4-40	110635	89536	110635	2		
H13	SCREW, THREAD FORMING	574673	89536	574673	4		
H14	SCREW, PHP, 6-32 X 3/8	152165	89536	152165	2		
H15	SCREW, PHP, 6-32 X 5/16	152157	89536	152157	2		
H16	SCREW, PHP, 8-32 X 1/4	228890	89536	228890	2		
H17	WASHER, FLAT PLASTIC, #8	197426	89536	197426	2		
H18	WASHER, FLAT, STEEL, ID 0.125	146225	89536	146225	2		
MP1	INSULATOR, SEMI-CONDUCTOR MOUNTING	508630	55285	7403-09-FR-51	2		
MP2	HEAT SINK	644062	89536	644062	1		
MP3	HEAT SINK	644674	89536	644674	1		

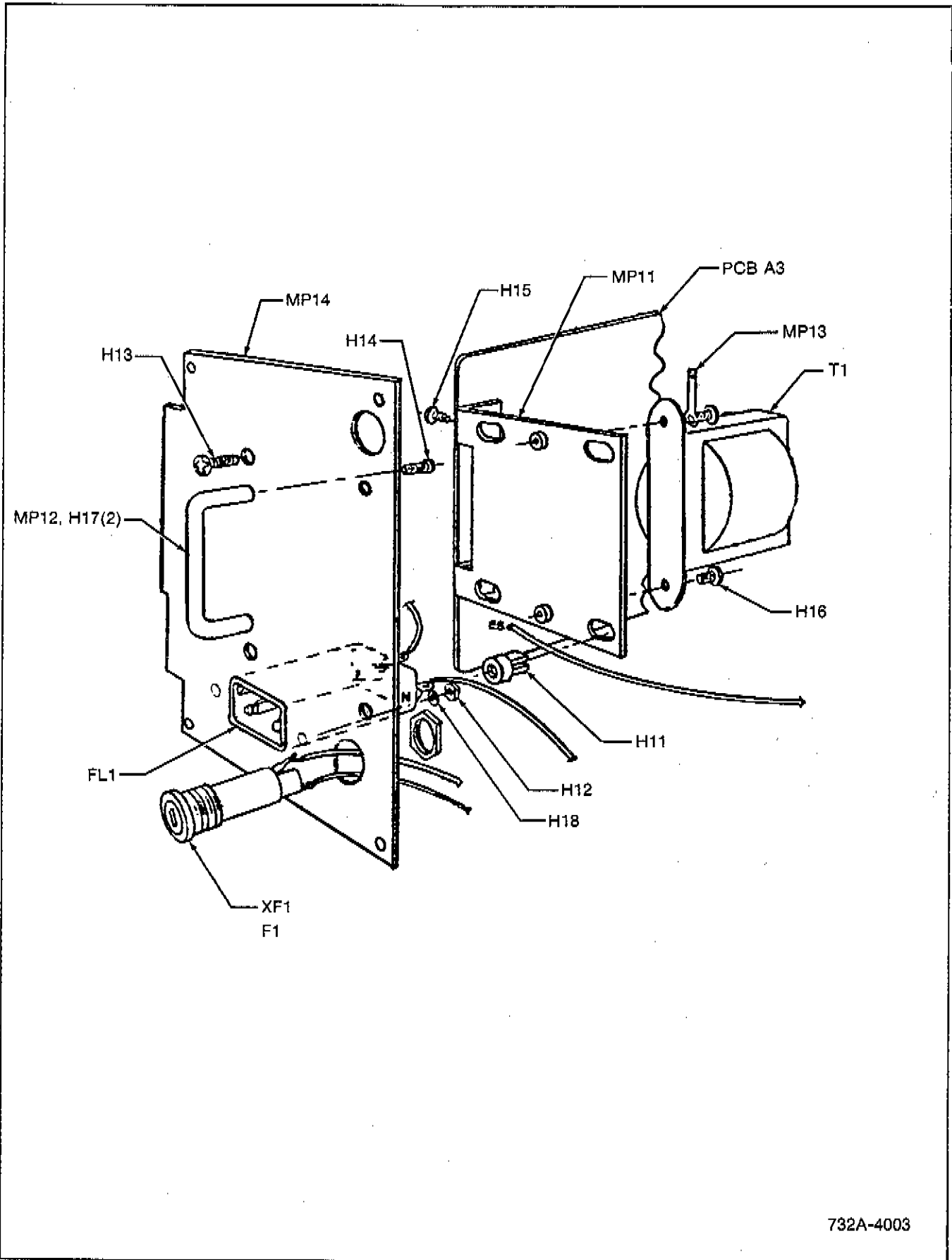
Table 5-4. A3 Pre-Regulator PCB Assembly (cont)

REF DES	DESCRIPTION	FLUKE STOCK NO.	MFG SPLY CODE	MFG PART NO.	TOT QTY	REC QTY	N O T E
MP11	BRACKET, PRE-REGULATOR	641993	89536	641993	1		
MP12	HANDLE, BLACK ALUMINUM	650242	89536	650242	1		
MP13	LUG, SOLDER, 1-1/4" LONG	101030	79963	174	1		
MP14	PANEL, PRE-REGULATOR	644583	89536	644583	1		
Q1	TRANSISTOR, SI, NPN	386128	01295	T1P120	1	1	
Q2	TRANSISTOR, SI, PNP	642694	04713	2N6125	1	1	
Q3	TRANSISTOR, POWER	454033	07263	FT317	1	1	
Q4	TRANSISTOR, SI, NPN, SMALL SIGNAL	242065	04713	2N5089	1	1	
Q5	TRANSISTOR, SI, PNP	195974	04713	2N3906	1	1	
Q6	TRANSISTOR, SI, NPN	168716	04713	2N2484	1	1	
R1	RES, WW, 10M +/-0.5%, 1/2W	212191	89536	212191	1		
R3	RES, COMP, 3.3 +/-5%, 1/2W	188482	01221	EB3R35	1		
R4	RES, MTL. FILM, 1.54K +/-1%, 1/8W	335331	91637	CMF551541F	1		
R6	RES, COMP, 510 +/-5%, 1/4W	218032	01121	CB5115	1		
R7	RES, MTL. FILM, 22.6 +/-1%, 1/8W	296640	91637	CMF5522R6F	1		
R8	RES, MTL. FILM, 402 +/-1%, 1/8W	289611	91637	CMF554020F	1		
R9	RES, COMP, 10K +/-5%, 1/2W	109165	01121	EB1035	1		
R10	RES, VAR, 500 +/-20%, 1/2W	267849	11236	190PC501B	1		
R11	RES, MTL. FILM, 12.7K +/-1%, 1/8W	294918	91637	CMF551272F	1		
R12	RES, MTL. FILM, 16.2K +/-1%, 1/8W	226233	91637	CMF551622F	1		
R13	RES, MTL. FILM, 33.2K +/-0.5%, 1/8W	334102	91637	CMF553322B	1		
R14	RES, MTL. FILM, 17.4K +/-1%, 1/8W	349175	91637	CMF551742F	1		
R15	RES, COMP, 10K +/-5%, 1/4W	148106	01121	CB1035	2		
R16	RES, COMP, 10K +/-5%, 1/4W	148106	01121	CB1035	REF		
R17	RES, MTL. FILM, 6.49K +/-1%, 1/8W	294900	91637	CMF556491F	1		
R18	RES, MTL. FILM, 43.2K +/-1%, 1/8W	312223	91637	CMF554322F	1		
R20	RES, VAR, 50K +/-10%, 1/2W	330688	11236	190PC503B	1		
RT1	THERMISTOR, TEMPERATURE SENSITIVE	104596	73168	JA41J1	1	1	
S1	SWITCH, SLIDE, DPDT	234278	89536	234278	2	1	
S2	SWITCH, SLIDE, DPDT	234278	89536	234278	REF		
T1	TRANSFORMER, POWER	645036	89536	645036	1		
TP1-TP6	CONNECTOR, TEST POINT	512889	02660	62395	6		
W1	WIRE, JUMPER, #22	529271	89536	529271	1		
XF1	FUSEHOLDER, BODY & CAP	424416	89536	424416	1		



732A-1603

Figure 5-4. A3 Pre-Regulator PCB Assembly



732A-4003

Figure 5-4. A3 Pre-Regulator PCB Assembly (cont)

Table 5-5. A4 Regulator PCB Assembly

REF DES	DESCRIPTION	FLUKE STOCK NO.	MFG SPLY CODE	MFG PART NO.	TOT QTY	REC QTY	NOTE
A4	REGULATOR PCB ASSEMBLY FIGURE 5-5 (732A-4002)	642256	89536	642256	REF		
C1	CAP, ELECT, 330 UF +/-20%, 80V	292862	89536	292862	1		
C2	CAP, TA, 82 UF +/-20%, 20V	357392	12954	D82GS2D20M	1		
C3, C4	CAP, TA, 10 UF +/-20%, 35V	417683	56289	196D106X0035KA1	2		
C5	CAP, CER, 0.22 UF +/-20%, 25V	309849	71590	CW3COC224K	3		
C6	CAP, CER, 0.047 UF +/-20%, 50V	460733	71590	CW20C473M	1		
C7	CAP, CER, 0.01 UF -20/+100%, 40V	369579	51406	8121-A050-651-103Z	1		
C8	CAP, CER, 0.22 UF +/-20%, 25V	309849	71590	CW3COC224K	REF		
C9	CAP, TA, 22 UF +/-20%, 25V	357780	56289	196D226X0035TE4	1		
C10	CAP, CER, 0.22 UF +/-20%, 50V	309849	71590	CW3COC224K	REF		
CR1	DIODE, ZEN, UNCOMP,	473744	07910	1N5240	2	1	
CR3	DIODE, SI, HI-SPEED SWITCHING	203323	07910	1N4448	3	1	
CR4	DIODE, ZEN, COMP, +/-5%, 6.4V, 1 MA	330829	07910	1N4571	1	1	
CR5	DIODE, SI, HI-SPEED SWITCHING	203323	07910	1N4448	REF		
CR6	DIODE, SI, HI-SPEED SWITCHING	203323	07910	1N4448	REF		
CR7	DIODE, GE, 80 MA, 100PIV	149187	93332	1N270	2	1	
CR8	DIODE, GE, 80 MA, 100PIV	149187	93332	1N270	REF		
CR9	DIODE, ZEN, UNCOMP,	473744	07910	1N5240	REF		
CR10	DIODE, FED, CURRENT REGULATOR	393454	07910	TCR5290	1	1	
CR12	DIODE, FED, CURRENT REGULATOR	334839	11532	TCR5297	2	1	
CR13	DIODE, FED, CURRENT REGULATOR	348482	89536	348482	1		
CR14	DIODE, FED, CURRENT REGULATOR	334839	11532	TCR5297	REF		
CR15	DIODE, SI, RECTIFIER	116111	05277	1N4817	1	1	
DS1	DIODE, LED, VISIBLE RED	369777	28480	5082-4480	1	1	
Q1	TRANSISTOR, SI, PNP	229898	04713	MPS6522	2	1	
Q2	TRANSISTOR, SI, PNP	218388	07236	2N3645	1	1	
Q3	TRANSISTOR, SI, NPN, SMALL SIGNAL	352138	89536	352138	2	1	
Q4	TRANSISTOR, POWER	454033	07263	FT317	1	1	
Q5	TRANSISTOR, SI, PNP	229898	04713	MPS6522	REF		
Q6	TRANSISTOR, SI, NPN	218396	04713	2N3904	1	1	
Q7	TRANSISTOR, SI, PROGRAMMABLE UNIJUNCTION	268110	03508	2N6027	1	1	
Q8	TRANSISTOR, SI, NPN, SMALL SIGNAL	352138	89536	352138	REF		
Q12	TRANSISTOR, SI, PNP	195974	04713	2N3906	2	1	
Q13	TRANSISTOR, SI, PNP	195974	04713	2N3906	REF		
Q14	TRANSISTOR, SI, PNP	642694	89536	642694	1	1	
R1	RES, MTL. FILM, 348 +/-1%, 1/8W	236778	91637	CMF553480F	1		
R2	RES, MTL. FILM, 1.21K +/-1%, 1/8W	229146	91637	CMF551211F	1		
R3	RES, MTL. FILM, 24.3 +/-1%, 1/8W	281816	91637	CMF5524R3F	1		
R4	RES, MTL. FILM, 8.66K +/-1%, 1/8W, T9	330738	91637	CMF558661F	1		
R5	RES, COMP, 3K +/-5%, 1/4W	193508	01121	CB3025	1		
R6	RES, COMP, 4.3K +/-5%, 1/4W	193375	01121	CB4325	1		
R7	RES, COMP, 18K +/-5%, 1/4W	148122	01121	CB1835	1		
R8	RES, COMP, 91K +/-5%, 1/4W	193300	01121	CB9135	2		
R9	RES, COMP, 91K +/-5%, 1/4W	193300	01121	CB9135	REF		
R10	RES, MTL. FILM, 5K +/-0.1%, 1/8W	340240	91637	CMF555001B	1		
R11	RES, COMP, 10K +/-5%, 1/4W	148106	01121	CB1035	1		
R12	RES, WW, 0.39 +/-5%, 2W	219386	89536	219386	1		
R13	RES, COMP, 2.7 +/-5%, 1W	159376	01121	GB2R75	1		

Table 5-5. A4 Regulator PCB Assembly (cont)

REF DES	DESCRIPTION	FLUKE STOCK NO.	MFG SPLY CODE	MFG PART NO.	TOT QTY	REC QTY	NOTE
R14	RES, COMP, 150K +/-5%, 1/4W	182212	01121	CB1545	1		
R15	RES, COMP, 51K +/-5%, 1/4W	193334	01121	CB5135	2		
R16	RES, COMP, 1M +/-5%, 1/4W	182204	01121	CB1055	1		
R17	RES, COMP, 2.7K +/-5%, 1/4W	170720	01121	CB2725	1		
R18	RES, COMP, 16K +/-5%, 1/2W	159632	01121	EB1635	1		
R19	RES, COMP, 18K +/-5%, 1/2W	187898	01121	EB1835	1		
R20	RES, COMP, 8.2K +/-5%, 1/4W	160796	01121	CB8225	1		
R21	RES, COMP, 1K +/-5%, 1/4W	148023	01121	CB1025	1		
R22	RES, VAR, CERMET, 5K +/-20%, 3/4W	159905	32997	3059Y-1-502	1		
R23	RES, COMP, 270K +/-5%, 1/4W	220061	01121	CB2745	1		
R24	RES, DEP. CAR, 1K +/-5%, 1/4W	343426	80031	CR251-4-5P1K	1		
R25	RES, COMP, 51K +/-5%, 1/4W	193334	01121	CB5135	REF		
R26	RES, COMP, 10 +/-5%, 1/4W	147868	01121	CB1005	1		
TP1-TP3	CONNECTOR, TEST POINT	512889	02660	62395	3		

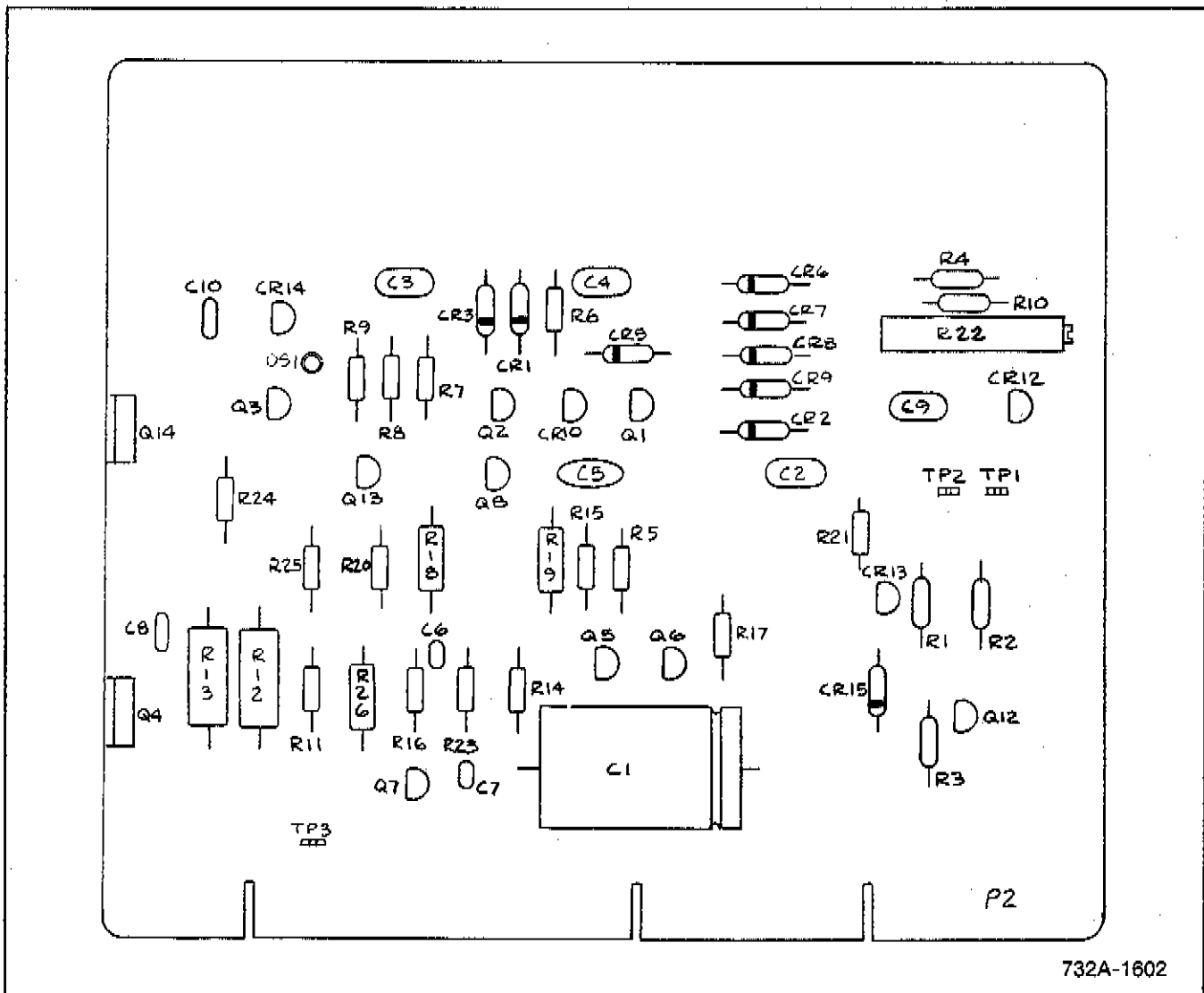


Figure 5-5. A4 Regulator PCB Assembly

Table 5-6. A5 Reference PCB Assembly

REF DES	DESCRIPTION	FLUKE STOCK NO.	MFG SPLY CODE	MFG PART NO.	TOT QTY	REC QTY	NOTE
A5	REFERENCE PCB ASSEMBLY (732A-7601K) FIGURE 5-6 (732A-4001)	644914	89536	642272	REF		
C1	CAP, CER, 0.22 UF +/-20%, 50V	309849	71590	CW3COC224K	5		
C2*	CAP, CER, 0.22 UF +/-20%, 50V	309849	71590	CW3COC224K	REF		
C3*	CAP, POLY, 1 UF +/-10%, 50V	271619	84411	X463UW1029,50W	1		
C4*	CAP, CER, 330 PF, 100V	528620	89536	528620	1		
C5	CAP, CER, 0.22 UF +/-20%, 50V	309849	71590	CW3COC224K	REF		
C6	CAP, CER, 0.22 UF +/-20%, 50V	309849	71590	CW3COC224K	REF		
C7	CAP, CER, 0.005 UF +/-20%, 50V	255471	51642	200-050-601-502M	1		
C8	CAP, POLY, 5.0 UF +/-10%, 50V	313254	84411	X463UW591W	1		
C9	CAP, POLY, 0.47 UF +/-10%, 100V	288860	84411	X463UW06891W	1		
C10	CAP, POLY, 4 UF +/-20%, 50DCV	340281	84411	X463UW405050	1		
C11	CAP, MICA, 270 PF +/-5%, 500V	148452	14655	CD15FD271J0	1		
C12	CAP, MICA, 100 PF +/-5%, 500V	148494	14655	CD15FD101J0	2		
C13	CAP, MICA, 100 PF +/-5%, 500V	148494	14655	CD15FD101J0	REF		
C14*	CAP, CER, 180 PF +/-10%, 1000V	105890	56289	C023B102E181M	1		
C15*	CAP, CER, 0.22 UF +/-20%, 50V	309849	71590	CW3COC224K	REF		
C16	CAP, CER, 0.047 UF +/-20%, 50V	460733	71590	CW20C473M	1		
C17*	CAP, CER, 1200 PF +/-20%, 100V	358283	72982	8121-A100-W5R-122M	1		
CR1*	DIODE, ZEN, UNCOMP, 5.2V +/-15%	233627	89536	233627	1	1	
CR2*	DIODE, ZEN, COMP, 6.4V +/-5%	330829	07910	1N4571	1	1	
CR3	DIODE, SI, HI-SPEED SWITCHING	203323	07910	1N4448	3	1	
CR4	DIODE, SI, HI-SPEED SWITCHING	203323	07910	1N4448	REF		
CR5*	DIODE, FED, CURRENT REGULATOR	334839	89536	334839	1	1	
CR6*	DIODE, ZEN, UNCOMP, 12V +/-5%, 1W	276980	12969	UZ8712	2	1	
CR7*	DIODE, SI, HI-SPEED SWITCHING	203323	07910	1N4448	REF		
CR8	DIODE, ZEN, UNCOMP, 12V +/-5%, 1W	276980	12969	UZ8712	REF		
H1	SCREW, SET, 6-32 X 3/4 (not shown)	643395	89536	643395	1		
MP1	COMPONENT STRAP, RUBBER (not shown)	104794	98159	2829-115-3	1		
MP2	HEATSINK, IC (W/U2)	380220	89536	380220	1		
MP3	INSULATOR, TRANSISTOR (not shown)	658807	89536	658807	1		
MP4	SPACER, NYLON (not shown)	643361	89536	643361	1		
MP5	STANDOFF, NYLON (not shown)	394262	89536	394262	1		
MP6	TERMINAL, TEFLON, FEED-THRU, 4 LEAD (not shown)	281865	12615	SL-841-777	3		
Q1, Q2*	TRANSISTOR, SI, NPN	218396	04713	2N3904	2	1	
Q3, Q4	TRANSISTOR, SI, PNP	195974	04713	2N3906	2	1	
Q5*	TRANSISTOR, SI, NPN, DOUBLE DIFF	352138	89536	352138	1		
R1*	RES, DEP. CAR, 200 +/-5%, 1/4W	193482	80031	CR251-4-5P200E	1		
R2, R3*	MATCHED RESISTOR SET	634824	89536	634824	1		
R4*	RES, WW, 1.27K	634915	89536	634915	1		
R5*	REF AMP SET (includes R5, R9 and U2)	645010	89536	645010	1		

Table 5-6. A5 Reference PCB Assembly (cont)

REF DES	DESCRIPTION	FLUKE STOCK NO.	MFG SPLY CODE	MFG PART NO.	TOT QTY	REC QTY	N O T E
R6*	RES, MTL. FILM, 51.1K +/-1%, 1/8W	289553	91637	CMF555112F	2		
R7, R8*	RES, REF. AMP DIVIDER SET	346304	89536	346304	1		
R9*	REF AMP SET (includes R5, R9 and U2)				REF		
R10*	RES, WW, 250 +/-0.6%, 1/2W	238485	89536	238485	6		
R11*	RES, WW, 250 +/-0.6%, 1/2W	238485	89536	238485	REF		
R12*	RES, WW, 20	634840	89536	634840	1		
R13*	RES, WW, 125 +/-0.5%, 1/2W	213934	89536	213934	1		
R14*	RES, WW, 250 +/-0.06%, 1/2W	238485	89536	238485	1		
R15	RES, WW, 500 +/-0.06%, 1/2W	195388	89536	195388	2		
R16*	RES, WW, 1K, 1/2W	131706	89536	131706	2		
R17*	RES, WW, 2K, 1/2W	131714	89536	131714	1		
R18*	RES, WW, 500 +/-0.06%, 1/2W	195388	89536	195388	REF		
R19*	RES, WW, 35 +/-0.5%, 1/4W	634907	89536	634907	5		
R20*	RES, VAR, CERMET, 100 +/-20%, 3/4W	159889	32997	3059Y-1-101	1		
R21	RES, MTL. FILM, 4.553K +/-0.1%, 1/8W	386292	89536	386292	1		
R22	RES, MTL. FILM, 17.4K +/-1%, 1/8W	335372	91637	CMF551742F	1		
R23	RES, COMP, 51 +/-5%, 1/4W	221879	01121	CB5105	3		
R24*	RES, COMP, 10 +/-5%, 1/4W	147868	01121	CB1005	1		
R25*	RES, COMP, 30K +/-5%, 1/4W	193417	01121	CB3035	1		
R26*	RES, COMP, 51 +/-5%, 1/4W	221879	01121	CB5105	REF		
R27	RES, MTL. FILM, 10K +/-0.1%, 1/8W	435065	89536	435065	1		
R28	RES, MTL. FILM, 7.50K +/-1%, 1/8W	484881	91637	CMF557501F	1		
R29	RES, MTL. FILM, 19.1K +/-1%, 1/8W, T9	291518	91637	CMF551912F	1		
R30	RES, MTL. FILM, 2.15K +/-1%, 1/8W	347039	91637	CMF552151F	1		
R31	RES, MTL. FILM, 1K +/-0.1%, 1/8W	340380	89536	340380	1		
R32	RES, COMP, 6.2M +/-5%, 1/4W	221960	01121	CB6255	1		
R33	RES, COMP, 5.1M +/-5%, 1/4W	296467	01121	CB5155	1		
R34	RES, COMP, 2.4M +/-5%, 1/4W	221945	01121	CB2455	1		
R35	RES, COMP, 27M +/-5%, 1/4W	221994	01121	CB2765	2		
R36	RES, COMP, 27M +/-5%, 1/4W	221994	01121	CB2765	REF		
R37	RES, COMP, 1K +/-5%, 1/4W	148023	01121	CB1025	1		
R38	RES, COMP, 51K +/-5%, 1/4W	193334	01121	CB5135	3		
R39	RES, COMP, 51K +/-5%, 1/4W	193334	01121	CB5135	REF		
R40	RES, COMP, 10K +/-5%, 1/4W	148106	01121	CB1035	1		
R41	RES, COMP, 6.8M +/-5%, 1/4W	394064	01121	CB6855	1		
R42	RES, COMP, 51K +/-5%, 1/4W	193334	01121	CB5135	REF		
R43	RES, COMP, 100K +/-5%, 1/4W	148189	01121	CB1045	1		
R44*	RES SET	652784	89536	652784	1		
	(includes R44 and R46)						
R45*	RES SET	652792	89536	652792	1		
	(includes R45 and R47)						
R46*	RES, SET, (includes R44 and R46)				REF		
R47*	RES, SET, (includes R45 and R47)				REF		
R48*	RES, WW, 35 +/-0.5%, 1/4W	634907	89536	634907	REF		
R49*	RES, WW, 35 +/-0.5%, 1/4W	634907	89536	634907	REF		
R50-R53*	RES, WW, 250 +/-0.6%, 1/2W	238485	89536	238485	REF		
R54*	RES, WW, 35 +/-0.5%, 1/4W	634907	89536	634907	REF		
R55*	RES, WW, 35 +/-0.5%, 1/4W	634907	89536	634907	REF		
R56	RES, WW, 1K, 1/2W	131706	89536	131706	REF		
R57*	RES, WW, 350	642801	89536	642801	1		

Table 5-6. A5 Reference PCB Assembly (cont)

REF DES	DESCRIPTION	FLUKE STOCK NO.	MFG SPLY CODE	MFG PART NO.	TOT QTY	REC QTY	NOTE
R58*	RES, VAR, 200 +/-20%, 3/4W	186213	73138	78PR200	1		
R59*	RES, VAR, 10 TURN, 200 +/-3%, 2W	542928	32997	3500-2-201	1		
R60*	RES, MTL. FILM, 51.1K +/-1%, 1/8W	289553	91637	CMF555112F	REF		
R61	RES, COMP, 1M +/-5%, 1/4W	182204	01121	CB1055	1		
R62*	RES, COMP, 2.7 +/-5%, 1/2W	218743	01121	EB2R75	2		
R63*	RES, COMP, 2.7 +/-5%, 1/2W	218743	01121	EB2R75	REF		
R64*	RES, COMP, 51 +/-5%, 1/4W	221879	01121	CB5105	REF		
RT1,RT2	THERMISTOR, TEMPERATURE SENSITIVE	104596	73168	JA41J1	2	1	
TP1-TP14	CONNECTOR, TEST POINT	512889	02660	62395	14		
U1*	IC, LIN, OP-AMP, METAL CAN	288928	12040	LM308AH	1	1	
U2*	REF AMP SET (includes R5, R9 and U2)				REF		
U3	IC, LIN, OP-AMP, DUAL COMPENSATED	473777	12040	LM358N	1	1	
U4	IC, LIN, OP-AMP	284760	12040	LM308H	2	1	
U5	IC, LIN, OP-AMP	284760	12040	LM308H	REF		
	* IF ANY OF THESE COMPONENTS NEED TO BE REPLACED, EITHER RETURN THE INSTRUMENT TO YOUR NEAREST FLUKE SERVICE CENTER FOR REPAIR, OR REPLACE THE ENTIRE REFERENCE PCB ASSEMBLY, PART NO. 644914.						

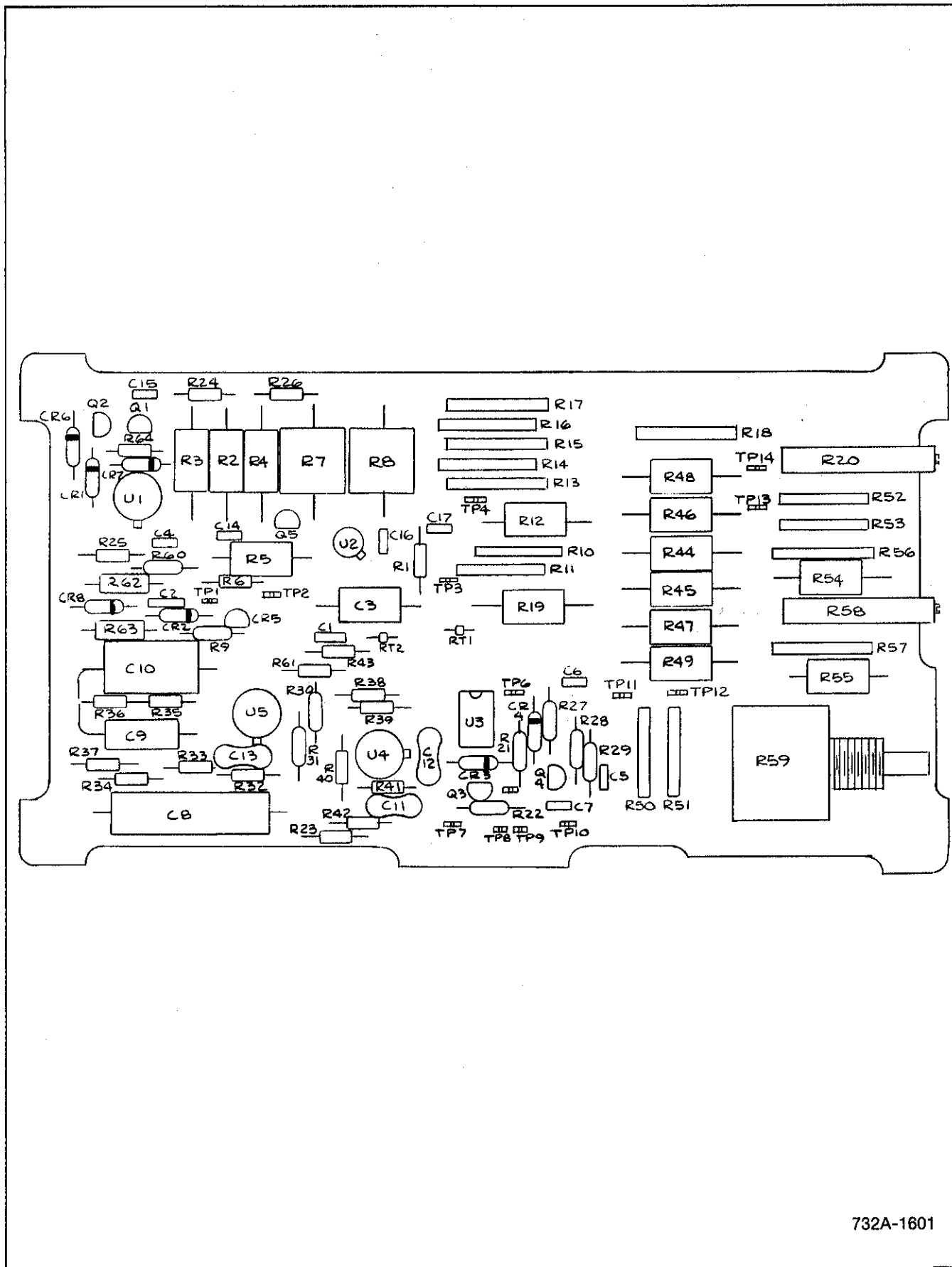


Figure 5-6. A5 Reference PCB Assembly

732A-1601

Table 5-7. A6 Battery Module PCB Assembly

REF DES	DESCRIPTION	FLUKE STOCK NO.	MFG SPLY CODE	MFG PART NO.	TOT QTY	REC QTY	NOTE
A6	BATTERY MODULE PCB ASSEMBLY FIGURE 5-7 (732A-4004)	651000	89536	651000	REF		
BT1-BT4	BATTERY, 6V GEL-CELL	501379	89536	501379	4		
CR1	DIODE, SI, RECTIFIER	116111	05277	1N4817	1	1	
DS1	LAMP, MINIATURE	643346	89536	643346	1	1	
H1	NUT, INSULATOR	279398	89536	279398	4		
H2	SCREW, THREAD FORMING	574673	89536	574673	4		
H3	SCREW, PHP, 4-24 X 3/8	183574	89536	183574	3		
H4	SCREW, PHP, 6-32 X 1/4	152140	89536	152140	12		
H5	SCREW, FHP, UNDERCUT, 6-32 X 1/4	320093	89536	320093	13		
H6	SCREW, PHP, 6-32 X 3/8	152165	89536	152165	2		
H7	WASHER, PLASTIC, #8	197426	89536	197426	2		
J1-J4	CONNECTOR, PCB, HEADER	501759	00779	350209-1	4		
MP1	BATTERY ENCLOSURE, FRONT END	644682	89536	644682	1		
MP2	BATTERY ENCLOSURE, REAR END	644732	89536	644732	1		
MP3	BATTERY ENCLOSURE, TOP	644690	89536	644690	1		
MP4	BATTERY ENCLOSURE, BOTTOM	644708	89536	644708	1		
MP5	BATTERY ENCLOSURE, INBOARD SIDE (not shown)	644716	89536	644716	1		
MP6	BATTERY PANEL, w/SWITCH SWITCH ONLY	644591 309336	89536 89536	644591 309336	1 1		
MP7	BATTERY ENCLOSURE, OUTBOARD SIDE	644724	89536	644724	1		
MP8	JACK, NYLON, BANANA TYPE, RED	162065	74970	108-0902-001	1		
MP9	JACK, NYLON, BANANA TYPE, BLK	162073	74970	108-0903-001	3		
MP10	HANDLE, ALUMINUM, BLACK, 6-32	650242	89536	650242	1		
R1	RES, COMP, 51K +/-5%, 1/4W	193334	01121	CB5135	1		
RT1	THERMISTOR, TEMPERATURE SENSITIVE	104596	73168	JA41J1	2	1	
RT2	THERMISTOR, TEMPERATURE SENSITIVE	104596	73168	JA41J1	REF		
XDS1	HOLDER, COMPONENT	103028	99378	100-200-16-27	2		

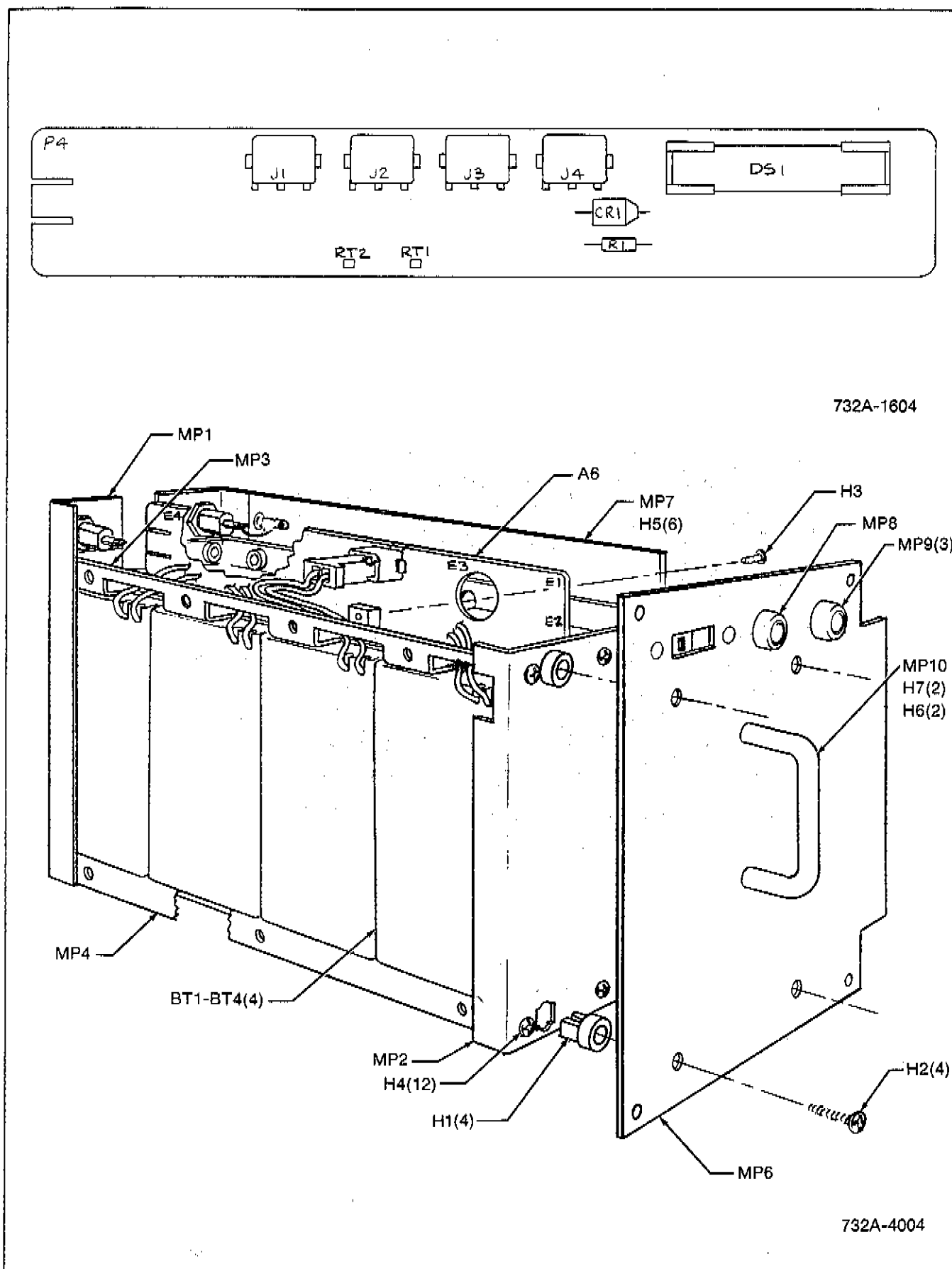
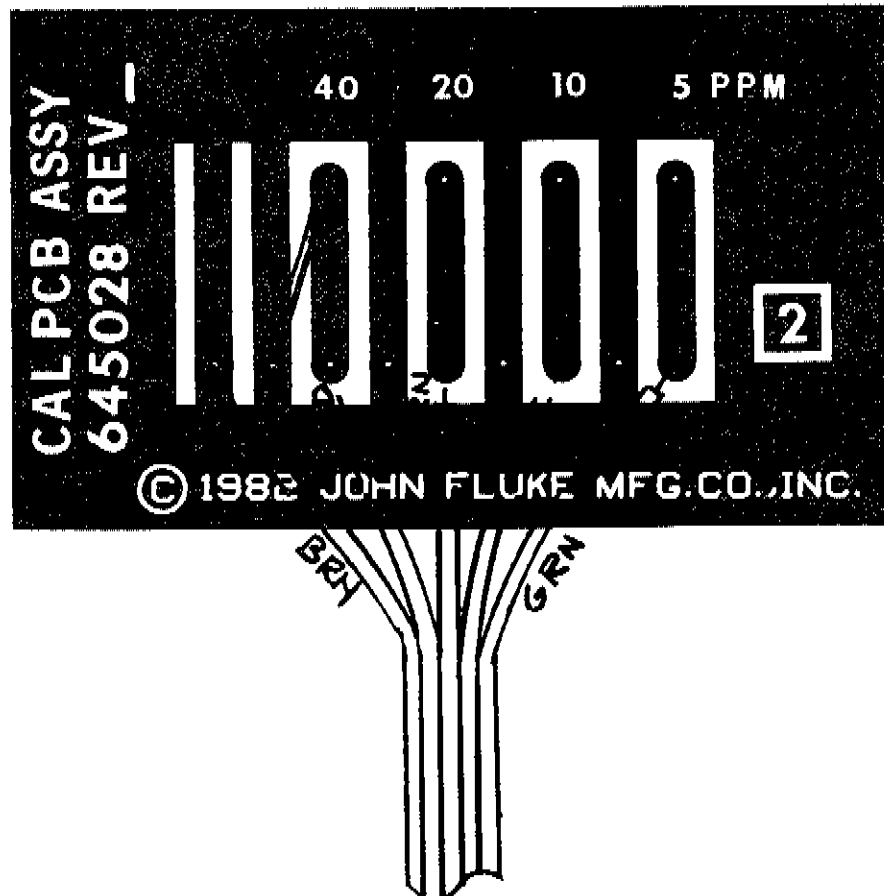


Figure 5-7. A6 Battery Module PCB Assembly

Table 5-8. A7 Calibration PCB Assembly

REF DES	DESCRIPTION	FLUKE STOCK NO.	MFG SPLY CODE	MFG PART NO.	TOT QTY	REC QTY	NOTE
A7	CALIBRATION PCB ASSEMBLY FIGURE 5-8 (732A-4007) includes cable	645028	89536	645028			REF



732A-4007

Figure 5-8. A7 Calibration PCB Assembly

Section 6 Accessories

6-1. INTRODUCTION

6-2. This section of the manual describes the accessories available for use with the model 732A.

6-3. DUAL MOUNTING FASTENER (M00-800-523)

6-4. The Dual Mounting Fastener is a 8-32 threaded fastener designed for bolting two half-rack width instruments together. The Dual Mounting Fasteners may be used for either dual rack mounting applications (as used in the M07-200-603 Full-Width Rack Mount Kit) or dual table top applications. Four M00-800-523 fasteners are required for each pair of half-rack width instruments.

6-5. HALF-WIDTH RACK MOUNT KIT (M07-203-601)

6-6. The Half-Width Rack Mounting kit permits the 732A to be rack mounted. A blank filler panel is supplied, allowing left or right hand offset mounting. Assembly instructions are supplied with the kit.

6-7. FULL-WIDTH RACK MOUNT KIT (M07-200-603)

6-8. The Full Width Rack Mounting kit permits the 732A to be rack mounted side-by-side with another half rack width instrument. This rack mounting method requires the 732A to be bolted to the adjacent instrument. To facilitate bolting the instruments together, four M00-

800-523, Dual Mounting Fasteners are included with the kit. Assembly instructions are supplied with the kit.

6-9. LOW THERMAL EMF CABLE ASSEMBLY (5440A-7002)

6-10. The Low Thermal EMF Cable Assembly minimizes the effects of thermal emf errors in test and calibration set-ups. The plugs used are made of the same material as the jacks used in the instrument. Connections between the cables and plugs are carefully made to minimize generation of thermal errors.

6-11. BATTERY PACK (732A-7001)

6-12. The Battery Pack is a replacement module for the rear panel, Battery Module on the 732A. It may be used as an additional auxiliary source, or as a spare.

6-13. TRANSIT CASE (732A-7002)

6-14. The Transit Case provides a means of transporting the 732A while continuously powered by a battery source contained within the Transit Case. This allows continuity of standardization transportation over long distances.

6-15. BATTERY CHARGER (732A-7003)

6-16. The Battery Charger provides the capability to charge up to four battery packs at once. This unit is designed to be used with the transit case for extended battery operation during transit.

Section 7 General Information

7-1. This section of the manual contains generalized user information as well as supplemental information to the List of Replaceable Parts contained in Section 5.

List of Abbreviations and Symbols

A or amp	ampere	hf	high frequency	(+) or pos	positive
ac	alternating current	Hz	hertz	pot	potentiometer
af	audio frequency	IC	integrated circuit	p-p	peak-to-peak
a/d	analog-to-digital	if	intermediate frequency	ppm	parts per million
assy	assembly	in	inch(es)	PROM	programmable read-only memory
AWG	american wire gauge	intl	internal	psi	pound-force per square inch
B	bel	I/O	input/output	RAM	random-access memory
bcd	binary coded decimal	k	kilo (10 ³)	rf	radio frequency
°C	Celsius	kHz	kilohertz	rms	root mean square
cap	capacitor	kΩ	kiloohm(s)	ROM	read-only memory
ccw	counterclockwise	kV	kilovolt(s)	s or sec	second (time)
cer	ceramic	lf	low frequency	scope	oscilloscope
cermet	ceramic to metal(seal)	LED	light-emitting diode	SH	shield
ckt	circuit	LSB	least significant bit	Si	silicon
cm	centimeter	LSD	least significant digit	serno	serial number
cmrr	common mode rejection ratio	M	mega (10 ⁶)	sr	shift register
comp	composition	m	milli (10 ⁻³)	Ta	tantalum
cont	continue	mA	milliampere(s)	tb	terminal board
crt	cathode-ray tube	max	maximum	tc	temperature coefficient or temperature compensating
cw	clockwise	mf	metal film	tcxo	temperature compensated crystal oscillator
d/a	digital-to-analog	MHz	megahertz	tp	test point
dac	digital-to-analog converter	min	minimum	u or μ	micro (10 ⁻⁶)
dB	decibel	mm	millimeter	uhf	ultra high frequency
dc	direct current	ms	millisecond	us or μs	microsecond(s) (10 ⁻⁶)
dmm	digital multimeter	MSB	most significant bit	uut	unit under test
dvm	digital voltmeter	MSD	most significant digit	V	volt
elect	electrolytic	MTBF	mean time between failures	v	voltage
ext	external	MTTR	mean time to repair	var	variable
F	farad	mV	millivolt(s)	vco	voltage controlled oscillator
°F	Fahrenheit	mv	multivibrator	vhf	very high frequency
FET	Field-effect transistor	MΩ	megohm(s)	vlf	very low frequency
ff	flip-flop	n	nano (10 ⁻⁹)	W	watt(s)
freq	frequency	na	not applicable	ww	wire wound
FSN	federal stock number	NC	normally closed	xfmr	transformer
g	gram	(-) or neg	negative	xstr	transistor
G	giga (10 ⁹)	NO	normally open	xtal	crystal
gd	guard	ns	nanosecond	xtlo	crystal oscillator
Go	germanium	opnl ampl	operational amplifier	Ω	ohm(s)
GHz	gigahertz	p	pico (10 ⁻¹²)	μ	micro (10 ⁻⁶)
gmV	guaranteed minimum value	para	paragraph		
gnd	ground	pcb	printed circuit board		
H	henry	pF	picofarad		
hd	heavy duty	pn	part number		

Federal Supply Codes for Manufacturers

00213 Nytronics Comp. Group Inc. Subsidiary of Nytronics Inc. Formerly Sage Electronics Rochester, New York	02860 Bunker Ramo Corp., Conn Div. Formerly Amphenol-Borg Electric Corp. Broadview, Illinois	04946 Standard Wire & Cable Los Angeles, California	06751 Components, Inc. Semcor Div. Phoenix, Arizona
00327 Welwyn International, Inc. Westlake, Ohio	02799 Aero Capacitors, Inc. Chatsworth, California	05082 Replaced by 94988	06860 Gould Automotive Div. City of Industry, California
00656 Aerovox Corp. New Bedford, Massachusetts	03508 General Electric Co. Semiconductor Products Syracuse, New York	05236 Jonathan Mfg. Co. Fullerton, California	06961 Vernitron Corp., Piezo Electric Div. Formerly Clevite Corp., Piezo Electric Div. Bedford, Ohio
00686 Film Capacitors, Inc. Passaic, New Jersey	03614 Replaced by 71400	05245 Components Corp. now Corcom, Inc. Chicago, Illinois	06980 Eimac Div. Varian Associates San Carlos, California
00779 AMP Inc. Harrisburg, Pennsylvania	03651 Replaced by 44655	05277 Westinghouse Electric Corp. Semiconductor Div. Youngwood, Pennsylvania	07047 The Ross Milton Co. South Hampton, Pennsylvania
01121 Allen-Bradley Co. Milwaukee, Wisconsin	03797 Eldema Div. Genisco Technology Corp. Compton, California	05278 Replaced by 43543	07115 Replaced by 14674
01281 TRW Electronic Comp. Semiconductor Operations Lawndale, California	03877 Transistron Electronic Corp. Wakefield, Massachusetts	05279 Southwest Machine & Plastic Co. Glendora, California	07138 Westinghouse Electric Corp., Electronic Tube Div. Horsehead, New York
01295 Texas Instruments, Inc. Semiconductor Group Dallas, Texas	03888 KDI Pyrofilm Corp. Whippany, New Jersey	05397 Union Carbide Corp. Materials Systems Div. New York, New York	07233 TRW Electronic Components Cinch Graphic City of Industry, California
01537 Motorola Communications & Electronics Inc. Franklin Park, Illinois	03911 Clairex Electronics Div. Clairex Corp. Mt. Vernon, New York	05571 Use 56289 Sprague Electric Co. Pacific Div. Los Angeles, California	07256 Silicon Transistor Corp. Div. of BBF Group Inc. Chelmsford, Massachusetts
01686 RCL Electronics Inc. Manchester, New Hampshire	03980 Muirhead Inc. Mountainside, New Jersey	05574 Viking Industries Chatsworth, California	07261 Aumat Corp. Culver City, California
01730 Replaced by 73586	04009 Arrow Hart Inc. Hartford, Connecticut	05704 Replaced by 16258	07263 Fairchild Semiconductor Div. of Fairchild Camera & Instrument Corp. Mountain View, California
01884 Use 56289 Sprague Electric Co. Dearborn Electronic Div. Lockwood, Florida	04062 Replaced by 72136	05820 Wakefield Engineering Inc. Wakefield, Massachusetts	07344 Bircher Co., Inc. Rochester, New York
02114 Ferroxcube Corp. Saugerties, New York	04202 Replaced by 81312	06001 General Electric Co. Electronic Capacitor & Battery Products Dept. Columbia, South Carolina	07597 Burndy Corp. Tape/Cable Div. Rochester, New York
02131 General Instrument Corp. Harris ASW Div. Westwood, Maine	04217 Essex International Inc. Wire & Cable Div. Anaheim, California	06136 Replaced by 63743	07792 Lerma Engineering Corp. Northampton, Massachusetts
02395 Rason Mfg. Co. Brooklyn, New York	04221 Aemco, Div. of Midtex Inc. Mankato, Minnesota	06383 Panduit Corp. Tinley Park, Illinois	07910 Teledyne Semiconductor Formerly Continental Device Hawthorne, California
02533 Snelgrove, C.R. Co., Ltd. Don Mills, Ontario, Canada M3B 1M2	04222 AVX Ceramics Div. AVX Corp. Myrtle Beach, Florida	06473 Bunker Ramo Corp. Amphenol SAMS Div. Chatsworth, California	07933 Use 49956 Raytheon Co. Semiconductor Div. HQ Mountain View, California
02606 Fenwal Labs Div. of Travenal Labs. Morton Grove, Illinois	04423 Telonic Industries Laguna Beach, California	06555 Beebe Electrical Instrument Co. Penacook, New Hampshire	08225 Industro Transistor Corp. Long Island City, New York
	04645 Replaced by 75376	06739 Electron Corp. Littleton, Colorado	
	04713 Motorola Inc. Semiconductor Products Phoenix, Arizona	06743 Clevite Corp. Cleveland, Ohio	

Federal Supply Codes for Manufacturers (cont)

08261 Spectra Strip Corp. Garden Grove, California	11726 Qualidyne Corp. Santa Clara, California	13606 Use 56289 Sprague Electric Co. Transistor Div. Concord, New Hampshire	16299 Corning Glass Electronic Components Div. Raleigh, North Carolina
08530 Reliance Mica Corp. Brooklyn, New York	12014 Chicago Rivet & Machine Co. Bellwood, Illinois	13839 Replaced by 23732	16332 Replaced by 28478
08806 General Electric Co. Miniature Lamp Products Dept Cleveland, Ohio	12040 National Semiconductor Corp. Danbury, Connecticut	14099 Semtech Corp. Newbury Park, California	16473 Cambridge Scientific Ind. Div. of Chemed Corporation Cambridge, Maryland
08863 Nylomatic Corp. Norrisville, Pennsylvania	12060 Diodes, Inc. Chatsworth, California	14140 Edison Electronic Div. Mc Gray-Edison Co. Manchester, New Hampshire	16742 Paramount Plastics Fabricators, Inc. Downey, California
08988 Use 53085 Skottie Electronics Inc. Archbald, Pennsylvania	12136 Philadelphia Handle Co. Camden, New Jersey	14193 Cal-R-Inc. formerly California Resistor. Corp. Santa Monica, California	16758 Delco Electronics Div. of General Motors Corp. Kokomo, Indiana
09214 G.E. Co. Semi-Conductor Products Dept. Power Semi-Conductor Products OPN Sec. Auburn, New York	12300 Potter-Brumfield Div. AMF Canada LTD. Guelph, Ontario, Canada	14298 American Components, Inc. an Insilco Co. Conshohocken, Pennsylvania	17001 Replaced by 71468
09353 C and K Components Watertown, Massachusetts	12323 Presin Co., Inc. Shelton, Connecticut	14655 Cornell-Dublier Electronics Division of Federal Pacific Electric Co. Govt. Control Dept. Newark, New Jersey	17069 Circuit Structures Lab. Burbank, California
09423 Scientific Components, Inc. Santa Barbara, California	12327 Freeway Corp. formerly Freeway Washer & Stamping Co. Cleveland, Ohio	14752 Electro Cube Inc. San Gabriel, California	17338 High Pressure Eng. Co., Inc. Oklahoma City, Oklahoma
09922 Burndy Corp. Norwalk, Connecticut	12443 The Budd Co. Polychem Products Plastic Products Div. Bridgeport, Pennsylvania	14889 Replaced by 96853	17545 Atlantic Semiconductors, Inc. Asbury Park, New Jersey
09969 Dale Electronics Inc. Yankton, S. Dakota	12615 U.S. Terminals Inc. Cincinnati, Ohio	14936 General Instrument Corp. Semi Conductor Products Group Hicksville, New York	17856 Siliconix, Inc. Santa Clara, California
10059 Barker Engineering Corp. Formerly Amerace, Amerace ESNA Corp. Kenilworth, New Jersey	12617 Hamlin Inc. Lake Mills, Wisconsin	15636 Elec-Trol Inc. Saugus, California	17870 Replaced by 14140
11236 CTS of Berne Berne, Indiana	12697 Clarostat Mfg. Co. Dover, New Hampshire	15801 Fenwal Electronics Inc. Div. of Kidde Walter and Co., Inc. Framingham, Massachusetts	18178 Vactec Inc. Maryland Heights, Missouri
11237 CTS Keene Inc. Paso Robles, California	12749 James Electronics Chicago, Illinois	15818 Teledyne Semiconductors, formerly Amelco Semiconductor Mountain View, California	18324 Signetics Corp. Sunnyvale, California
11358 CBS Electronic Div. Columbia Broadcasting System Newburyport, Minnesota	12856 Micrometals Sierra Madre, California	15849 Litton Systems Inc. Useco Div. formerly Useco Inc. Van Nuys, California	18612 Vishay Resistor Products Div. Vishay Intertechnology Inc. Malvern, Pennsylvania
11403 Best Products Co. Chicago, Illinois	12954 Dickson Electronics Corp. Scottsdale, Arizona	15898 International Business Machines Corp. Essex Junction, Vermont	18736 Voltronics Corp. Hanover, New Jersey
11503 Keystone Columbia Inc. Warren, Michigan	12969 Unitrode Corp. Watertown, Massachusetts	15909 Replaced by 14140	18927 GTE Sylvania Inc. Precision Material Group Parts Division Titusville, Pennsylvania
11532 Teledyne Relays Hawthorne, California	13103 Thermalloy Co., Inc. Dallas, Texas	16258 Space-Lok Inc. Burbank, California	19451 Perine Machinery & Supply Co. Seattle, Washington
11711 General Instrument Corp. Rectifier Division Hicksville, New York	13327 Solitron Devices Inc. Tappan, New York		19701 Electro-Midland Corp. Mepco-Electra Inc. Mineral Wells, Texas
	13511 Amphenol Cadre Div. Bunker-Ramo Corp. Los Gatos, California		20584 Enochs Mfg. Inc. Indianapolis, Indiana

Federal Supply Codes for Manufacturers (cont)

20891 Self-Organizing Systems, Inc. Dallas, Texas	28480 Hewlett Packard Co. Corporate HQ Palo Alto, California	43543 Nytronics Inc. Transformer Co. Div. Geneva, New York	70903 Belden Corp. Geneva, Illinois
21604 Bucheye Stamping Co. Columbus, Ohio	28520 Heyman Mfg. Co. Kenilworth, New Jersey	44655 Ohmite Mfg. Co. Skokie, Illinois	71002 Birnback Radio Co., Inc. Freeport, New York
21845 Sollitron Devices Inc. Transistor Division Riveria Beach, Florida	29083 Monsanto, Co., Inc. Santa Clara, California	49671 RCA Corp. New York, New York	71400 Bussmann Mfg. Div. of McGraw-Edison Co. Saint Louis, Missouri
22767 ITT Semiconductors Palo Alto, California	29604 Stackpole Components Co. Raleigh, North Carolina	49956 Raytheon Company Lexington, Massachusetts	71450 CTS Corp. Elkhart, Indiana
23050 Product Comp. Corp. Mount Vernon, New York	30148 AB Enterprise Inc. Ahoskie, North Carolina	50088 Mostek Corp. Carrollton, Texas	71468 ITT Cannon Electric Inc. Santa Ana, California
23732 Tracor Inc. Rockville, Maryland	30323 Illinois Tool Works, Inc. Chicago, Illinois	50579 Litronix Inc. Cupertino, California	71482 Clare, C.P. & Co. Chicago, Illinois
23880 Stanford Applied Engrng. Santa Clara, California	31091 Optimax Inc. Colmar, Pennsylvania	51605 Scientific Components Inc. Linden, New Jersey	71590 Centrelab Electronics Div. of Globe Union Inc. Milwaukee, Wisconsin
23936 Pamotor Div., Wm. J. Purdy Co. Burlingame, California	32539 Mura Corp. Great Neck, New York	53021 Sangamo Electric Co. Springfield, Illinois	71707 Coto Coil Co., Inc. Providence, Rhode Island
24248 Replaced by 94222	32767 Griffith Plastic Corp. Burlingame, California	54294 Cutler-Hammer Inc. formerly Shallcross, A Cutter-Hammer Co. Selma, North Carolina	71744 Chicago Miniature Lamp Works Chicago, Illinois
24355 Analog Devices Inc. Norwood, Massachusetts	32879 Advanced Mechanical Components Northridge, California	55025 Simpson Electric Co. Div. of Am. Gage and Mach. Co. Elgin, Illinois	71785 TRW Electronics Components Cinch Connector Operations Div. Elk Grove Village Chicago, Illinois
24655 General Radio Concord, Massachusetts	32897 Erie Technological Products, Inc. Frequency Control Div. Carlisle, Pennsylvania	56289 Sprague Electric Co. North Adams, Massachusetts	72005 Wilber B. Driver Co. Newark, New Jersey
24759 Lenox-Fugle Electronics Inc. South Plainfield, New Jersey	32997 Bourns Inc. Trimpot Products Division Riverside, California	58474 Superior Electric Co. Bristol, Connecticut	72092 Replaced by 06980
25088 Siemen Corp. Islen, New Jersey	33173 General Electric Co. Products Dept. Owensboro, Kentucky	60399 Torin Corp. formerly Torrington Mfg. Co. Torrington, Connecticut	72136 Electro Motive Mfg. Co. Williamantic, Connecticut
25403 Amperex Electronic Corp. Semiconductor & Micro-Circuits Div. Slatersville, Rhode Island	34333 Silicon General Westminister, California	63743 Ward Leonard Electric Co., Inc. Mount Vernon, New York	72259 Nytronics Inc. Pelham Manor, New Jersey
27014 National Semiconductor Corp. Santa Clara, California	34335 Advanced Micro Devices Sunnyvale, California	64834 West Mfg. Co. San Francisco, California	72619 Dialight Div. Amperex Electronic Corp. Brooklyn, New York
27264 Molex Products Downers Grove, Illinois	34802 Electromotive Inc. Kenilworth, New Jersey	65092 Weston Instruments Inc. Newark, New Jersey	72653 G.C. Electronics Div. of Hydrometals, Inc. Brooklyn, New York
28213 Minnesota Mining & Mfg. Co. Consumer Products Div. St. Paul, Minnesota	37942 P.R. Mallory & Co., Inc. Indianapolis, Indiana	66150 Winslow Tele-Tronics Inc. Eaton Town, New Jersey	72665 Replaced by 90303 72794 Dzus Fastener Co., Inc. West Islip, New York
28425 Serv-/Link formerly Bohannon Industries Fort Worth, Texas	42498 National Radio Melrose, Massachusetts	70485 Atlantic India Rubber Works Chicago, Illinois	72928 Gulton Ind. Inc. Gudeman Div. Chicago, Illinois
28478 Deltrol Controls Div. Deltrol Corporation Milwaukee, Wisconsin		70563 Amperite Company Union City, New Jersey	

Federal Supply Codes for Manufacturers (cont)

72982 Erie Tech. Products Inc. Erie, Pennsylvania	75382 Kulka Electric Corp. Mount Vernon, New York	80583 Hammarlund Mfg. Co., Inc. Red Bank, New Jersey	83594 Burrhoughs Corp. Electronic Components Div. Plainfield, New Jersey
73138 Bechman Instrument Inc. Helipot Division Fullerton, California	75915 Littlefuse Inc. Des Plaines, Illinois	80640 Arnold Stevens, Inc. South Boston, Massachusetts	83740 Union Carbide Corp. Battery Products Div. formerly Consumer Products Div. New York, New York
73293 Hughes Aircraft Co. Electron Dynamics Div. Torrance, California	76854 Oak Industries Inc. Switch Div. Crystal Lake, Illinois	81073 Grayhill, Inc. La Grange, Illinois	84171 Arco Electronics Great Neck, New York
73445 Amperex Electronic Corp. Hicksville, New York	77342 AMF Inc. Potter & Brumfield Div. Princeton, Indiana	81312 Winchester Electronics Div. of Litton Industries Inc. Oakville, Connecticut	84411 TRW Electronic Components TRW Capacitors Ogallala, Nebraska
73559 Carling Electric Inc. West Hartford, Connecticut	77638 General Instrument Corp. Rectifier Division Brooklyn, New York	81483 Therm-O-Disc Inc. Mansfield, Ohio	84613 Fuse Indicator Corp. Rockville, Maryland
73586 Circle F Industries Trenton, New Jersey	77969 Rubbercraft Corp. of CA. LTD. Torrance, California	81483 International Rectifier Corp. Los Angeles, California	84682 Essex International Inc. Industrial Wire Div. Peabody, Massachusetts
73734 Federal Screw Products, Inc. Chicago, Illinois	78189 Shakeproof Div. of Illinois Tool Works Inc. Elgin, Illinois	81590 Korry Mfg. Co. Seattle, Washington	86577 Precision Metal Products of Malden Inc. Stoneham, Massachusetts
73743 Fischer Special Mfg. Co. Cincinnati, Ohio	78277 Sigma Instruments, Inc. South Braintree, Massachusetts	81741 Chicago Lock Co. Chicago, Illinois	86684 Radio Corp. of America Electronic Components Div. Harrison, New Jersey
73899 JFD Electronics Co. Components Corp. Brooklyn, New York	78488 Stackpole Carbon Co. Saint Marys, Pennsylvania	82305 Palmer Electronics Corp. South Gate, California	86928 Seastrom Mfg. Co., Inc. Glendale, California
73949 Guardian Electric Mfg. Co. Chicago, Illinois	78553 Eaton Corp. Engineered Fastener Div. Tinnerman Plant Cleveland, Ohio	82389 Switchcraft Inc. Chicago, Illinois	87034 Illuminated Products Inc. Subsidiary of Oak Industries Inc. Anaheim, California
74199 Quan Nichols Co. Chicago, Illinois	79136 Waldes Kohinor Inc. Long Island City, New York	82415 North American Phillips Controls Corp. Frederick, Maryland	88219 Gould Inc. Industrial Div. Trenton, New Jersey
74217 Radio Switch Corp. Marlboro, New Jersey	79497 Western Rubber Company Goshen, Indiana	82872 Roanwell Corp. New York, New York	88245 Litton Systems Inc. Useco Div. Van Nuys, California
74276 Signalite Div. General Instrument Corp. Neptune, New Jersey	79963 Zierick Mfg. Corp. Mt. Kisko, New York	82877 Rotron Inc. Woodstock, New York	88419 Cornell-Dubilier Electronic Div. Federal Pacific Co. Fuquay-Varian, North Carolina
74306 Piezo Crystal Co. Carlisle, Pennsylvania	80031 Electro-Midland Corp. Mepco Div. A North American Phillips Co. Norristown, New Jersey	82879 ITT Royal Electric Div. Pawtucket, Rhode Island	88486 Plastic Wire & Cable Jewitt City, Connecticut
74542 Hoyt Elect. Instr. Works Penacook, New Hampshire	80145 LFE Corp., Process Control Div. formerly API Instrument Co. Chesterland, Ohio	83003 Varo Inc. Garland, Texas	88690 Replaced by 04217
74970 Johnson E.F., Co. Wasoca, Minnesota	80183 Use 86289 Sprague Products North Adams, Massachusetts	83058 The Carr Co., United Can Div. of TRW Cambridge, Massachusetts	89536 John Fluke Mfg. Co., Inc. Seattle, Washington
75042 TRW Electronics Components IRC Fixed Resistors Philadelphia, Pennsylvania	80294 Bouras Inc., Instrument Div. Riverside, California	83298 Bendix Corp. Electric Power Div. Eatontown, New Jersey	89730 G.E. Co., Newark Lamp Works Newark, New Jersey
75376 Kurz-Kasch Inc. Dayton, Ohio		83330 Herman H. Smith, Inc. Brooklyn, New York	
75378 CTS Knights Inc. Sandwich, Illinois		83478 Rubbercraft Corp. of America, Inc. West Haven, Connecticut	

Federal Supply Codes for Manufacturers (cont)

90201 Mallory Capacitor Co. Div. of P.R. Mallory Co., Inc. Indianapolis, Indiana	91836 King's Electronics Co., Inc. Tuckahoe, New York	95354 Methode Mfg. Corp. Rolling Meadows, Illinois	98291 Sealectro Corp. Mamaroneck, New York
90211 Use 56365 Square D Co. Chicago, Illinois	91929 Honeywell Inc. Micro Switch Div. Freeport, Illinois	95712 Bendix Corp. Electrical Components Div. Microwave Devices Plant Franklin, Indiana	98388 Royal Industries Products Div. San Diego, California
90215 Best Stamp & Mfg. Co. Kansas City, Missouri	91934 Miller Electric Co., Inc. Div. of Aunet Woonsocket, Rhode Island	95987 Weckesser Co. Inc. Chicago, Illinois	98743 Replaced by 12749
90303 Mallory Battery Co. Div. of Mallory Co., Inc. Tarrytown, New York	92194 Alpha Wire Corp. Elizabeth, New Jersey	96733 San Fernando Electric Mfg. Co. San Fernando, California	98925 Replaced by 14433
91094 Essex International Inc. Suglex/IWP Div. Newmarket, New Hampshire	93332 Sylvania Electric Products Semiconductor Products Div. Woburn, Massachusetts	96853 Gulton Industries Inc. Measurement and Controls Div. formerly Rustrak Instruments Co. Manchester, New Hampshire	99120 Plastic Capacitors, Inc. Chicago, Illinois
91293 Johanson Mfg. Co. Boonton, New Jersey	94145 Replaced by 49956	96881 Thomson Industries, Inc. Manhasset, New York	99217 Bell Industries Elect. Comp. Div. formerly Southern Elect. Div. Burbank, California
91407 Replaced by 58474	94154 Use 94988 Wagner Electric Corp. Tung-Sol Div. Newark, New Jersey	97540 Master Mobile Mounts, Div. of Whitehall Electronics Corp. Ft. Meyers, Florida	99392 STM Oakland, California
91502 Associated Machine Santa Clara, California	94222 Southco Inc. formerly South Chester Corp. Lester, Pennsylvania	97913 Industrial Electronic Hardware Corp. New York, New York	99515 ITT Jennings Monrovia Plant Div. of ITT Jennings formerly Marshall Industries Capacitor Div. Monrovia, California
91506 Augat Inc. Attleboro, Massachusetts	95146 Alco Electronic Products Inc. Lawrence, Massachusetts	97945 Penwalt Corp. SS White Industrial Products Div. Piscataway, New Jersey	99779 Use 29587 Bunker-Ramo Corp. Barnes Div. Landsdowne, Pennsylvania
91637 Dale Electronics Inc. Columbus, Nebraska	95263 Leecraft Mfg. Co. Long Island City, New York	97966 Replaced by 11358	99800 American Precision Industries Inc. Delevan Division East Aurora, New York
91662 Elco Corp. Willow Grove, Pennsylvania	95264 Replaced by 98278	98094 Replaced by 49956	99942 Centrelab Semiconductor Centrelab Electronics Div. of Globe-Union Inc. El Monte, California
91737 Use 71468 Gremar Mfg. Co., Inc. ITT Cannon/Gremar Santa Ana, California	95275 Vitramon Inc. Bridgeport, Connecticut	98159 Rubber-Teck, Inc. Gardena, California	99942 Centrelab Semiconductor Centrelab Electronics Div. of Globe-Union Inc. El Monte, California
91802 Industrial Devices, Inc. Edgewater, New Jersey	95303 RCA Corp. Receiving Tube Div. Cincinnati, Ohio	98278 Malco A Microdot Co., Inc. Connector & Cable Div. Pasadena, California	99942 Centrelab Semiconductor Centrelab Electronics Div. of Globe-Union Inc. El Monte, California
91833 Keystone Electronics Corp. New York, New York	95348 Gordo's Corp. Bloomfield, New Jersey		99942 Centrelab Semiconductor Centrelab Electronics Div. of Globe-Union Inc. El Monte, California
			National Connector Minneapolis, Minnesota

Section 7A

Manual Change Information

INTRODUCTION

This appendix contains information necessary to backdate the manual to conform with earlier pcb configurations. To identify the configuration of the pcb's used in your instrument, refer to the revision letter (marked in ink) on the component side of each pcb assembly. Table 7A-1 defines the assembly revision levels documented in this manual.

NEWER INSTRUMENTS

As changes and improvements are made to the instrument, they are identified by incrementing the

revision letter marked on the affected pcb assembly. These changes are documented on a supplemental change/errata sheet which, when applicable, is inserted at the front of the manual.

OLDER INSTRUMENTS

To backdate this manual to conform with earlier assembly revision levels, perform the changes indicated in Table 7A-1.

CHANGES

There are no backdating changes at this printing. All pcb assemblies are documented at their original revision level.

Section 8 Schematic Diagrams

TABLE OF CONTENTS

FIGURE	TITLE	PAGE
8-1.	Interconnect Diagram	8-3
8-2.	A1 LED, A2 Mother Board and A6 Battery Module PCB Assemblies	8-4
8-3.	A3 Pre-Regulator PCB Assembly	8-6
8-4.	A4 Regulator PCB Assembly	8-8
8-5.	A5 Reference PCB Assembly	8-10

FIG. 8-1, 732A
 SH. 1 OF 3

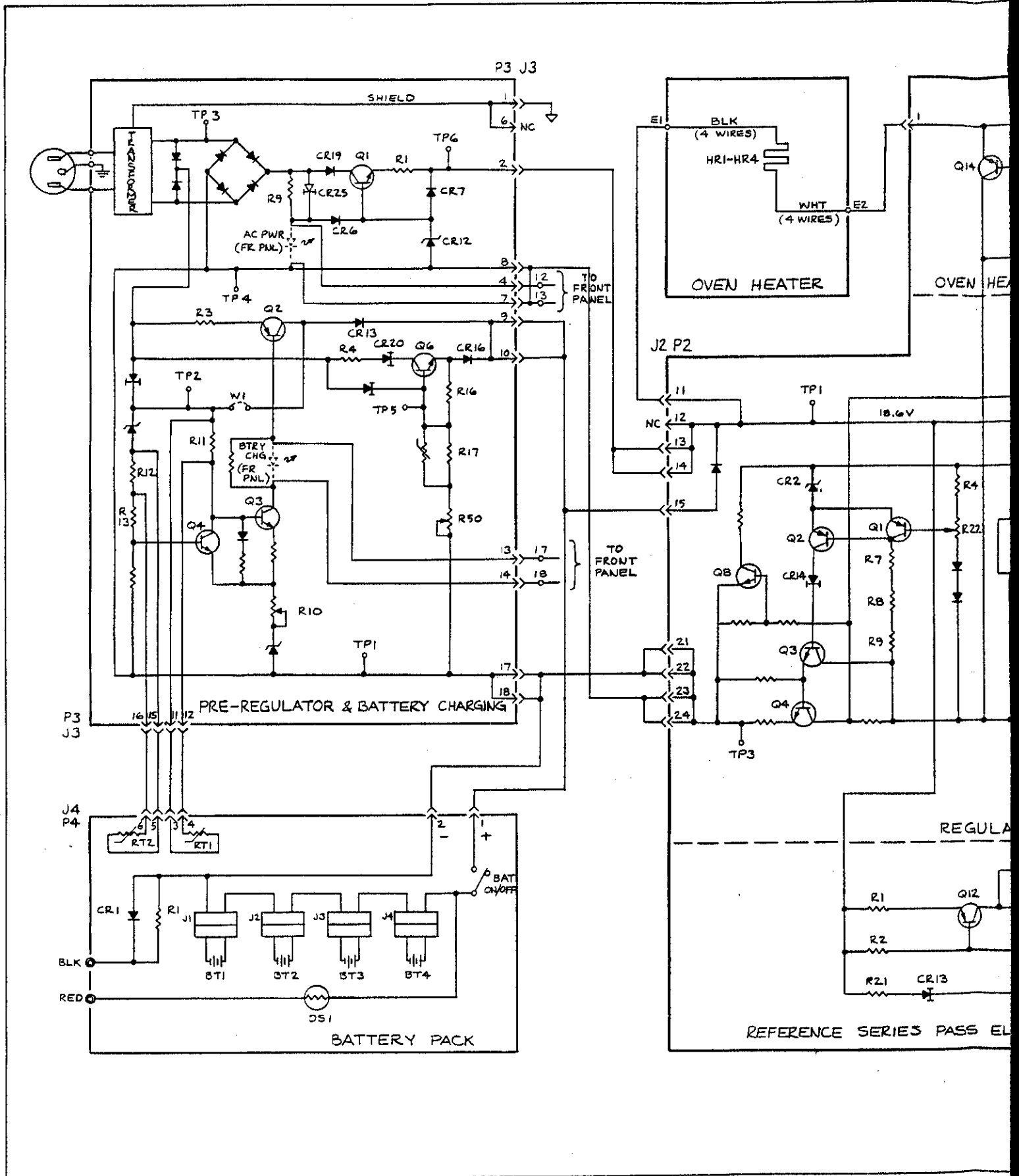


FIG. 8-1, 732A
SHT. 3 OF 3

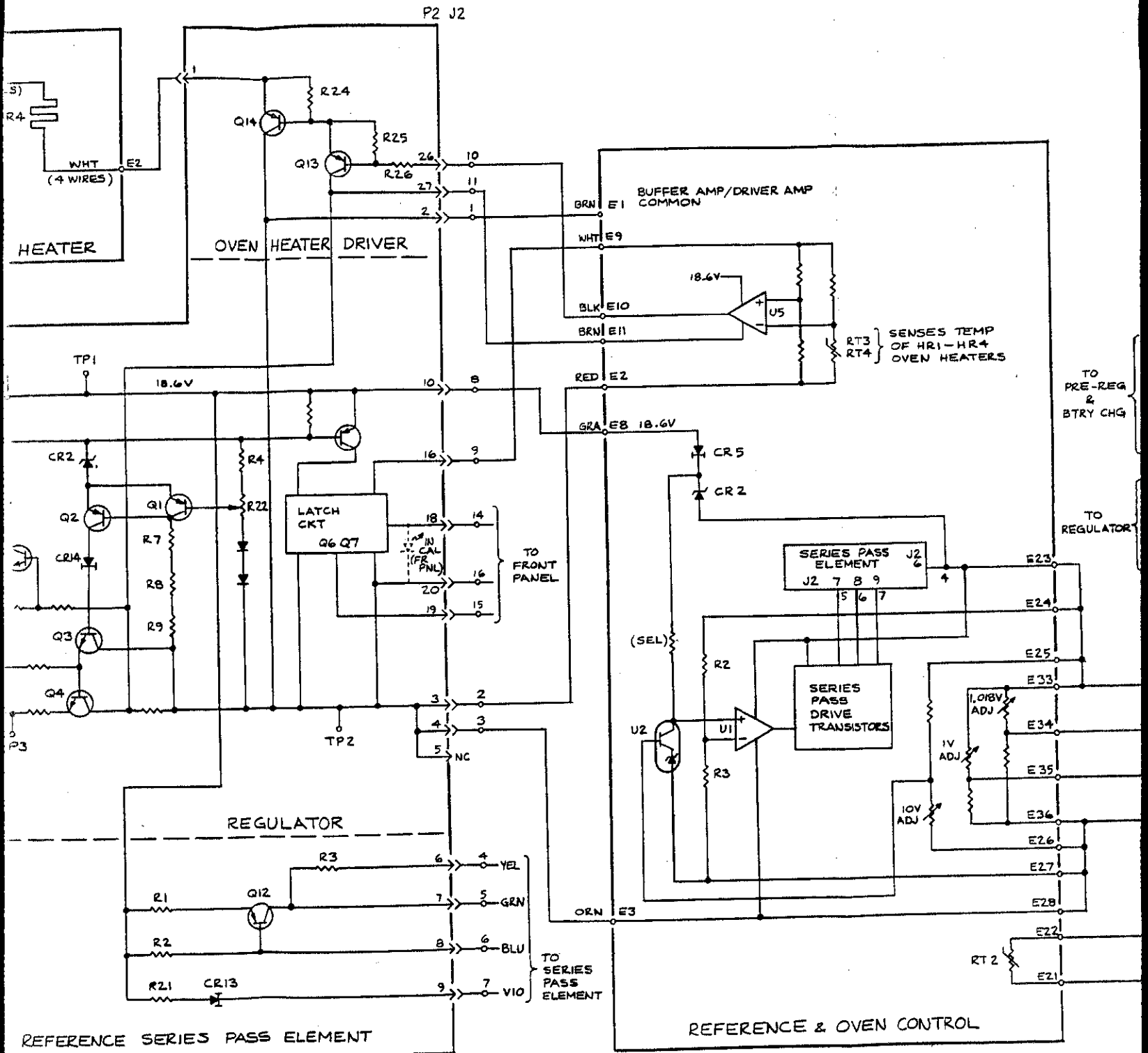
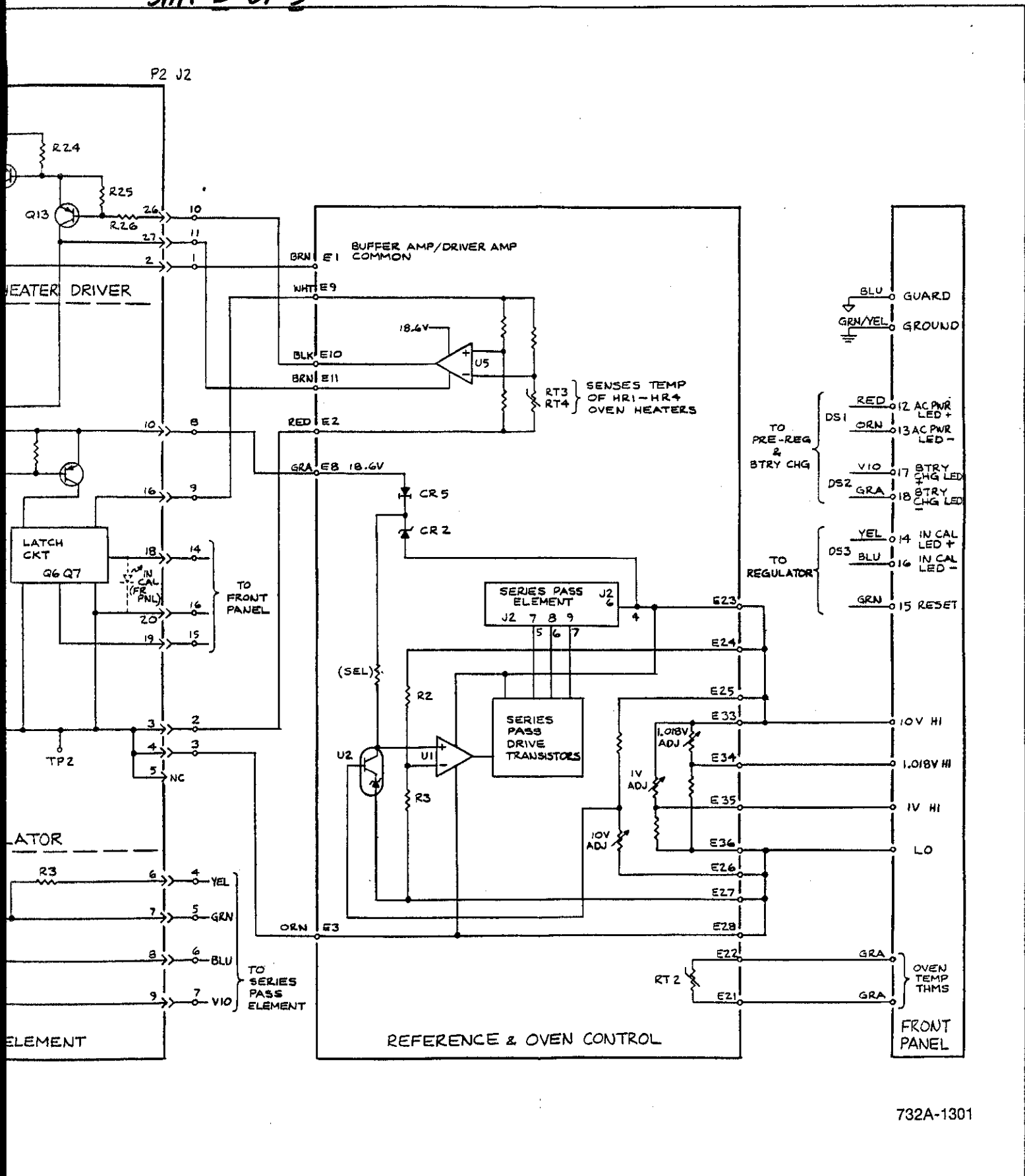


Figure 8-1. Intercc

FIG. 8-1, 732A
SHT. 3 OF 3

732A



732A-1301

Figure 8-1. Interconnect Diagram

FIG. 8-2, 732A

SHT. 1 OF 3

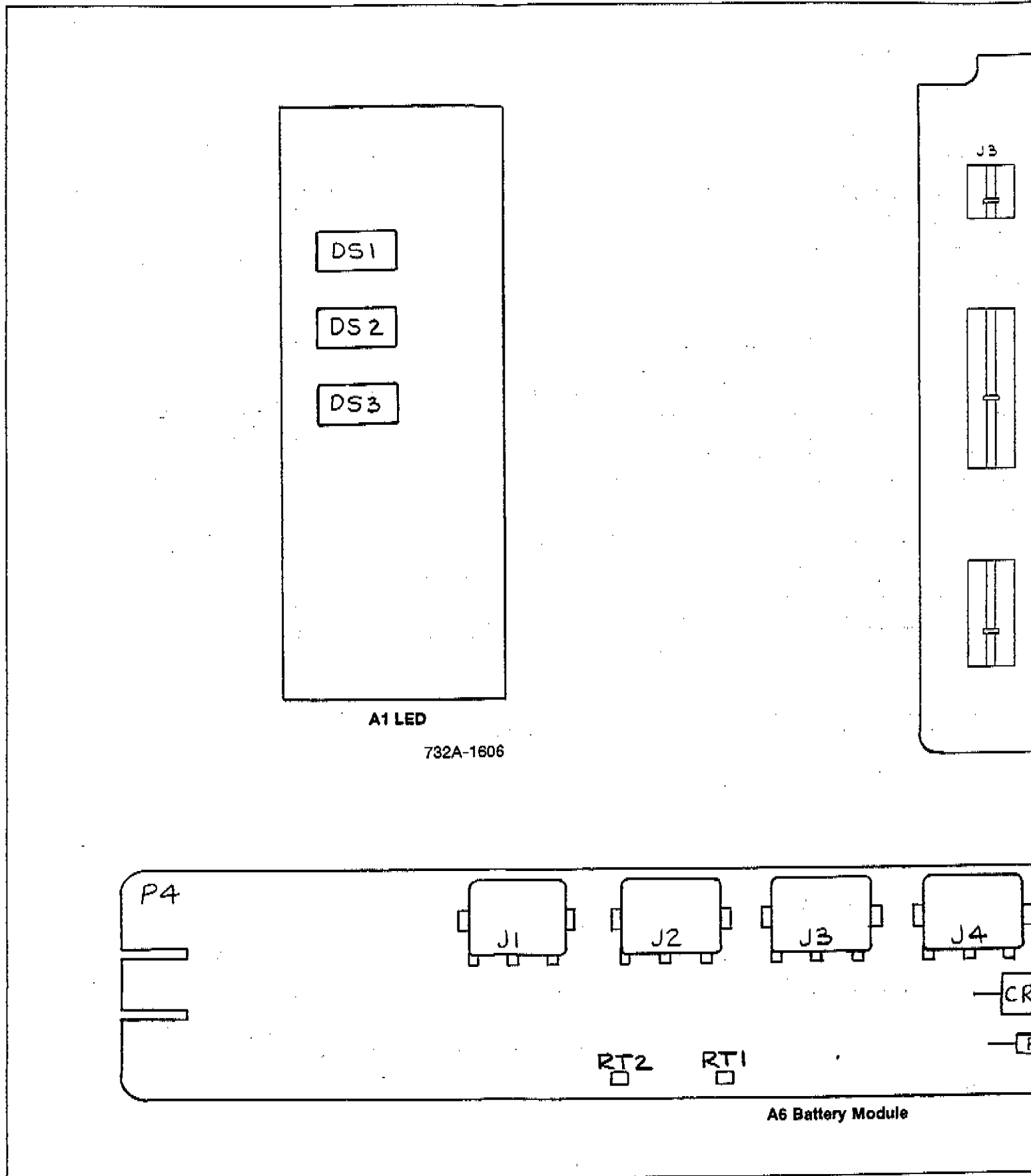
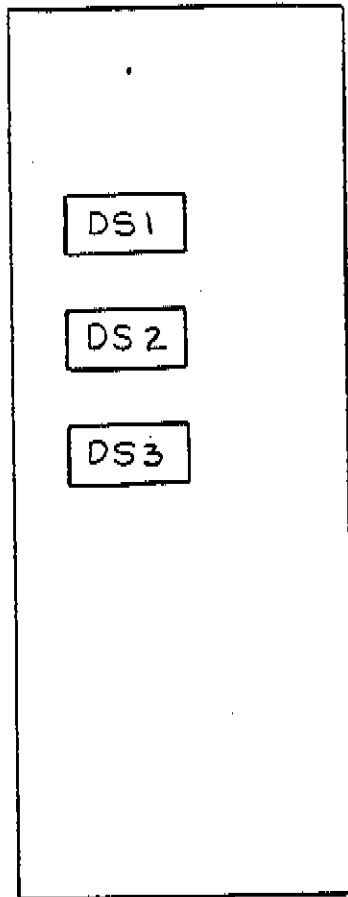


FIG. 8-2,732A

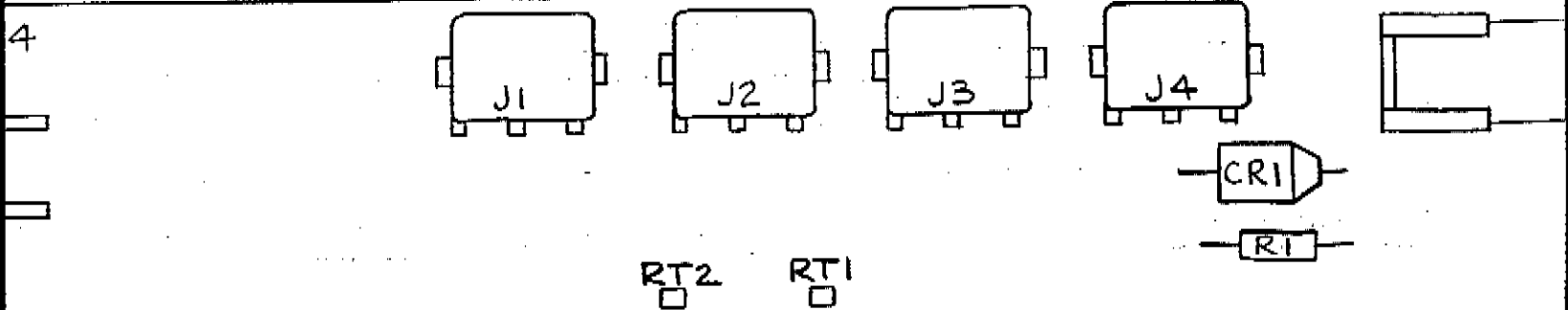
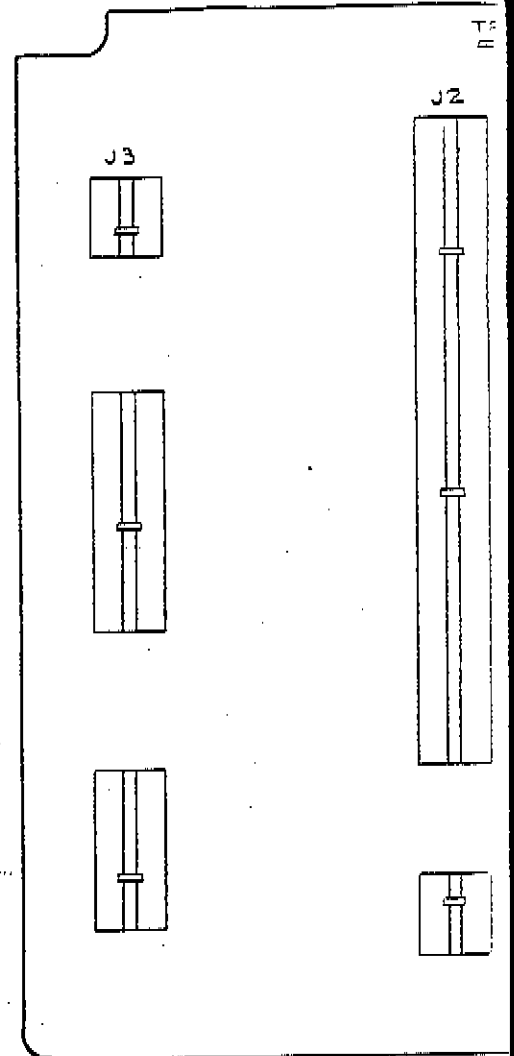
SHT. 2 OF 3

732A



A1 LED

732A-1606



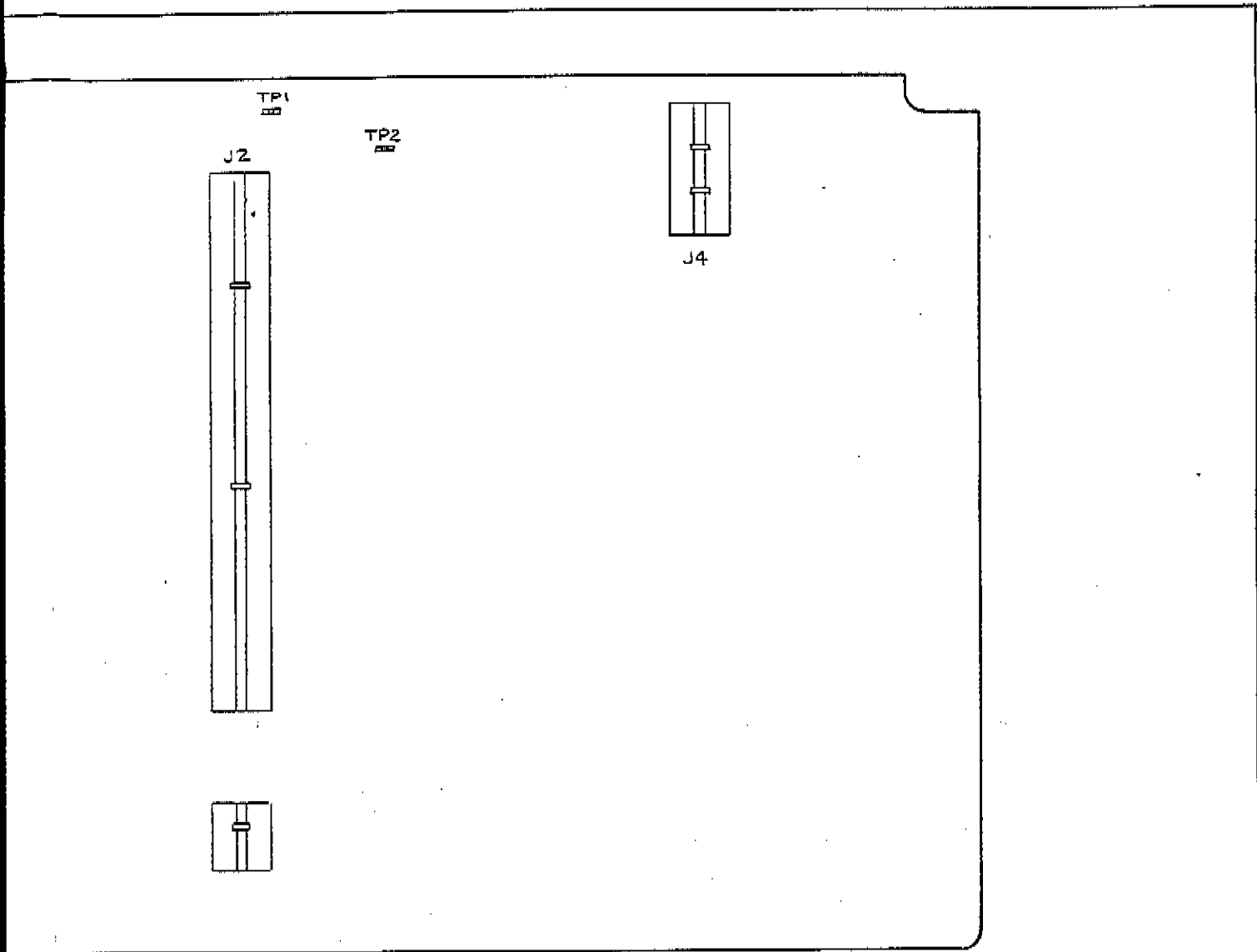
A6 Battery Module

Figure 8-2

FIG. 8-2, 732A

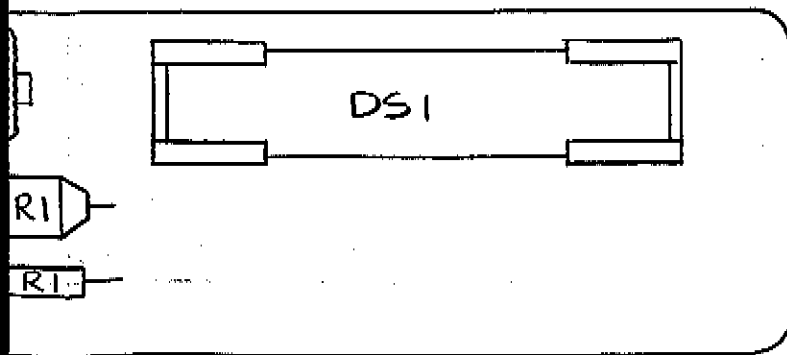
732A

SHT. 3 OF 3



A2 Mother Board

732A-1605



732A-1604

Figure 8-2. A1 LED, A2 Mother Board and A6 Battery Module PCB Assemblies

FIG. 8-2 a, 732A
SHT. 1 OF 3

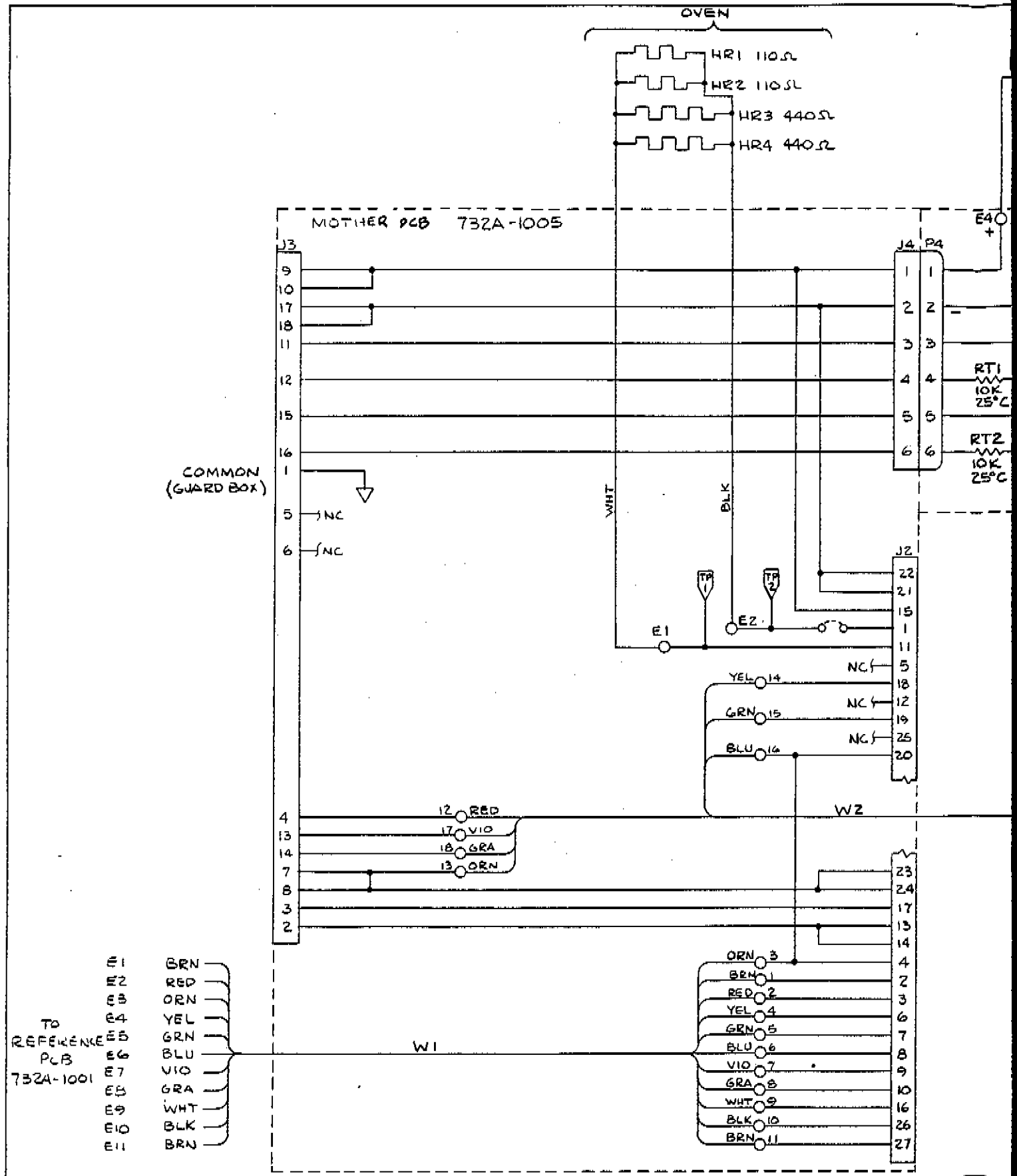
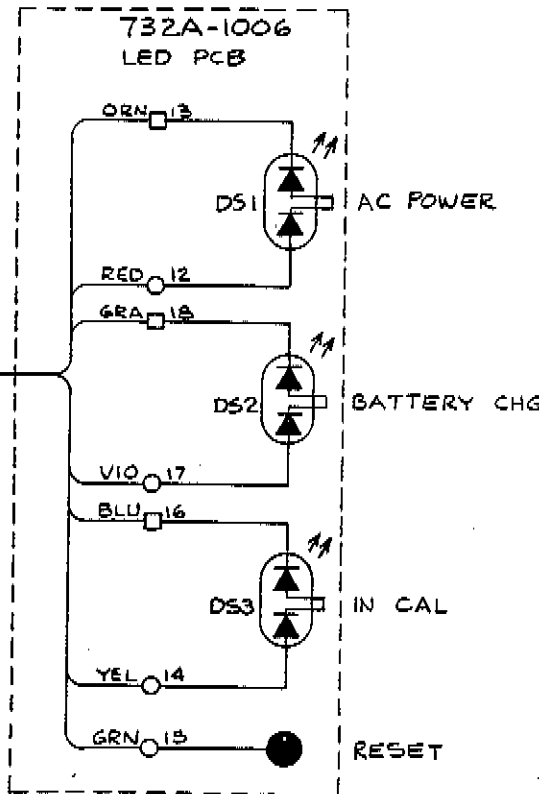
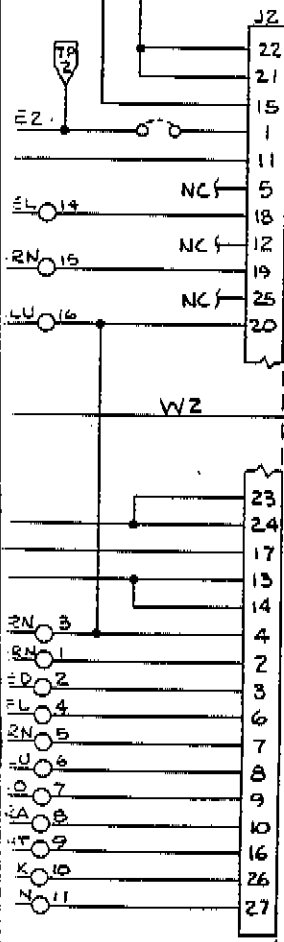
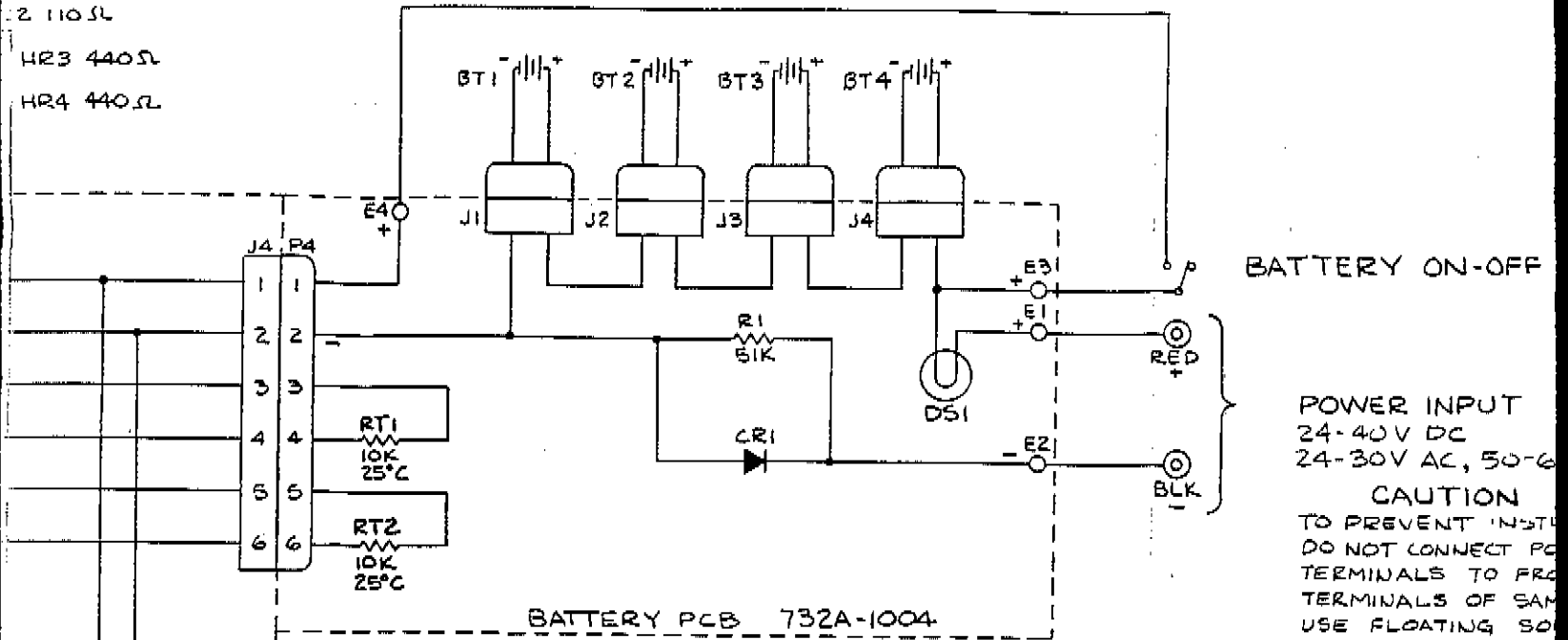


FIG. 8-2a, 732A
 SHT. 2 OF 3

- 1 110Ω
- 2 110Ω
- HR3 440Ω
- HR4 440Ω

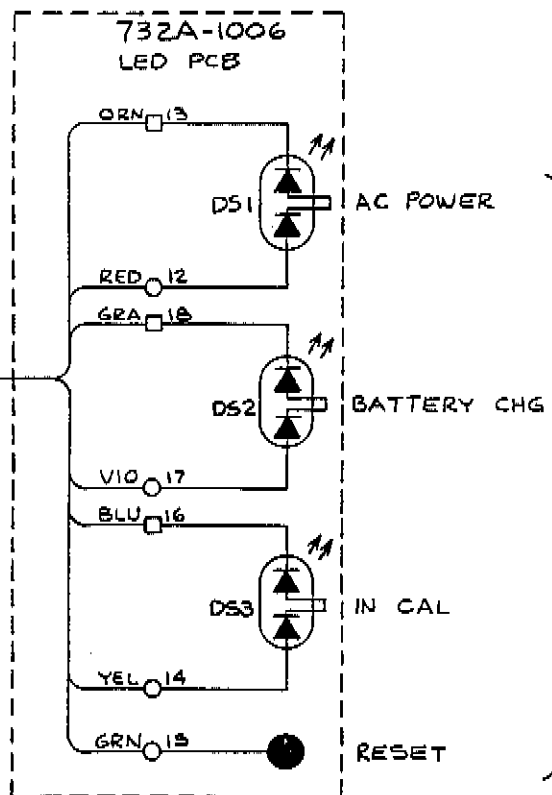
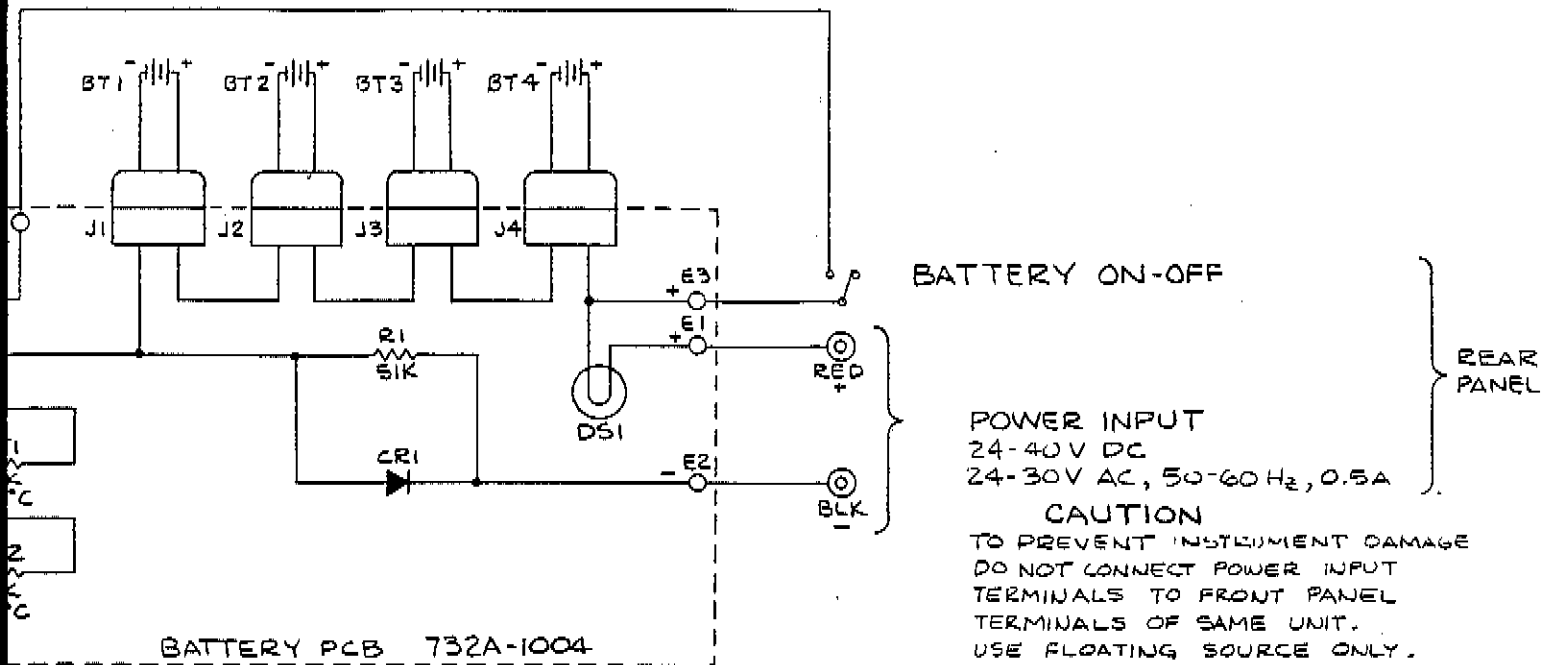


NOTES: UNLESS OTHERWISE SPECIFIED
 1. ALL RESISTORS ARE 1/4 W, 5%

Figure 8-2. A1 LED, A2 Motherboard
 Module PCB Assembly

FIG. 8-2a, 732A
SHT. 3 OF 3

732A

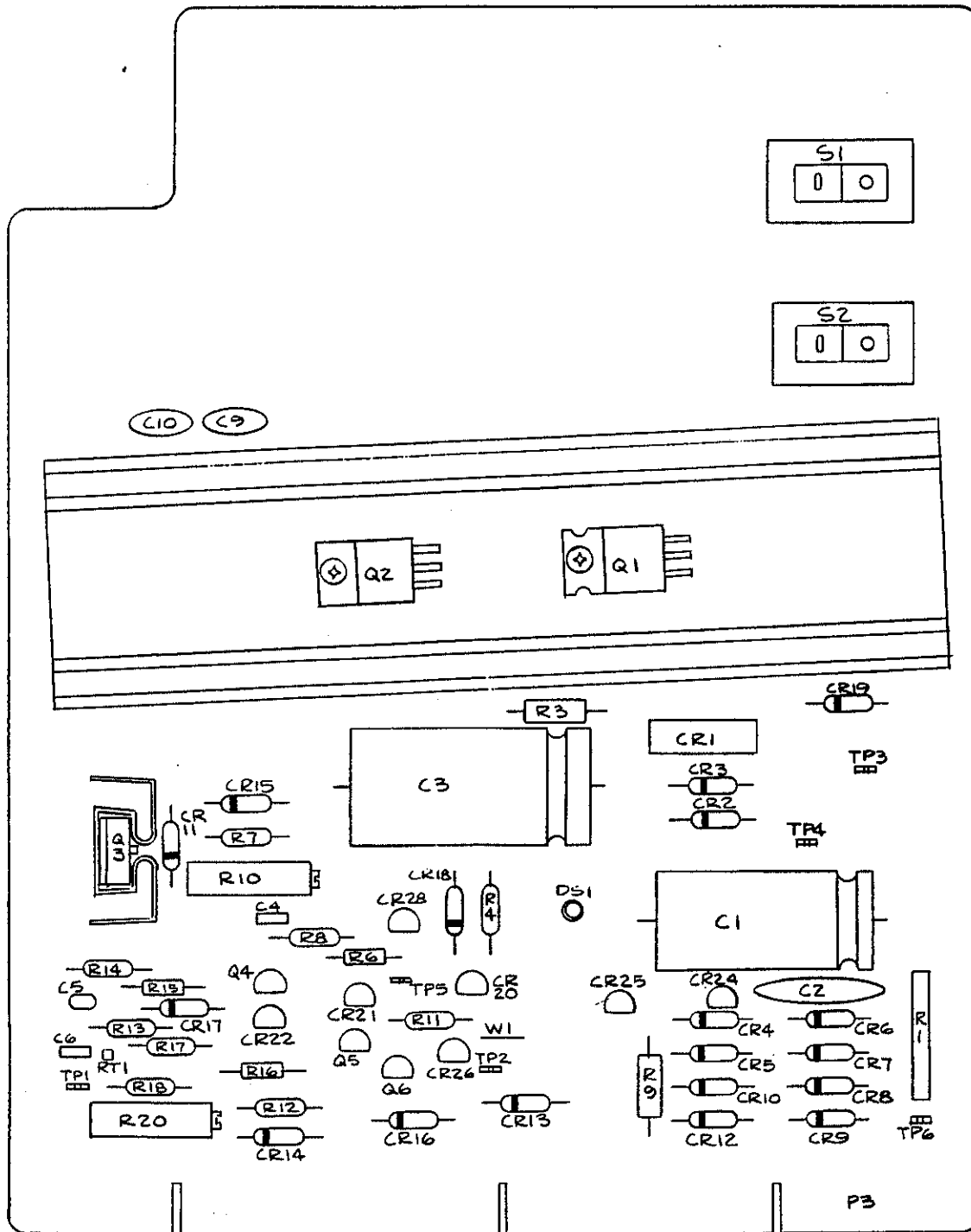


NOTES: UNLESS OTHERWISE SPECIFIED:
1. ALL RESISTORS ARE 1/4 W, 5%.

FRONT PANEL

732A-1004
-1005
-1006

Figure 8-2. A1 LED, A2 Mother Board and A6 Battery
Module PCB Assemblies (cont)



732A-1603

Figure 8-3. A3 Pre-Regulator PCB Assembly

FIG. 8-3a, T32A
SHT. 2 OF 3

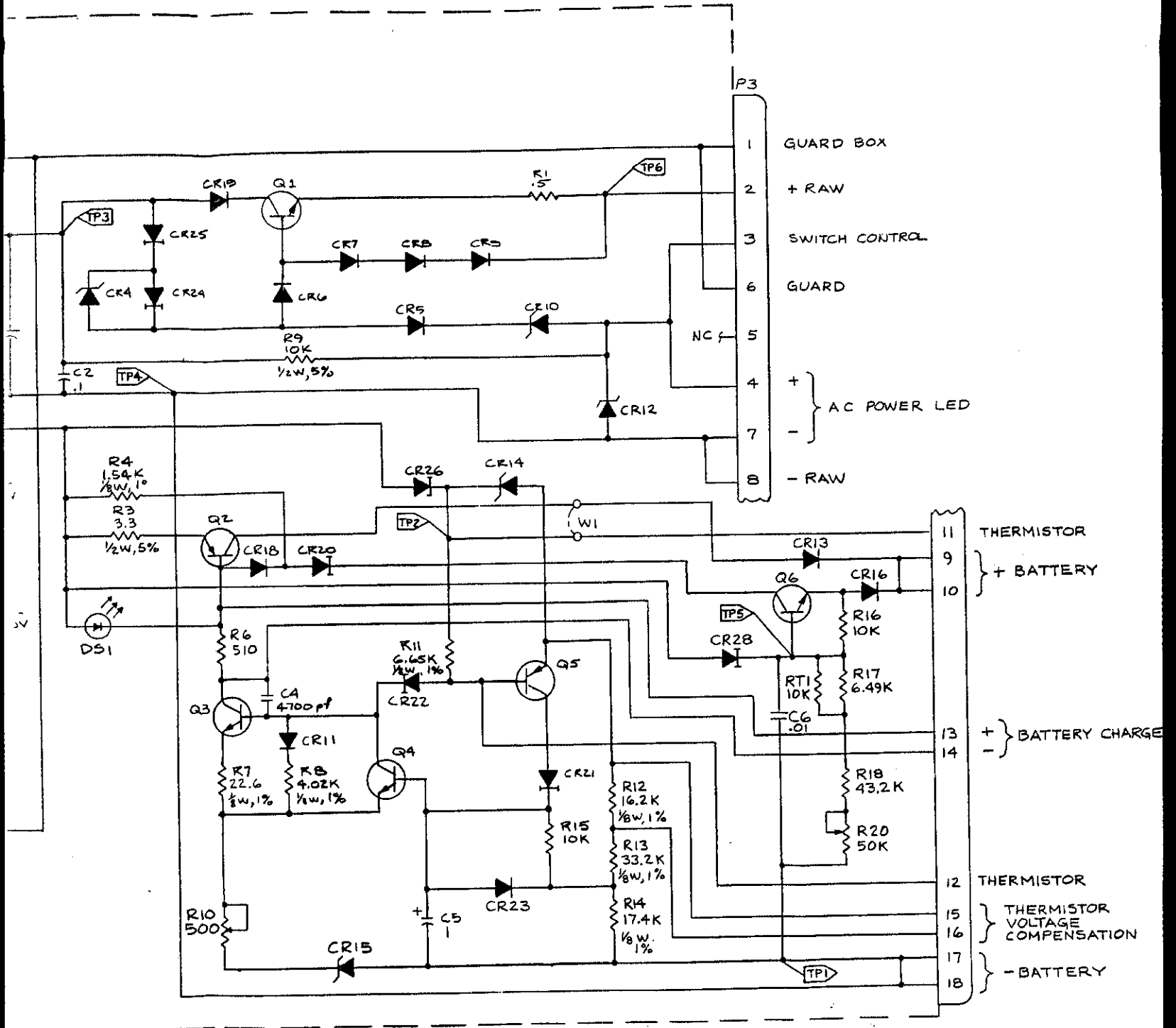
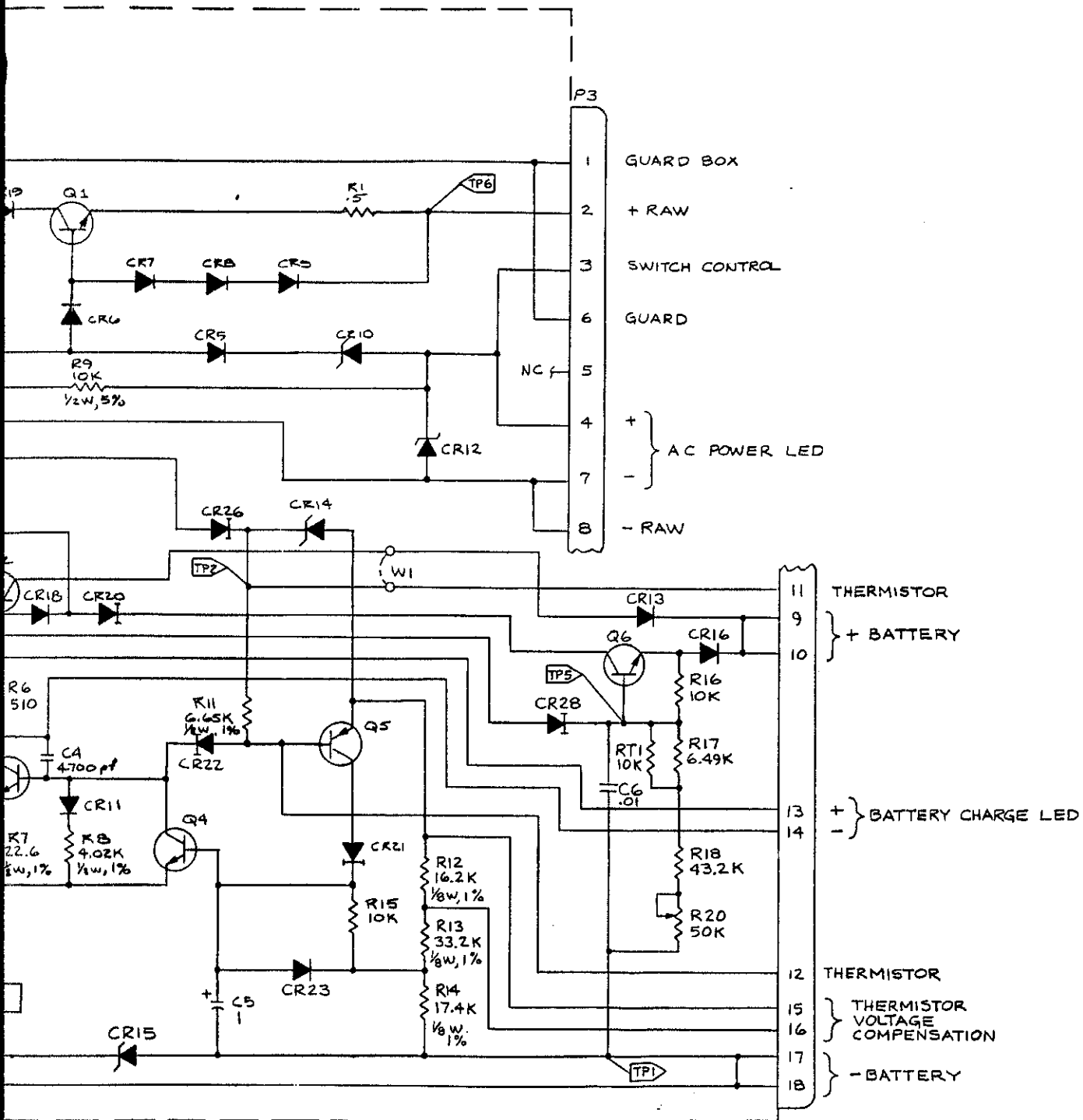


Figure 8-3. A3 Pre-Regulator PC



732A-1003

Figure 8-3. A3 Pre-Regulator PCB Assembly (cont)

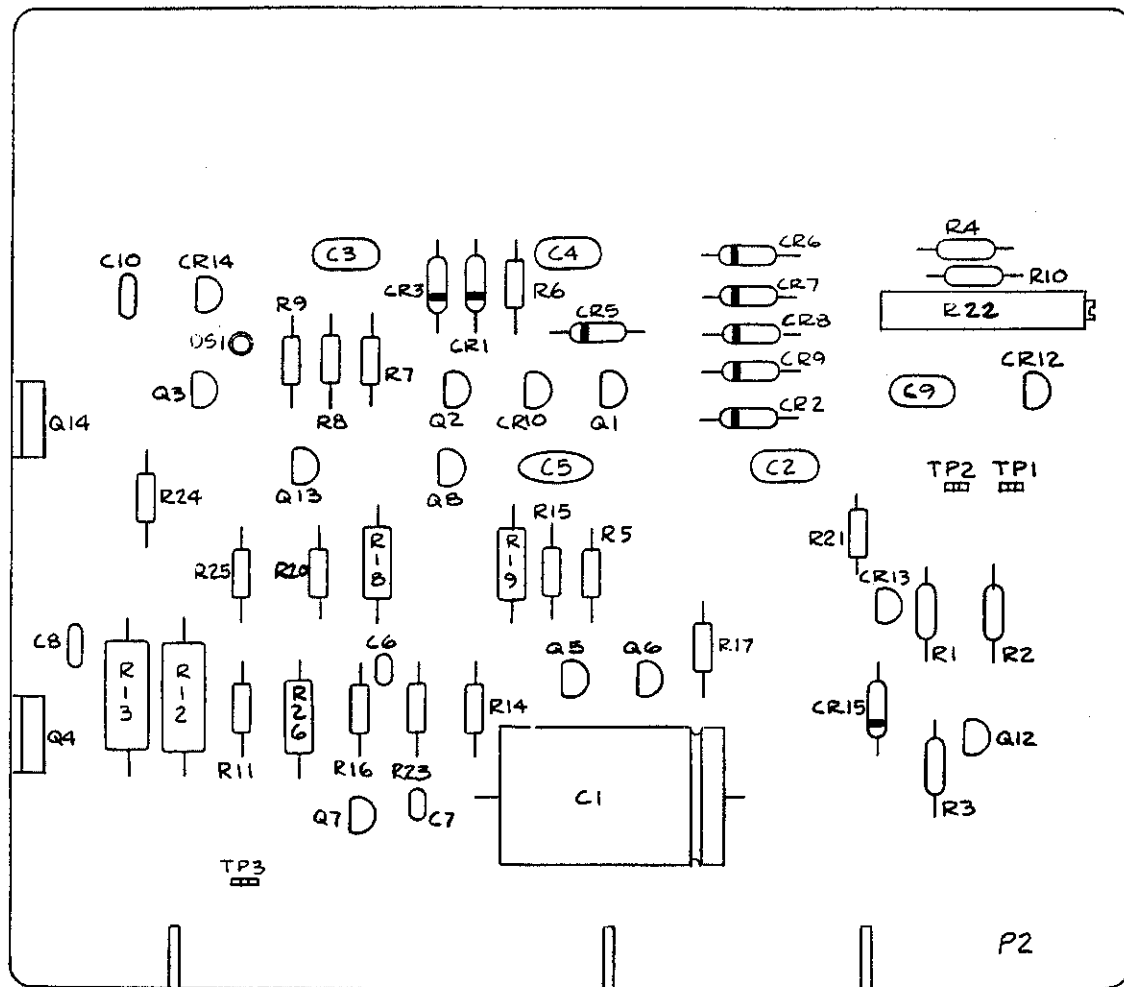
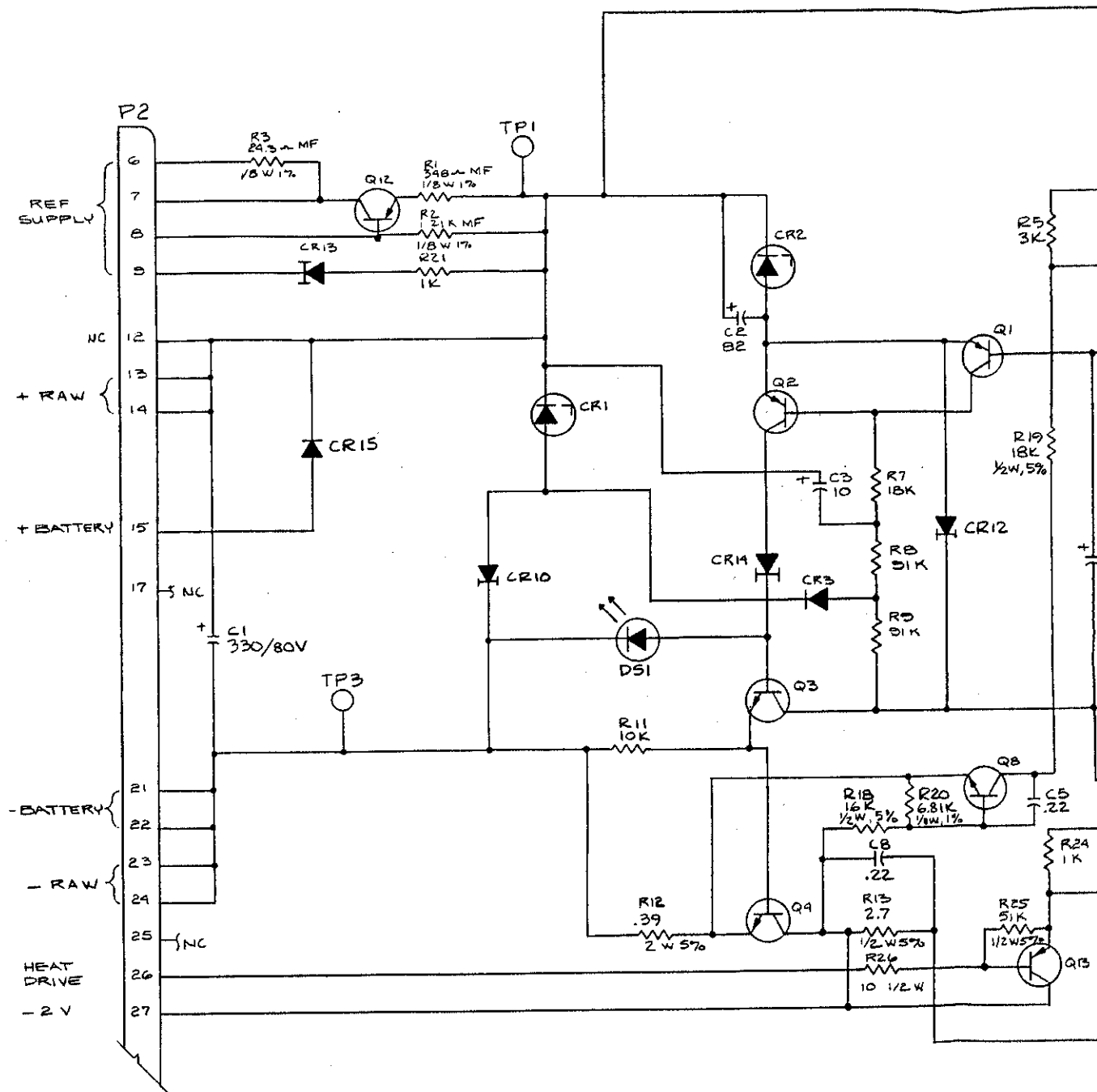


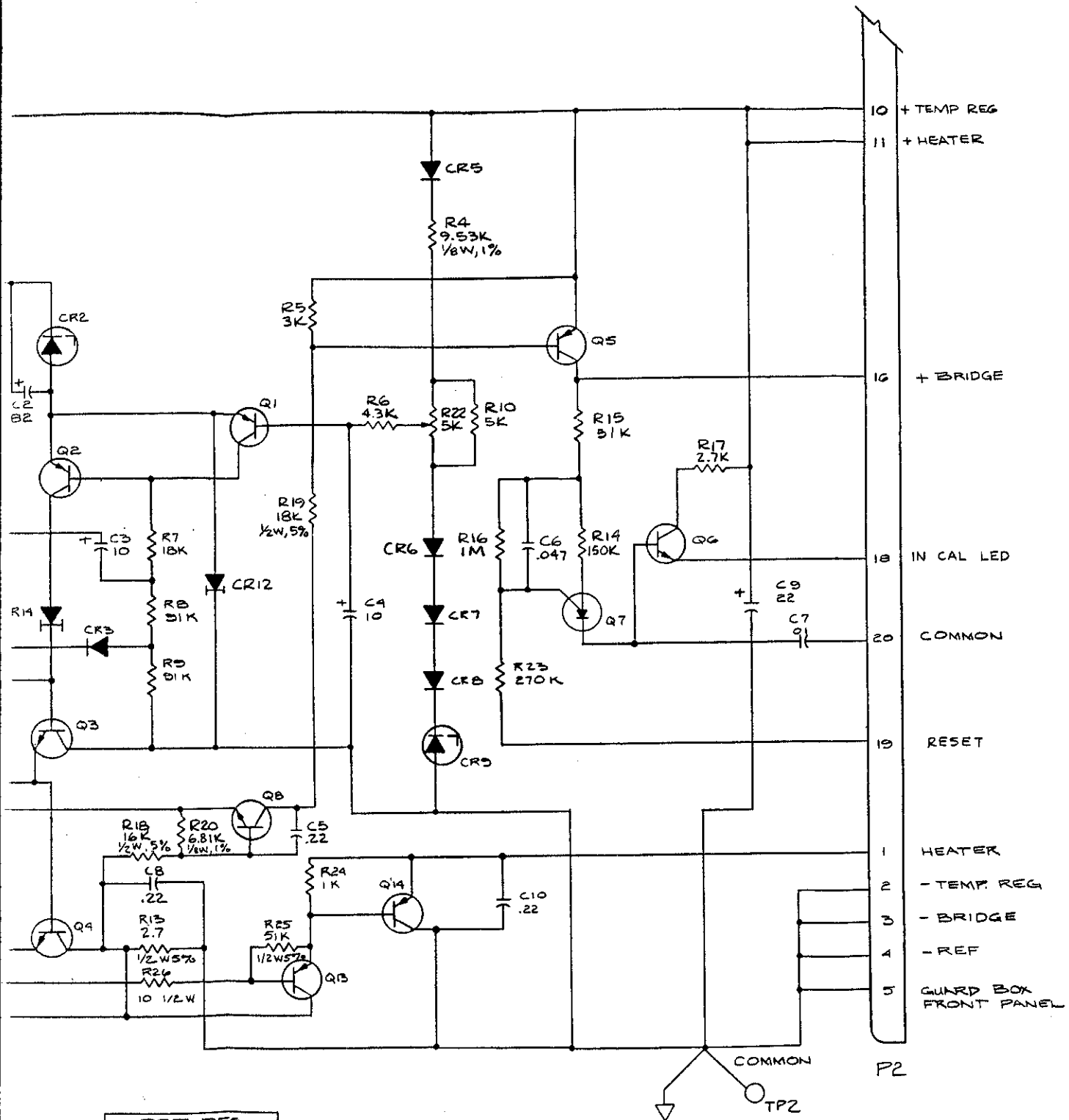
Figure 8-4. A4 Regulator PCB Assembly



NOTES: UNLESS OTHERWISE SPECIFIED:
 1. ALL RESISTANCES ARE IN OHMS AND ALL CAPACITANCE ARE IN MICROFARADS.
 2. ALL RESISTORS ARE 1/4 W 5% CC .

REF. DES	
LAST USED	NOT USED
R26	
C10	
CR-15	CR4,5,11
Q14	Q9-11
DS1	

FIG. 8-4 a, T32A
SHT. 2 OF 3

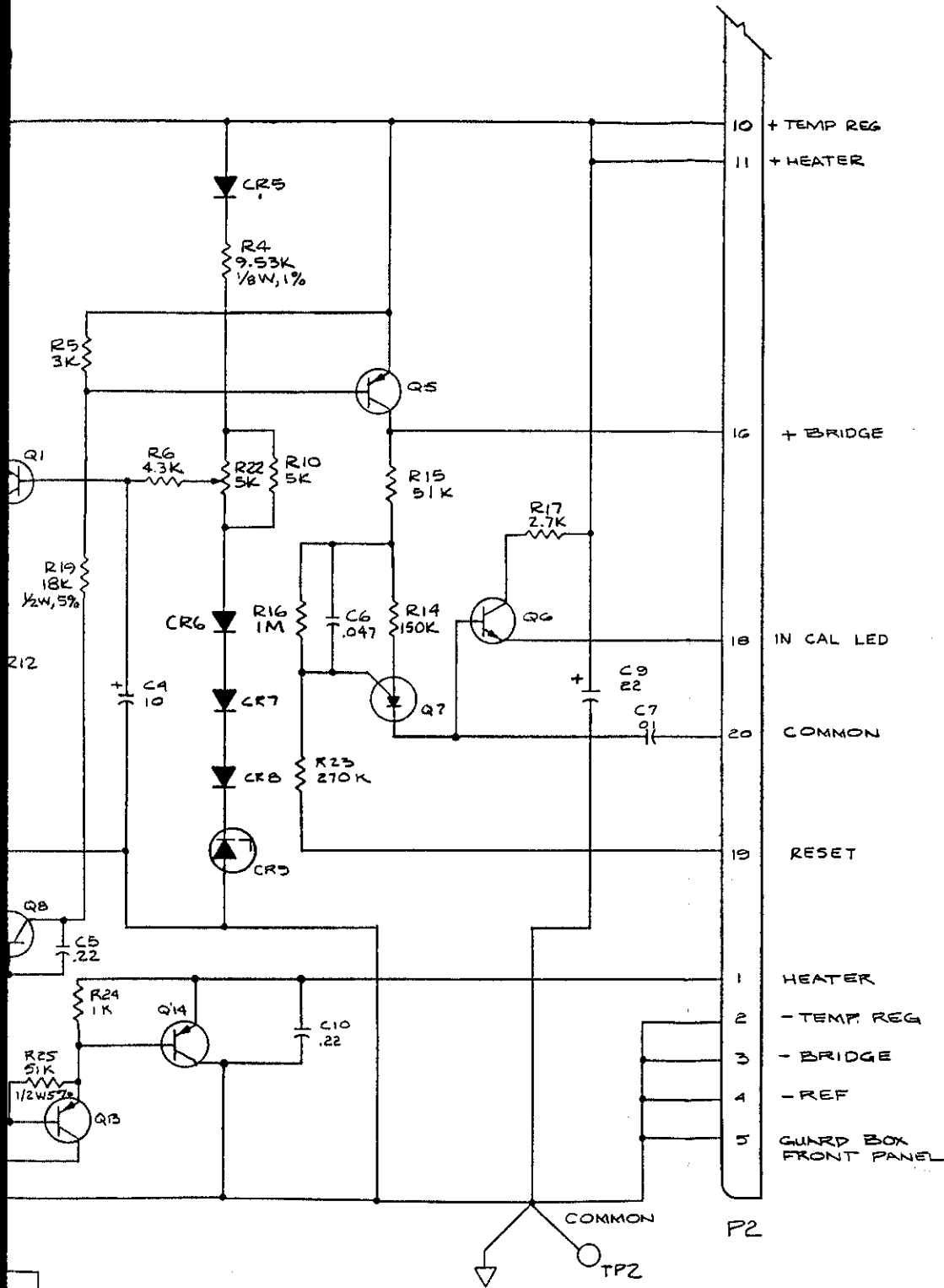


REF DES	
LAST USED	NOT USED
R26	
C10	
CR-15	CR4,5,11
Q14	Q9-11
DS1	

Figure 8-4. A4 Regulator PC

FIG 8-4a, 732A
SHT. 3 OF 3

732A

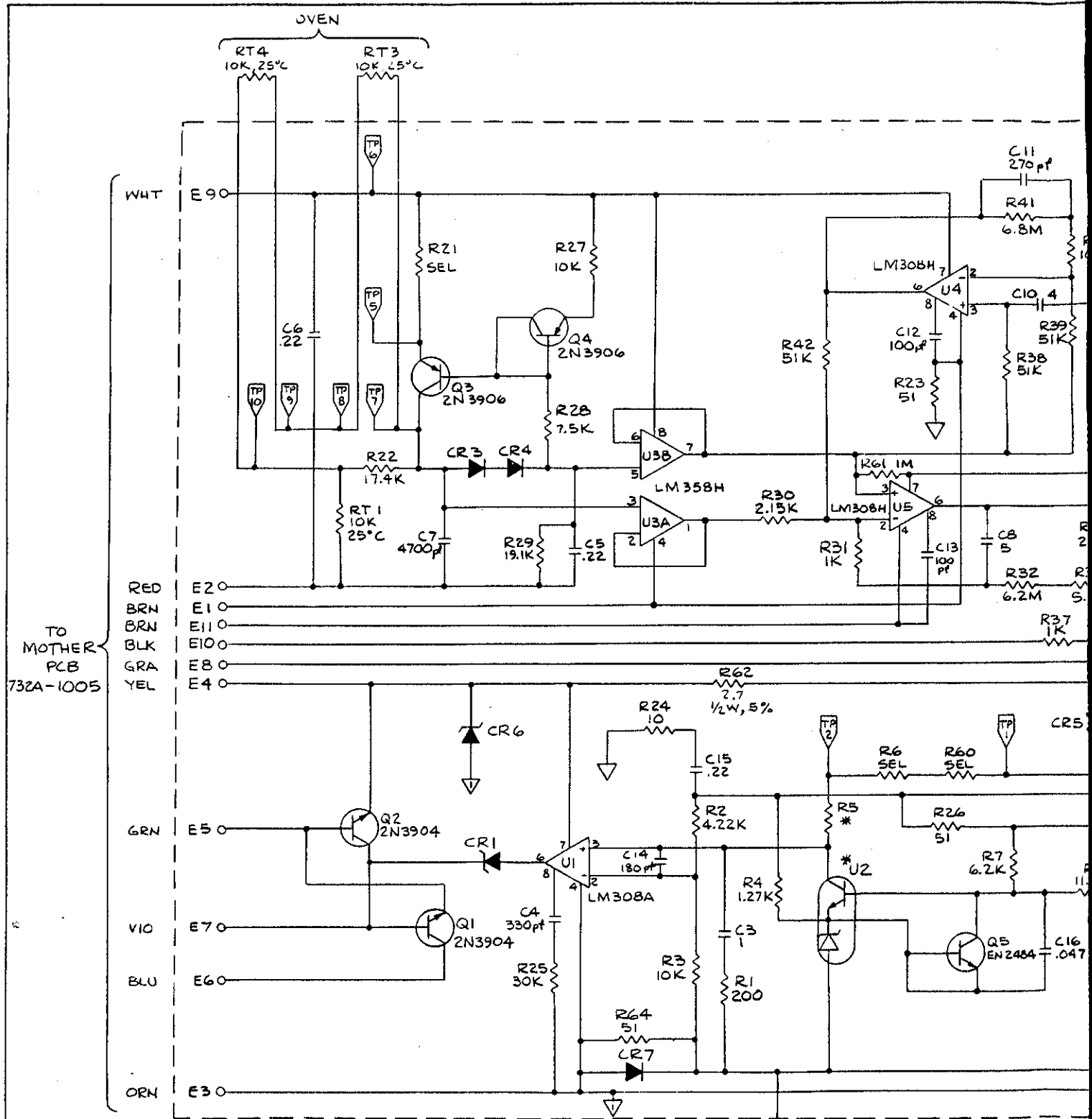


732A-1002

Figure 8-4. A4 Regulator PCB Assembly (cont)

FIG. 8-5a, T32A

SHT. 1 OF 3



- NOTES: UNLESS OTHERWISE SPECIFIED:
1. ALL RESISTANCES ARE IN OHMS.
 2. ALL CAPACITANCES ARE IN MICROFARADS.
 3. * = REF AMP SET 732A-4502.

FIG. 8-5a, 732A
SHT. 3 OF 3

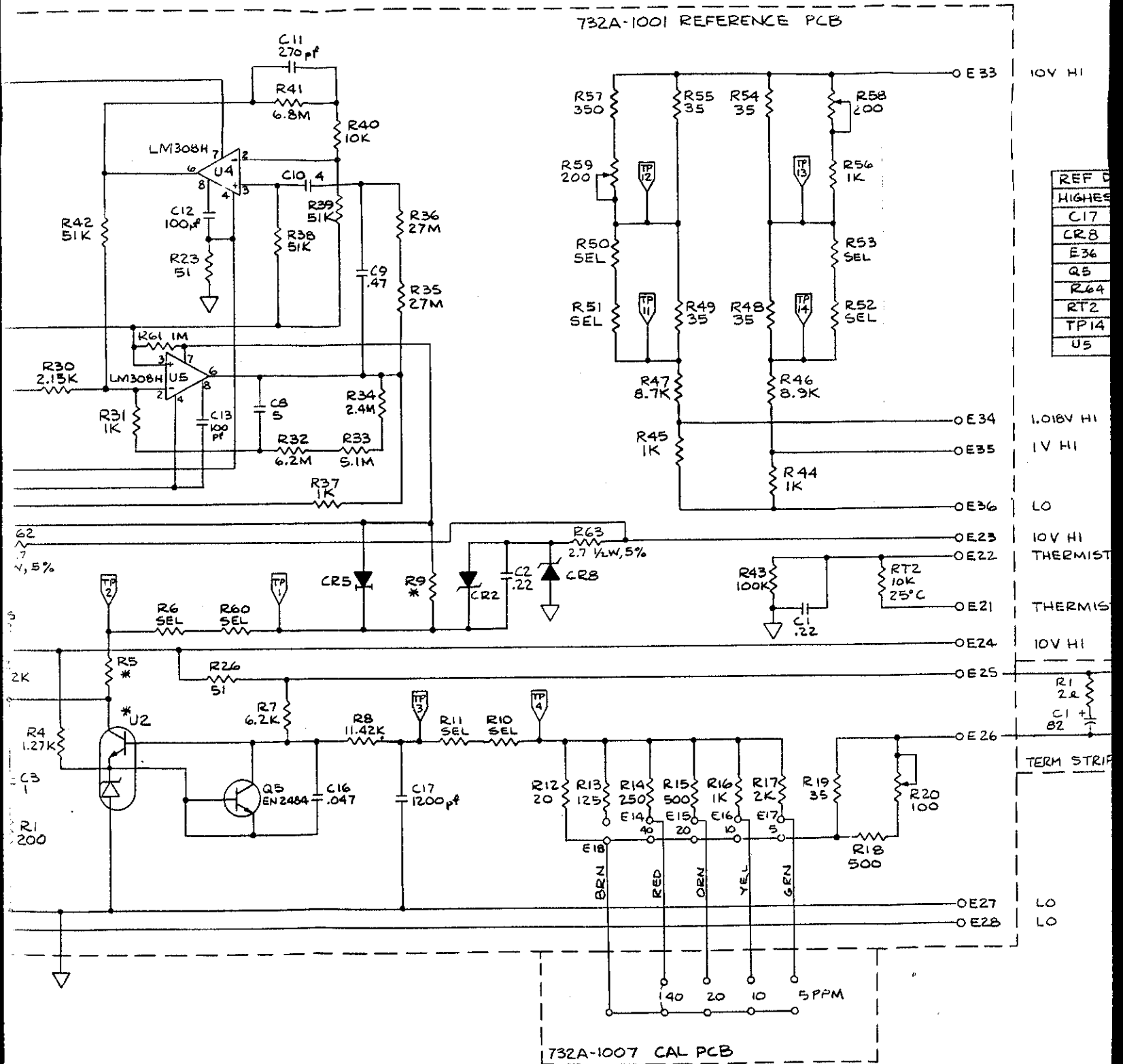


Figure 8-5. A5 Reference PCB

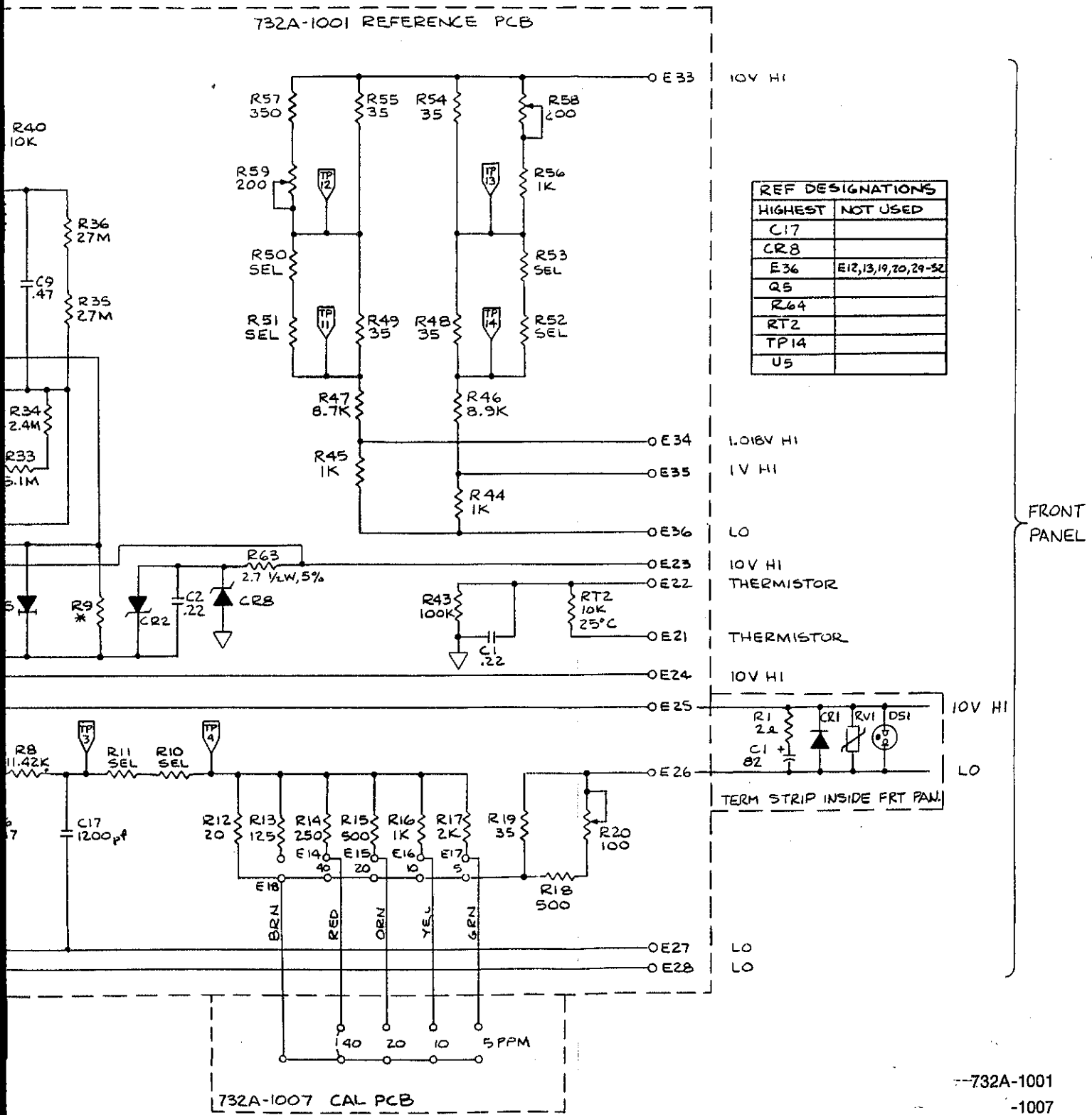


Figure 8-5. A5 Reference PCB Assembly (cont)

INDEX

The number following each index entry indicates the page number.

- Access Procedure,4-1
- Acceptance Test Procedure,4-8
- AC Line Voltage Selection,4-6
- Accessories,2-4, 6-1
- Backup Operating Power,2-5
- Battery,
 - Charge Duration,1-1
 - Charging,2-5
 - External,1-1
 - Internal,3-1
 - Charger Adjustments,4-14
 - Damage,2-5
 - Life,2-5
 - Pack Option,6-1
- Calibration,4-8
- Cleaning,4-6
- Error Sources,2-6
 - Lead Wire,2-7
 - Output Impedance,2-7
 - Minimizing,2-6
 - Thermal,2-6
- External Symptom Troubleshooting,4-16
- Fluke Address,2-1
- Front and Rear Panel Features, 2-1
- Fuse Replacement,2-1
- Guarded Operation,2-5
- Input Power Requirements,2-1
- Installation,2-1
- Internal Voltage Measurements,4-16
- Long Term Stability,2-7
- Output Short Recovery,1-1
- Oven Temperature Thermistor Nominal Value,2-6
- Rack-Mounting (see installation)
- Service,4-1
- Service Centers,7-1
- Shipping Information,2-1
- Specifications,1-1, 1-2, 1-3
- Stability (see long term stability)
- Supply Power,1-1
- Temperature Range,1-1
- Transit Case Option,6-1
- Transportation,2-1
- Troubleshooting,4-14